

YD-E SX

ADVANCED VRM DESIGN

この度はヨコモ製R/Cカーキットをお買い求め頂き、誠に有り難うございます。このキットは、ワールドチャンピオン メーカーであるヨコモの高性能・競技用R/Cカーです。本説明書に従った正しい組立・安全な走行をして頂ければ、誰でも手軽に楽しむことができます。

Thank you for purchasing this Yokomo product. This high performance competition kit has been proudly manufactured by Yokomo - World Champion R/C car manufacturer. Proper assembly of this product will provide fun, safe enjoyment.

R/C カーを安全に楽しんで頂くための 注意事項

お子様(中学生以下)が 組立・走行する際は、必ず保護者の方が付き添い 安全を確認して下さい。

組立の注意

- 幼児のいる場所では組み立てないで下さい。小さな部品を飲み込む等、非常に危険です。
- 組立の前に必ず内容をお確かめ下さい。万一不良部品、不足部品などがあった場合は、ヨコモ アフターサービス部までお問い合わせ下さい。
- 組立の前に説明書を最後まで読み、全体の流れをつかむと効率的な組立が出来ます。
- 組み立てる際は、様々な工具が必要になります。安全の為に必ず作業内容に合った工具を使用して下さい。又、カッターナイフ等を使用する際は危険を伴いますので、注意して下さい。
- 部品には様々な素材を使用しています。切削加工された金属パーツ等はエッジが鋭く、慎重な組立が必要となります。ケガをしないように注意して下さい。
- プラスチックパーツなどを切断する際は、切断した部品が飛び危険があるので注意して下さい。
- 回転部や駆動部は出来るだけスムーズに動作するように組み立てて下さい。
- 配線やコード類はきれいにまとめて下さい。回転部分や走行路面にコードが接触すると危険です。又、配線は確実に接続されていないとショートなどの恐れや、性能を十分に発揮出来ない場合があります。
- 必要以上の分解、改造をすると、安全性が低下したり走行性能が十分に発揮出来なくなる場合があります。
- 塗装は、周囲に火気の無いことを確認し、換気の良い場所で行って下さい。

走行の注意

- ヨコモ製R/Cカーは競技用の為、時速40kmを超える速いスピードが出るモデルもあります。ルールを守って安全な場所や、R/Cカー用サーキットで走らせて下さい。
- 公道等、周囲の人の迷惑になるような場所では絶対に走らせないで下さい。
- R/Cカーは電波を利用する為、何らかのトラブルで最悪の場合は暴走する事があります。狭い場所や室内は避け、出来るだけ広い、障害物のない場所で走らせて下さい。
- 周囲にR/Cカーを走らせている人がいる場合は、電波が重ならないように、周波数を確認し合せて、安全を確かめて下さい。
- R/Cカーは水を嫌います。雨の日や、水たまりのある場所で走らせると、R/Cメカが壊れたり、暴走する危険があります。
- R/Cカーの駆動部分、ギヤやベルト、タイヤなどは高回転で回ります。バッテリーを接続した後は危険ですので、回転部分に手を触れないで下さい。
- 走行後のR/Cカーは各部が高温になる事があります。危険ですので冷却期間をおいてから、メンテナンスなどをして下さい。

走らせる手順

- ①タイヤが空転するように、台の上にR/Cカーを置きます。
- ②スピードコントローラのスイッチがOFFになっている事を確認してから、モーターとバッテリーを接続します。
- ③送信機のアンテナを伸ばし、スイッチをONにします。(送信機の電圧が下がっていると危険です。常に電圧の高い状態で使用して下さい。)
- ④受信機のスイッチをONにします。

走行終了手順

- ①スピードコントローラのスイッチをOFFにします。
- ②バッテリーの接続を外します。
- ③送信機のスイッチをOFFにし、アンテナを縮めます。

バッテリーの取り扱い

(バッテリーに付属の説明書に基づき使用して下さい。)

- バッテリーを充電する際は、周囲に燃えやすい物のない安全な場所で行って下さい。又、高温な場所での充電も避けて下さい。
- バッテリーの充電中は充電状況を常に確認して下さい。充電器の誤動作などで過充電すると、最悪の場合は発火する危険性があります。バッテリー温度が50度を越えたら充電を中止して下さい。
- 走行後のバッテリーは高い温度になります。連続使用するとバッテリーを傷める事になりますので、冷却期間を置いてから充電して下さい。又、走行後のバッテリーはコンディション放電する事によって、性能を持続させる事が出来ます。
- 不要になったバッテリーは一般のゴミと一緒に捨てず、お手数でも電池専用の回収箱に捨てて下さい。

モーターの取り扱い

(モーターに付属の説明書に基づき使用して下さい。)

- 7.2Vのバッテリーでモーターのから回しをすると危険です。モーター内部を破損し部品が飛び出す事も考えられますので、もしモーターのブレークインをする時は、モーターをしっかり固定し3~5V程度でから回して下さい。
- モーターは定期的なメンテナンスが必要です。劣化するとスピードが出なくなったり、走行時間が短くなります。定期的なクリーニングしたり、ブラシが減ってきたら交換する等のメンテナンスをして下さい。
- モーターの性能に合ったギヤ比を選択して下さい。ギヤ比が最適でないとモーターの性能を十分に発揮出来ないだけでなく、他のR/Cメカを壊す原因にもなります。
- 走行後のモーターは非常に高い温度になります。連続走行するとモーターを傷める事になりますので、冷却期間を置いてから走行してして下さい。

PRECAUTIONS FOR SAFE ENJOYMENT OF YOUR R/C CAR

For children under the age of 13, parental guidance is recommended when running.

ASSEMBLY PRECAUTIONS

- Do not assemble around small children. The parts can be dangerous if accidentally swallowed.
- Check the contents carefully before assembly. Please contact Customer Support if you happen to notice any defective or missing items.
- You will find the assembly process much easier by carefully reading through the manual, and familiarizing yourself with the instructions.
- Many different tools are required during assembly. For safety purposes, please use suitable tools. Exercise extra caution when using a sharp tool such as a hobby knife.
- Many different materials are used for the parts. Use extra care when handling parts with sharp edges, such as machined metal parts.
- When cutting plastic parts, watch for any flying parts.
- Try to assemble any rotating parts or drivetrain parts as smooth as possible.
- Bundle wires neatly away from the ground or any moving drivetrain components. Make sure that all wires are properly connected to prevent shorting.
- Unnecessary modifications may be unsafe and hinder performance.
- Always paint in a well ventilated area away from flames.

PRECAUTIONS BEFORE RUNNING

- Yokomo R/C cars are built for competition use, and some models may exceed speeds of 40km per hour. Practice common sense and run the car in open safe places, or R/C car tracks.
- Do not run the car on public roads with high amounts of traffic, or in areas that may cause an inconvenience to people in that area.
- R/C cars are controlled using a radio frequency. In a worst-case scenario, radio interferences may cause loss of control.
- If others near you are running R/C cars, confirm that they are not running on the same frequency.
- R/C cars do not like water. Avoid running on rainy days, or areas with water puddles. Exposure of the electronics to water may cause loss of control or damage to the electronics.
- The drivetrain of an R/C car consists of many moving parts like gears, belts, shafts, and tires. Avoid touching these areas when the battery is connected.
- Many parts of an R/C car will become hot after running. Allow the parts to sufficiently cool before conducting any maintenance.

BEGINNING A RUN

- ①Place the R/C car on a stand so the wheels are off the ground.
- ②Confirm that the speed controller switch is OFF, and connect the motor and battery.
- ③Extend the transmitter antenna and turn the switch ON. (It is unsafe to use a transmitter with low voltage. Make sure that the transmitter batteries are good before running.)
- ④Turn the speed controller switch ON.

FINISHING A RUN

- ①Turn the speed controller switch OFF.
- ②Disconnect the battery.
- ③Turn the transmitter switch OFF, and retract the antenna.

BATTERY USAGE

(Carefully read the instruction included with the batteries.)

- When charging batteries, make sure that the surrounding area is void of anything highly flammable. Also avoid charging in high-temperature locations.
- When charging batteries, frequently monitor the charging it catch on fire. If the battery reaches 50 degrees Celcius or more, stop charging.
- Batteries will become hot after running. Continuous use of the battery pack may result in damage to the cells. Allow the battery too cool down before re-charging. Using a battery conditioner after running may prolong the life and performance of the battery.
- Please do not discard old battery packs in the trash. Although inconvenient, please locate a battery disposal center.

MOTOR USAGE

(Carefully read the instruction included with the motor.)

- Connecting a 7.2V battery directly to the motor can be very dangerous. This may cause the internal parts of the motor to break apart, causing some parts to fly out of the motor. To break-in the motor, safely secure the motor and run the motor at about 3-5V.
- Motors require periodic maintenance. Slower speeds and decreased run times may indicate a worn-out motor. Periodically clean the motor and change the brushes when needed.
- Choose a gear ratio that matches the power characteristics of the motor. Using a gear ratio unsuited to the characteristics of the motor will not only prevent the motor from performing at its optimum, but may even cause damage to the other electronics.
- Motors will generally become very hot after running. Continuous running will reduce the life of the motor. Allow the motor to sufficiently cool between each run.

【組み立てに必要な物】

ACCESSORIES AND TOOLS NEEDED FOR [DRIFT PACKAGE YD-ZSX] ASSEMBLY

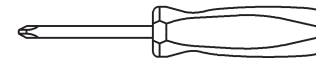
■ 走行の為に別にお買い求め頂く物 ■

ADDITIONAL ITEMS REQUIRED FOR USE (NOT INCLUDED IN KIT)

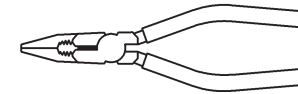
- 2チャンネルプロポ (1サーボ 1アンプ仕様)
**TWO CHANNEL R/C SURFACE RADIO SYSTEM
AND ELECTRONIC SPEED CONTROL**
- 走行用パックバッテリー(ショートサイズ)
PACK BATTERY (Short size)
- 走行用バッテリー充電器
BATTERY CHARGER
- 走行用モーター
MOTOR
- タイヤ&ホイール(タイヤ付キットは不要)
TIRES & WHEEL
- 走行用ボディー(ボディー付キットは不要)
BODY
- ボディー塗装用カラー
BODY SPRAY PAINT

■ 別途用意する工具 ■

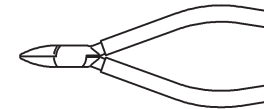
ASSEMBLING TOOLS REQUIRED (NOT INCLUDED IN KIT)



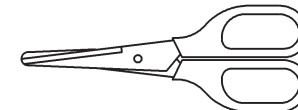
ドライバー (大,小)
SCREW DRIVER (SMALL & LARGE)



ラジオペンチ
NEEDLE NOSE PLIERS



ニッパー
SIDE CUTTER



ハサミ
SCISSORS



カッター
HOBBY KNIFE

■ キットに入っている工具 ■

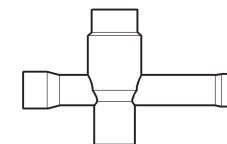
TOOLS (INCLUDED)



六角レンチ
ALLEN WRENCH
(1.5 & 2.0 & 3.0 mm)



ターンバックルレンチ
TURNBUCLE WRENCH



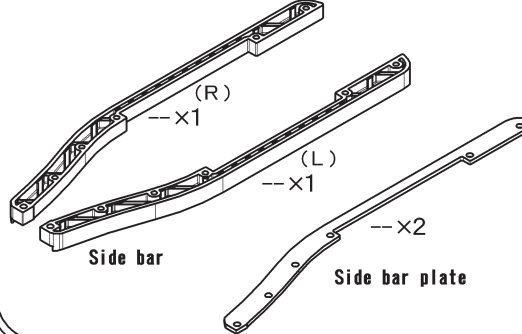
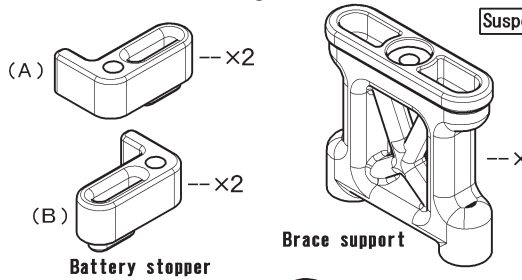
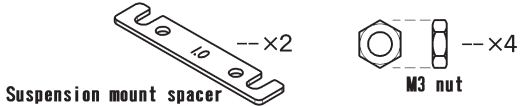
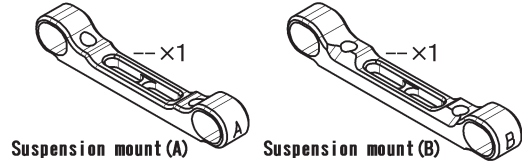
十字レンチ
NUT WRENCH

**[DRIFT PACKAGE YD-2SX]の性能を十分に発揮させる
為にイラストを良く参照し説明の順番に従って確実に組み上げて下さい。**

**For assembly, follow the figures and the instructions closely so
that your [DRIFT PACKAGE YD-ZSX] will perform at its best!!**

[Bag-1 Contents]

M3x8 FH screw --x14 M3x10 FH screw --x2 M3x14 FH screw --x4



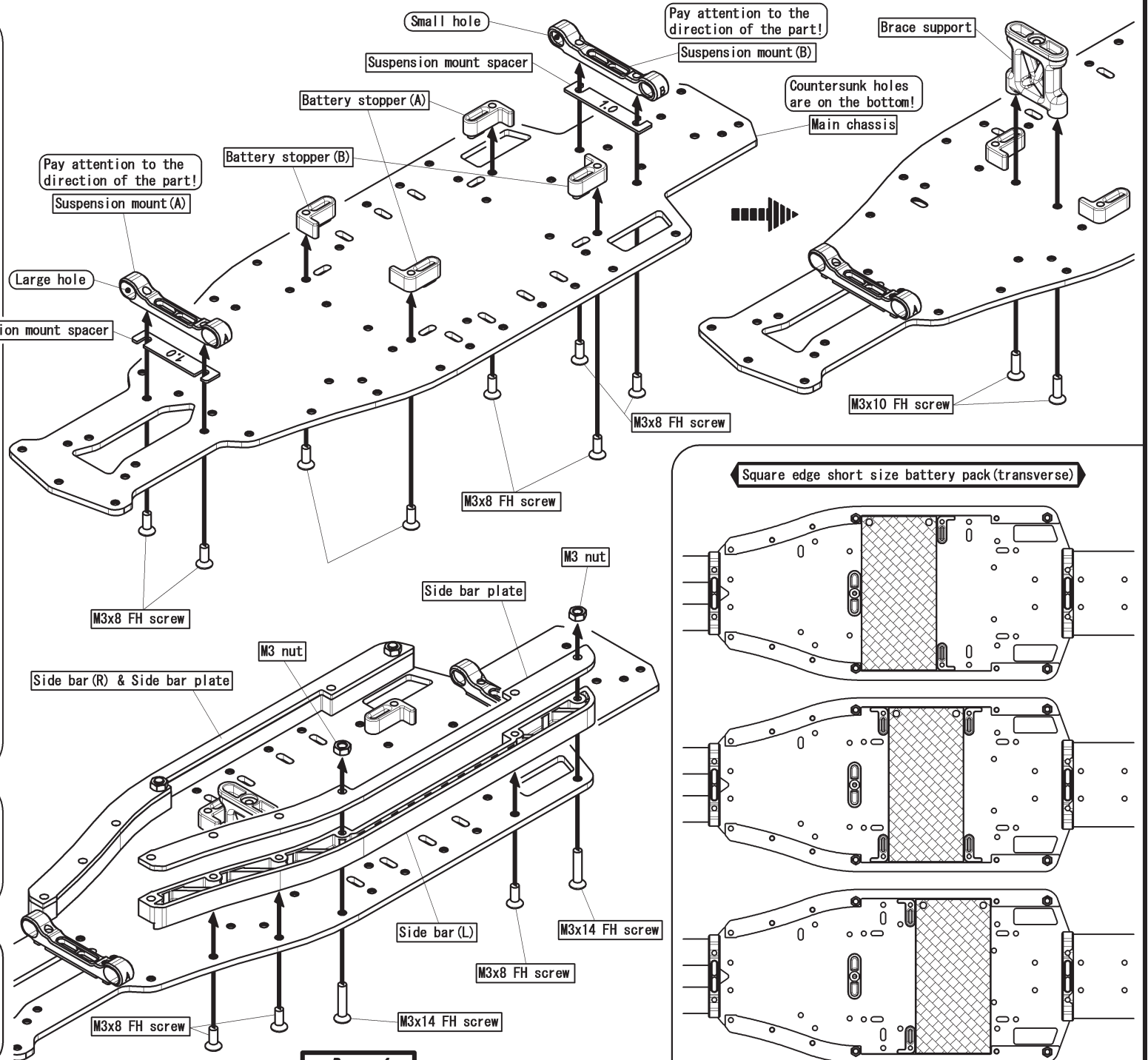
[Tool Bag Contents]

--x1 Allen key (1.5mm & 2.0mm)

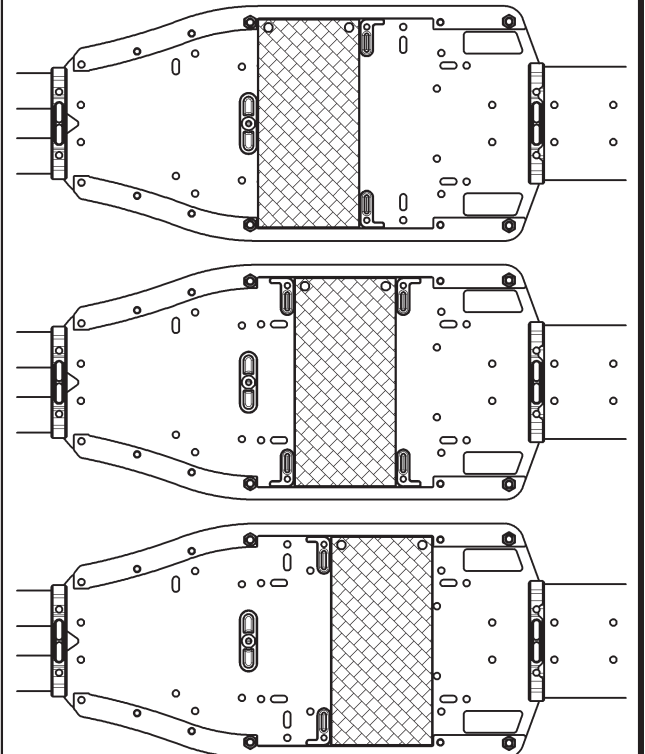
Also included: Nut wrench, Turnbuckle wrench

All of the 3mm set screws included in this kit are allen head set screws. To tighten, please use a 2.0mm allen wrench or the 2.0mm allen key included in this kit.

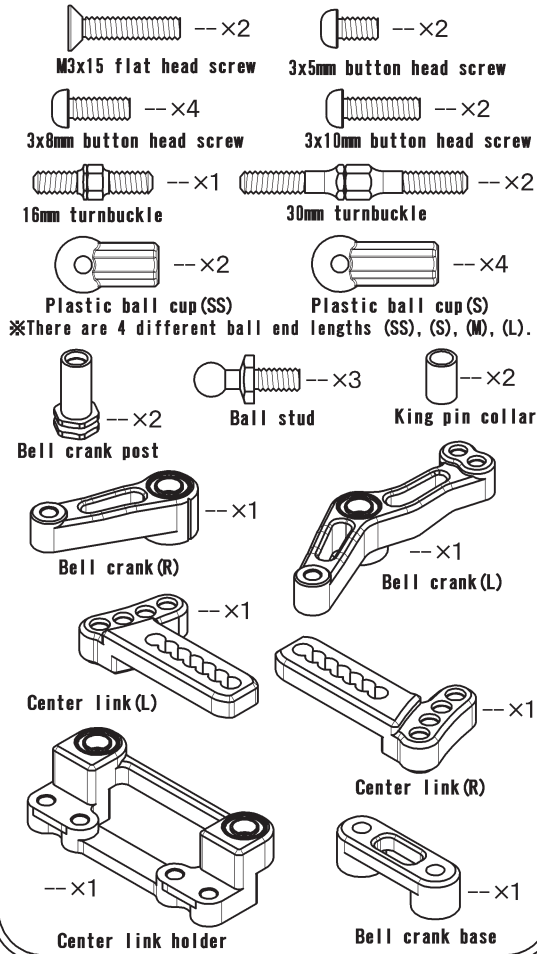
If you happen to find the 2.0mm allen key difficult to use, an optional 2.0mm allen wrench from Yokomo is available. Part no. YT-20W



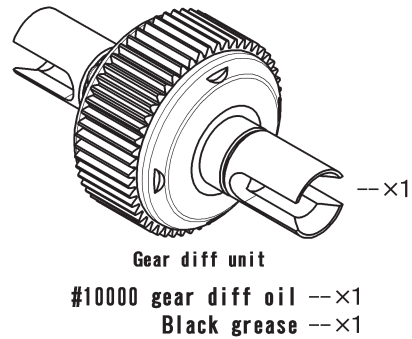
Square edge short size battery pack (transverse)



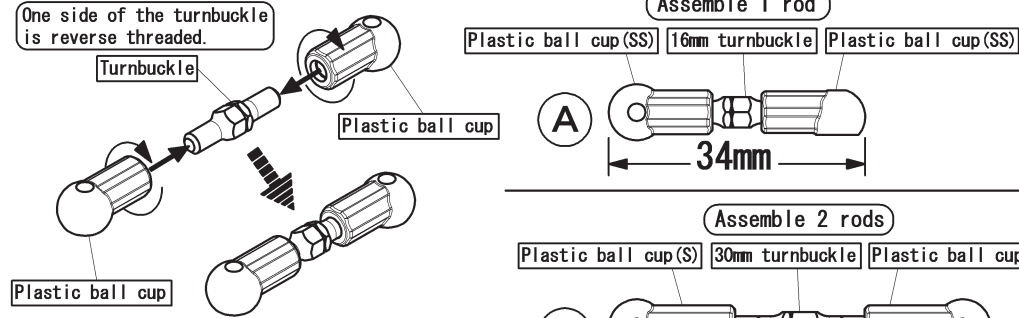
[Bag-2 Contents]



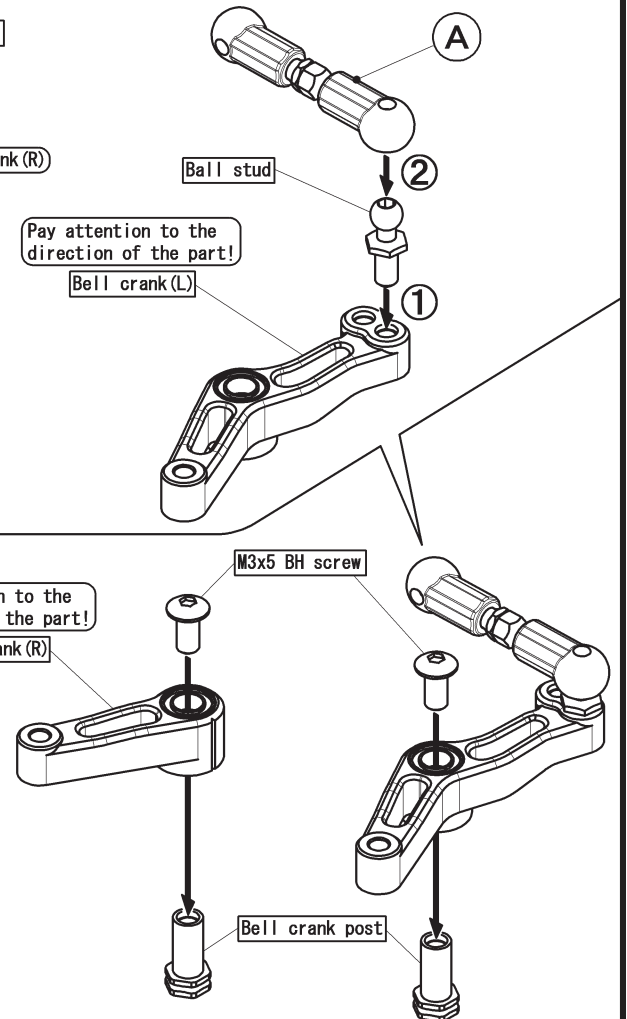
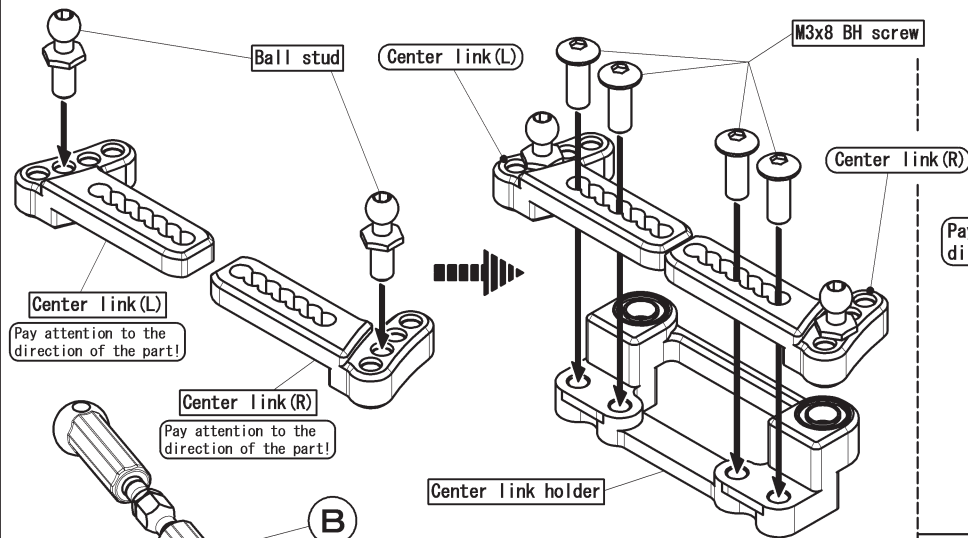
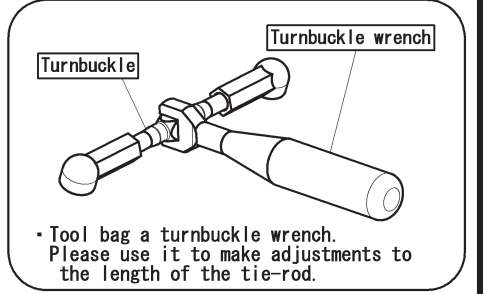
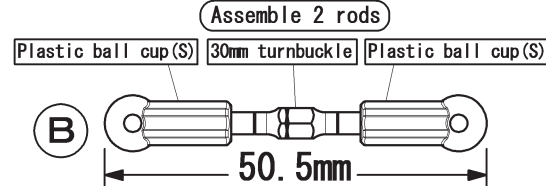
[Bag-3 Contents]

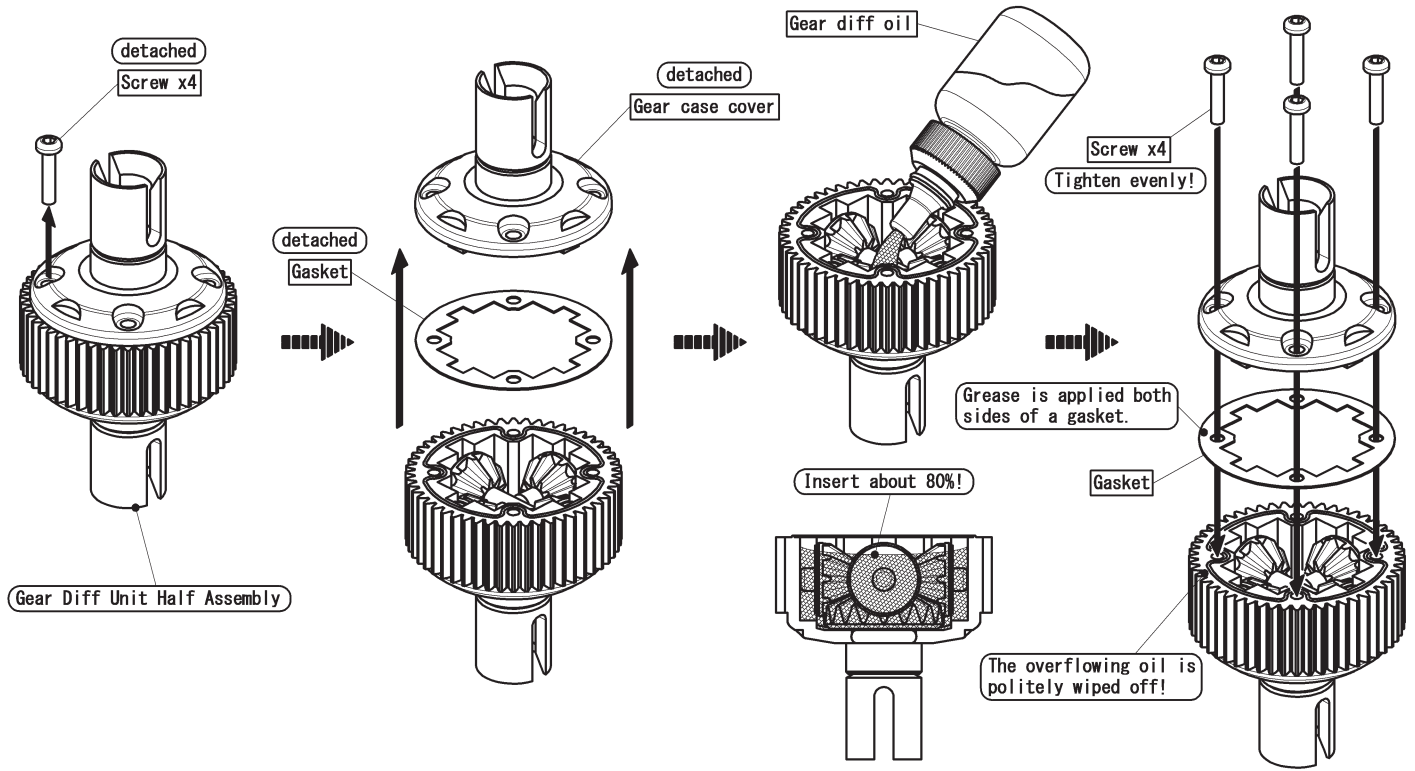
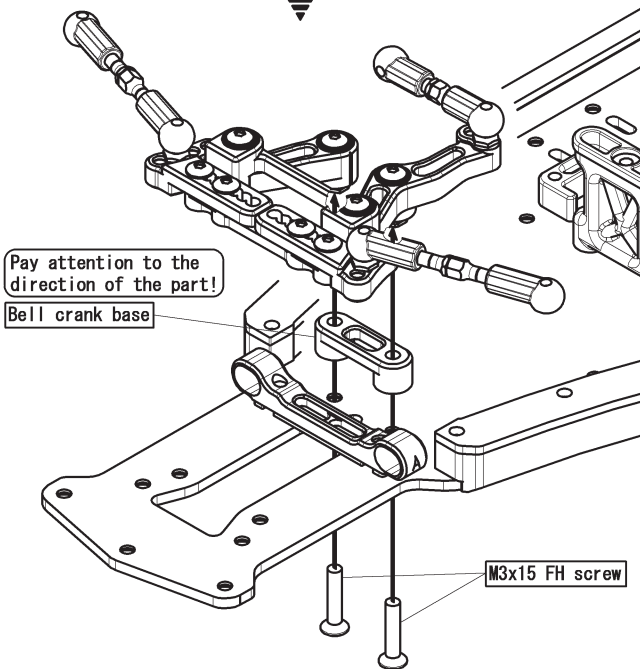
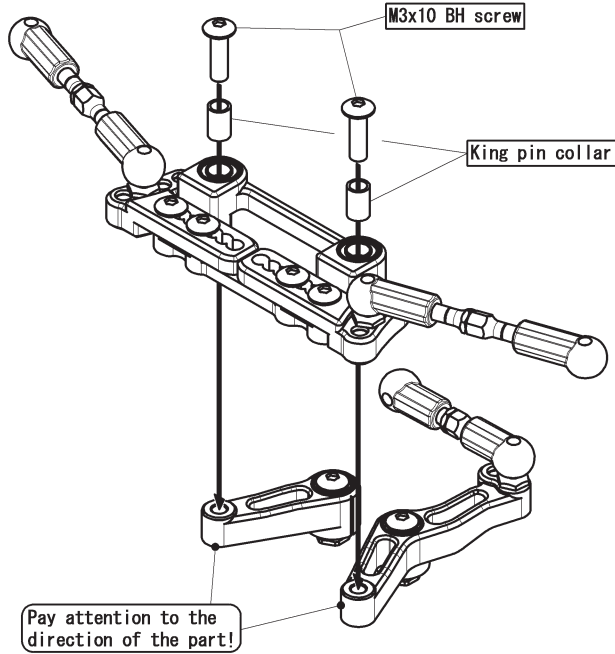


One side of the turnbuckle is reverse threaded.



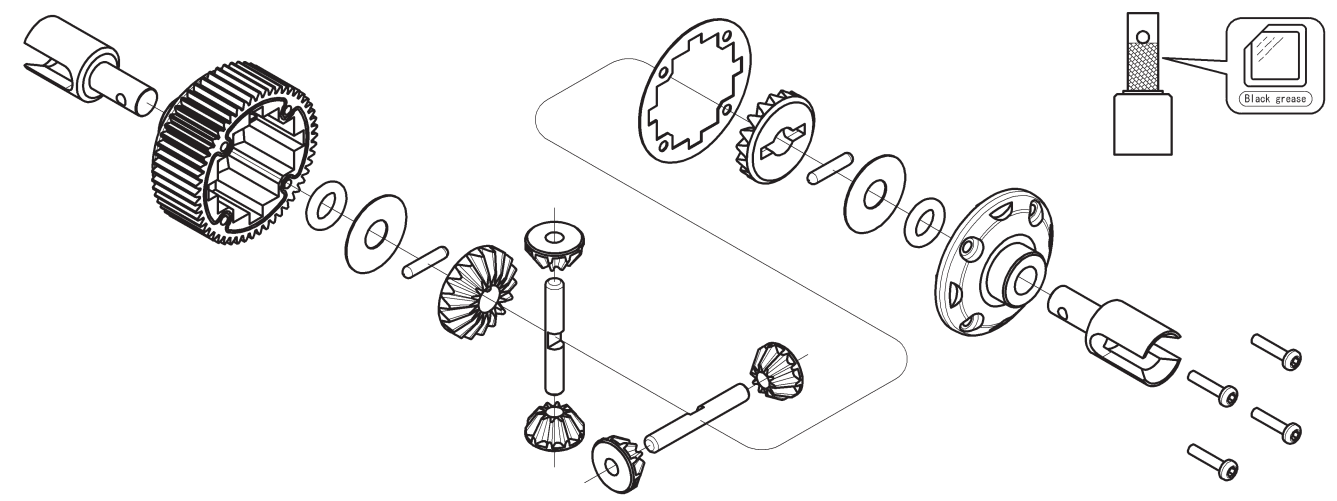
Assemble the tie-rod by attaching a plastic ball cup to both ends of the turnbuckle.



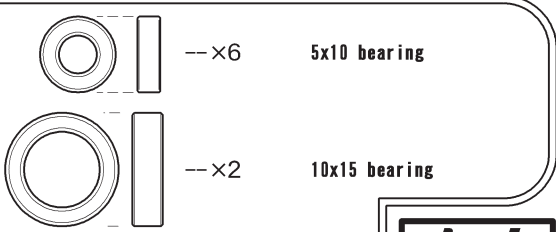
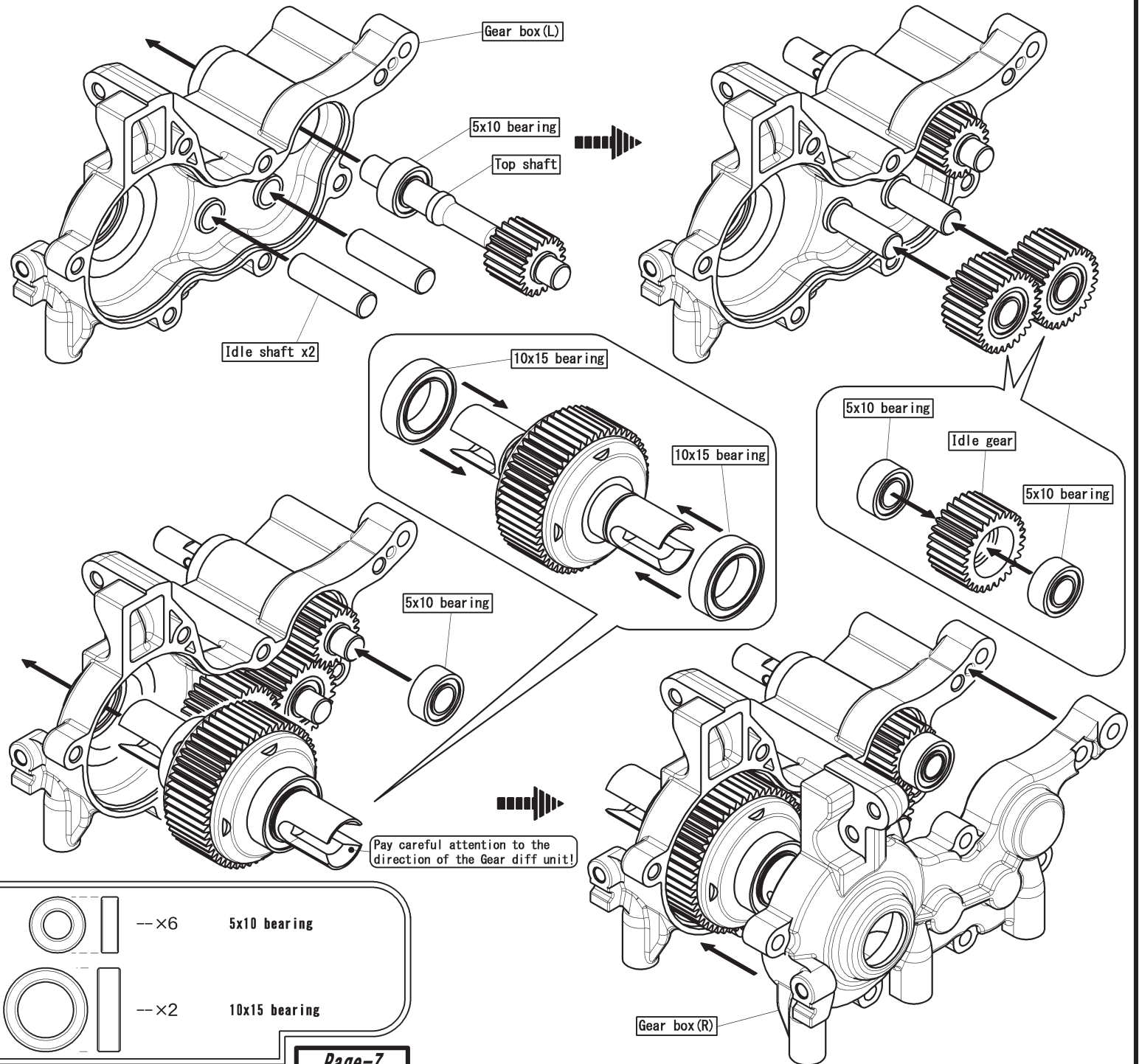
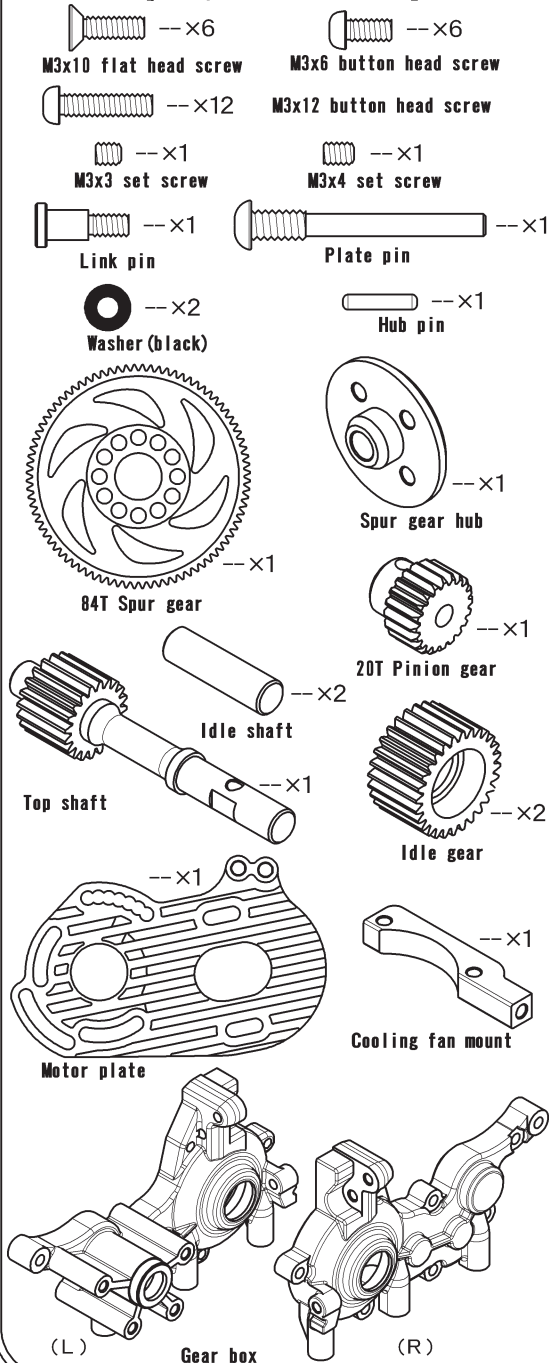


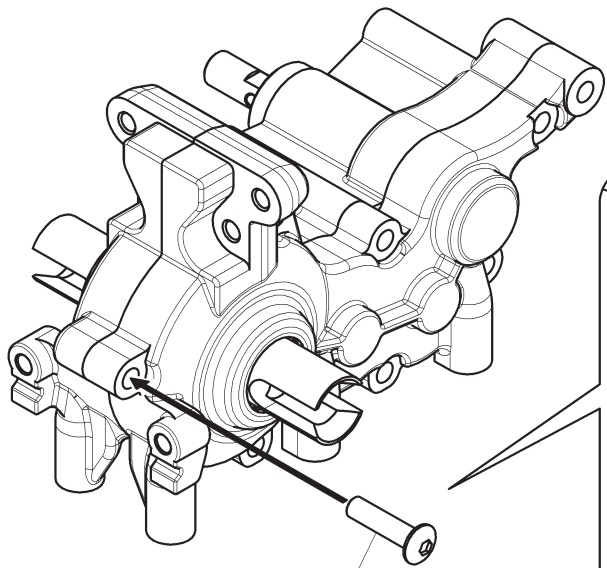
Gear Diff Unit Deal Drawing Perform when maintenance is required.

Important!
Grease is thinly put up and it assembles it again when resolving it.

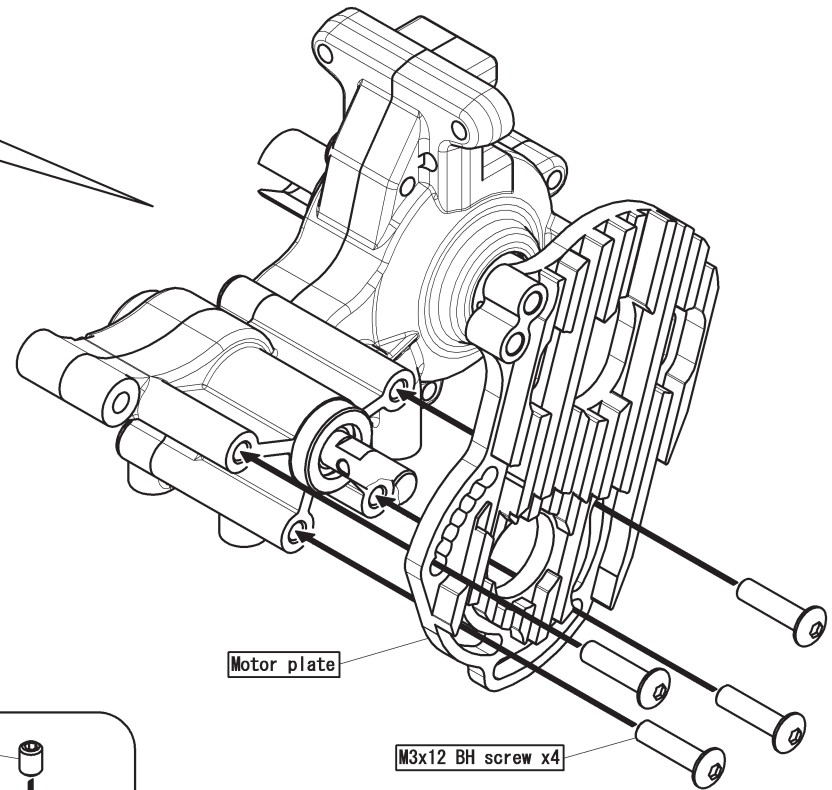
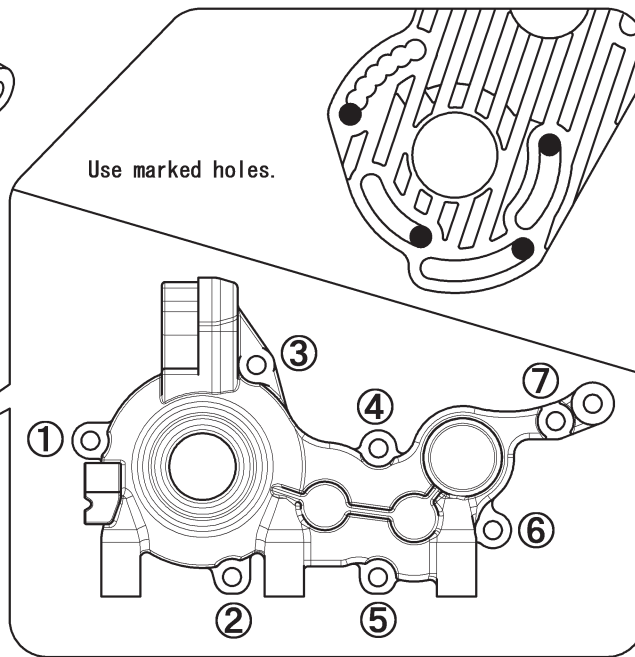


[Bag-4 Contents]



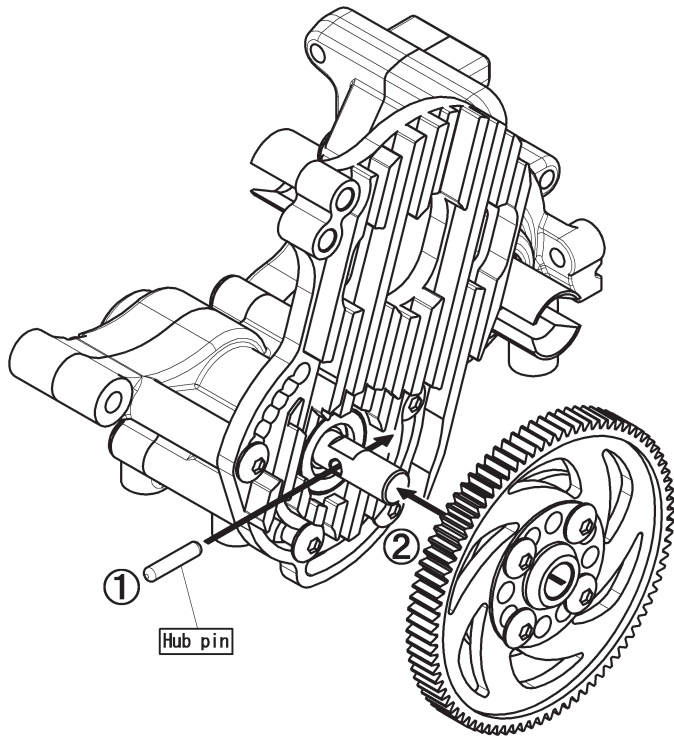


M3x12 BH screw x7

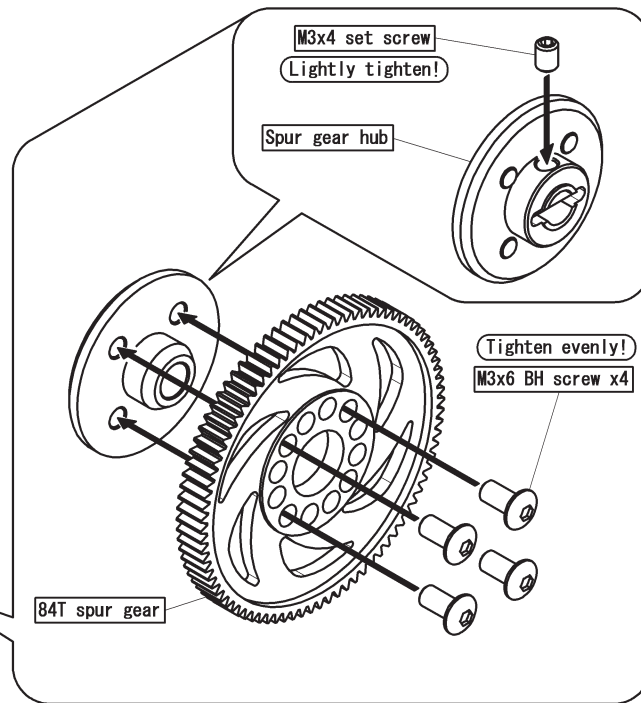


Motor plate

M3x12 BH screw x4

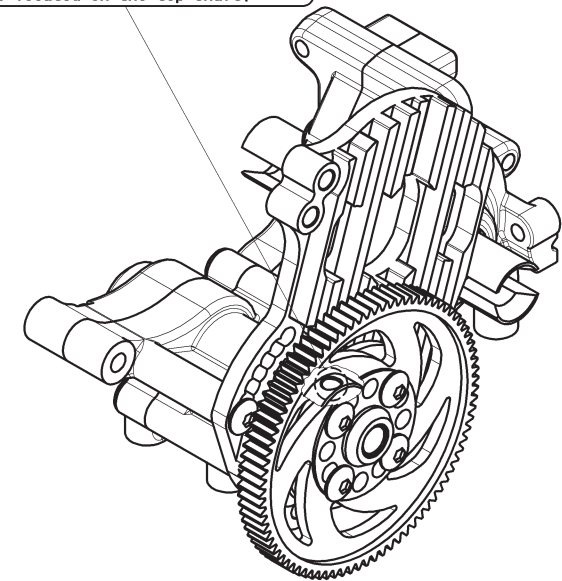


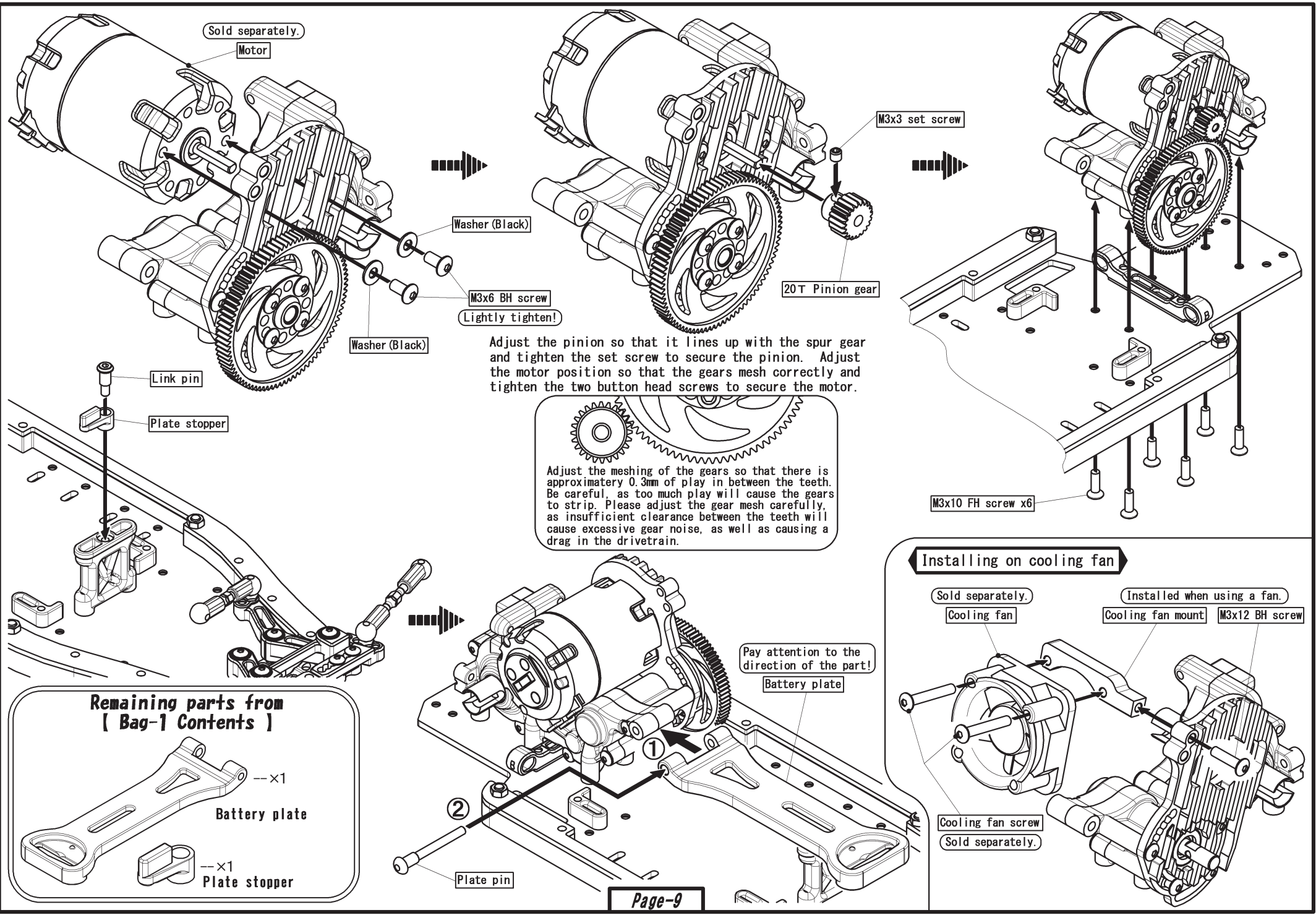
Hub pin



84T spur gear

Make sure to tighten the set screw where the flat spot is located on the top shaft!





Sold separately.

Motor

M3x3 set screw

Washer (Black)

M3x6 BH screw

(Lightly tighten!)

20T Pinion gear

Washer (Black)

Adjust the pinion so that it lines up with the spur gear and tighten the set screw to secure the pinion. Adjust the motor position so that the gears mesh correctly and tighten the two button head screws to secure the motor.

Link pin

Plate stopper

Adjust the meshing of the gears so that there is approximately 0.3mm of play in between the teeth. Be careful, as too much play will cause the gears to strip. Please adjust the gear mesh carefully, as insufficient clearance between the teeth will cause excessive gear noise, as well as causing a drag in the drivetrain.

M3x10 FH screw x6

Installing on cooling fan

Sold separately.

Cooling fan

Installed when using a fan.

Cooling fan mount

M3x12 BH screw

Pay attention to the direction of the part!

Battery plate

Remaining parts from [Bag-1 Contents]

--x1

Battery plate






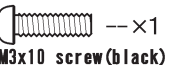



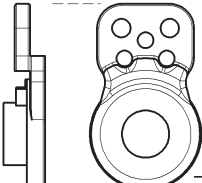


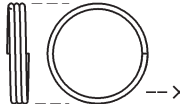

--x1

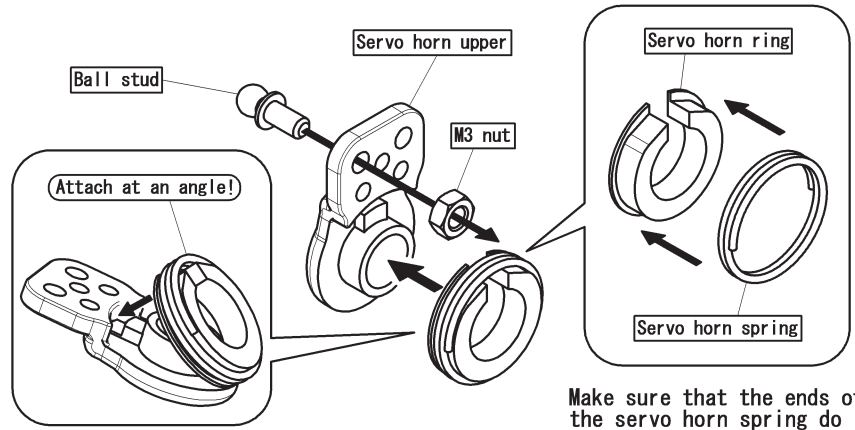
Plate stopper

②

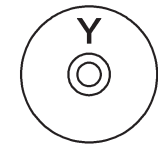
Plate pin

[Bag-5 Contents]

-  --x2 M3x8 flat head screw
-  --x2 M3x8 button head screw
-  --x1 M3 nut
-  --x1 Ball stud
-  --x2 Washer (black)
-  --x1 M3x10 screw (black)
-  --x1 M3x10 tapping screw
-  --x1 M2.6x10 tapping screw
-  --x1 Servo horn plate
-  --x1 Servo horn upper
-  --x1 Servo horn ring
-  --x1 Servo horn lower
-  --x1 Servo horn spring
-  --x2 Servo mount

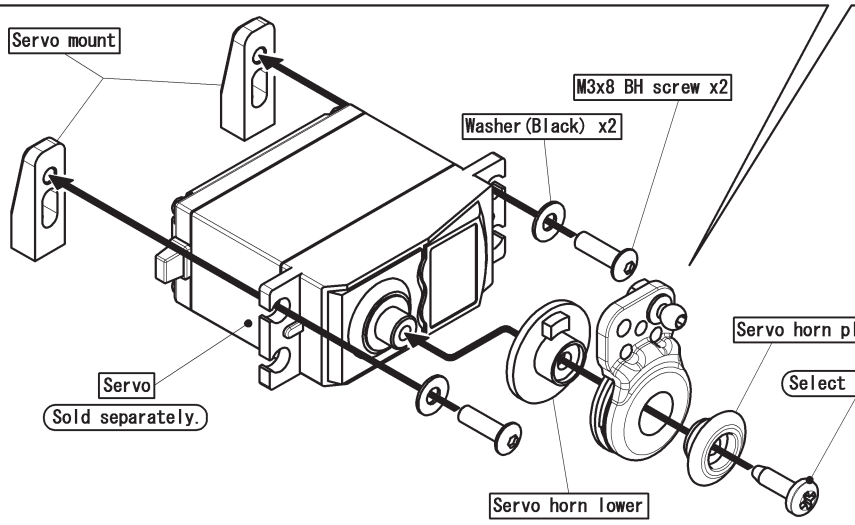
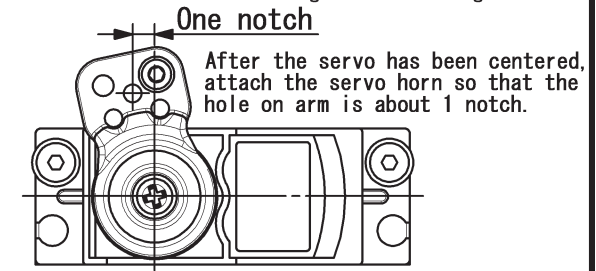


As shown in the illustration, attach the servo horn ring at an angle.



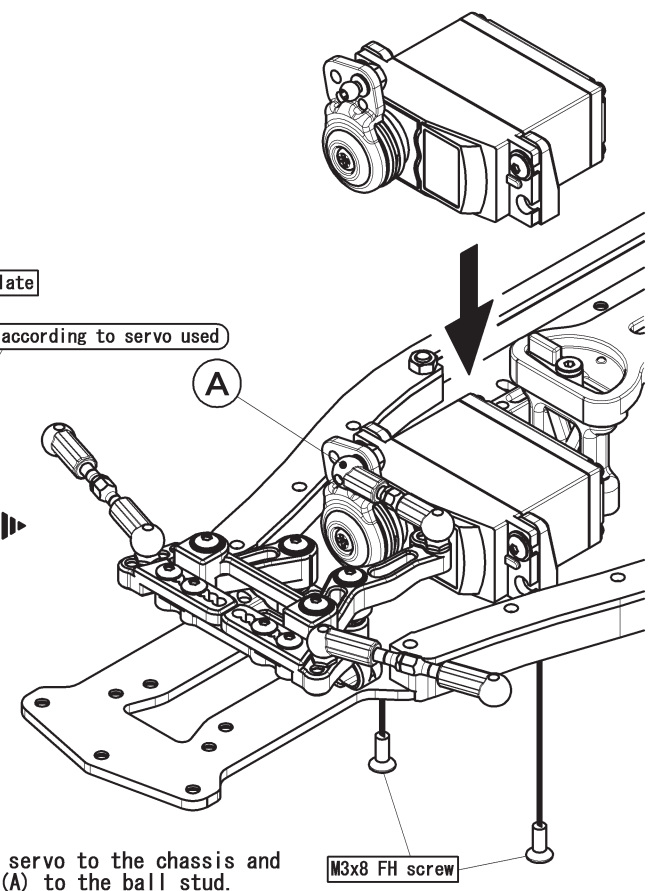
Mark	Manufacturer
Y	Yokomo S005
Y F	Yokomo S003, Futaba
J K S	Yokomo S008, JR, KO, Sanwa

The included servo horn lower are marked with a letter designating servo compatibility. Select the servo horn matching the servo being used.




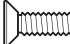






Important!

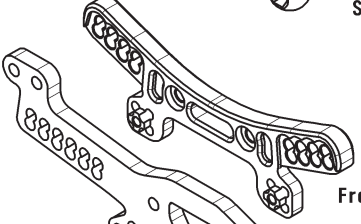
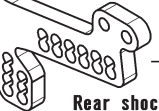

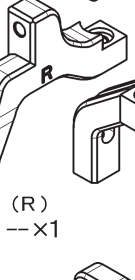
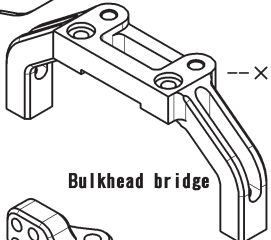
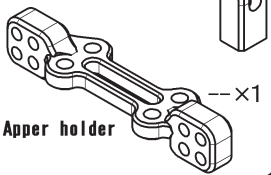
- ① Attach the servo horn to the servo using the same (or similar) screw included with the servo unit. (3 different screws are included in the kit: 2.6x10mm tapping screw, 3x10mm tapping screw, 3x10mm screw)
- ② Make sure that the servo is centered before attaching the servo horn lower. (Refer to your radio manual for more information.)
- ③ Kit includes 3 servo horns. Select the servo horn designated for use with the servo being used. (Using an incorrect servo horn may result in damage to the servo.)



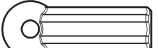

Install the servo to the chassis and attach rod (A) to the ball stud.

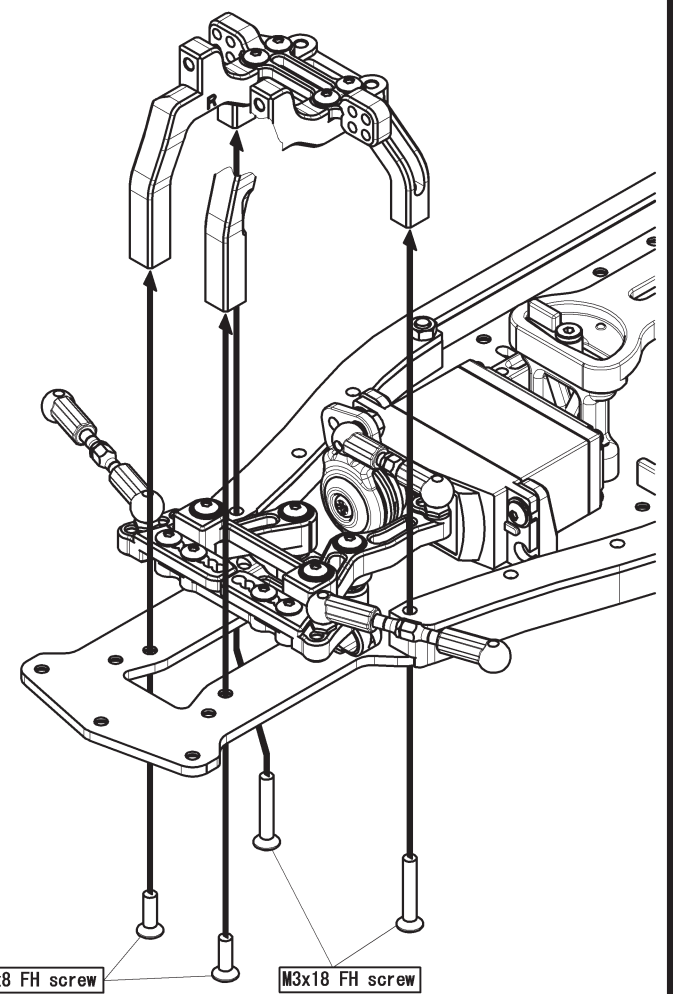
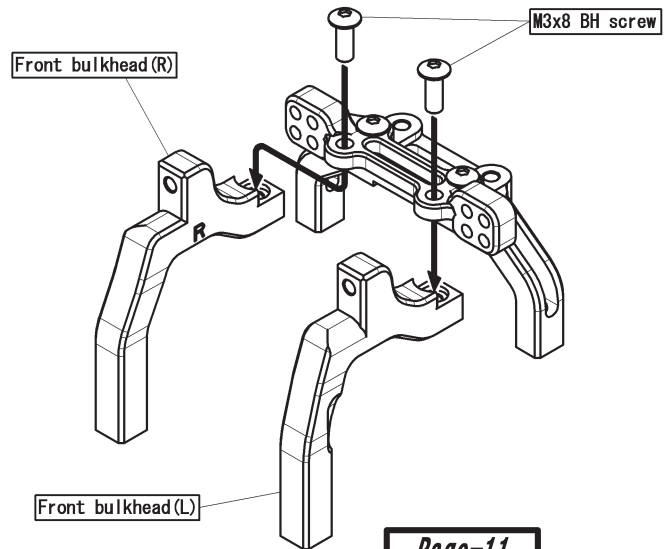
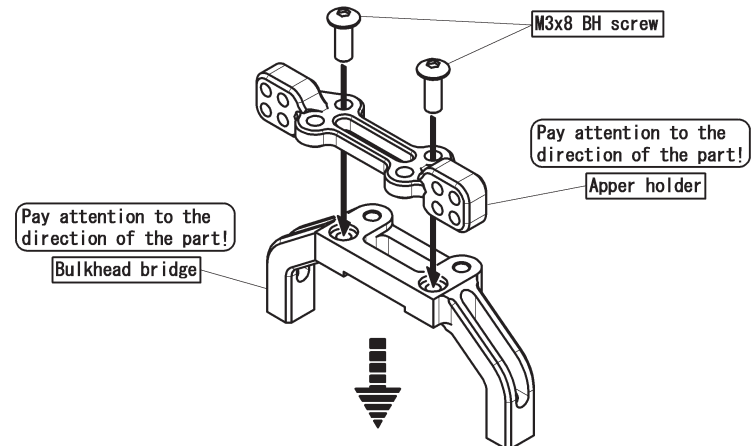
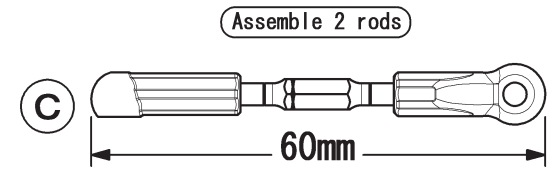
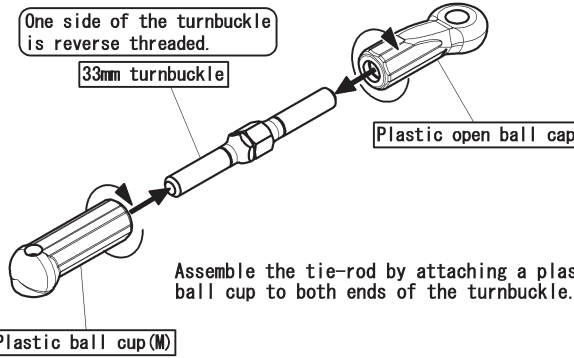
[Bag-6 Contents]

-  --x2
-  --x2
-  --x4
-  --x10
-  --x2
-  --x2
-  --x2
-  --x4

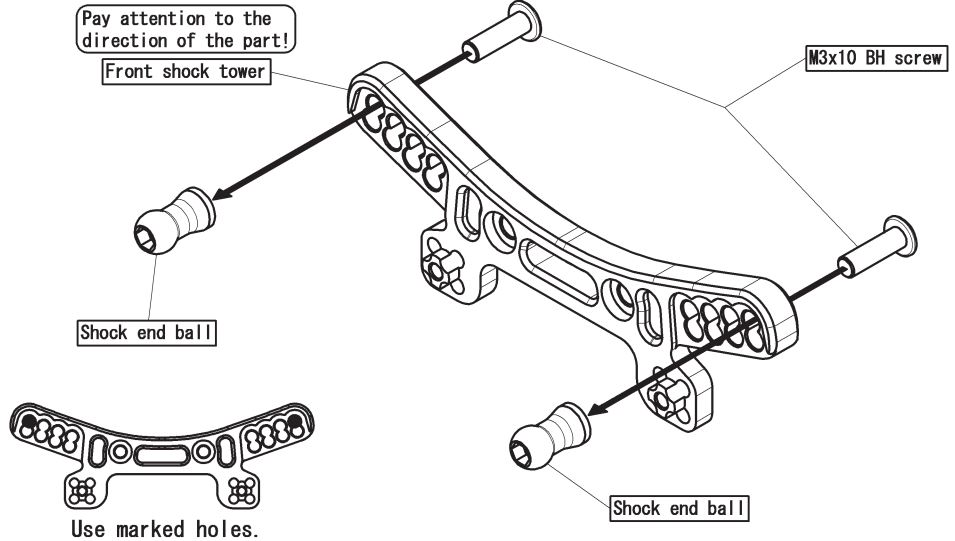
-  --x1
-  --x1
-  --x1
-  --x1
-  --x1
-  --x1

Remaining parts from [Bag-2 Contents]

-  --x2
-  --x2

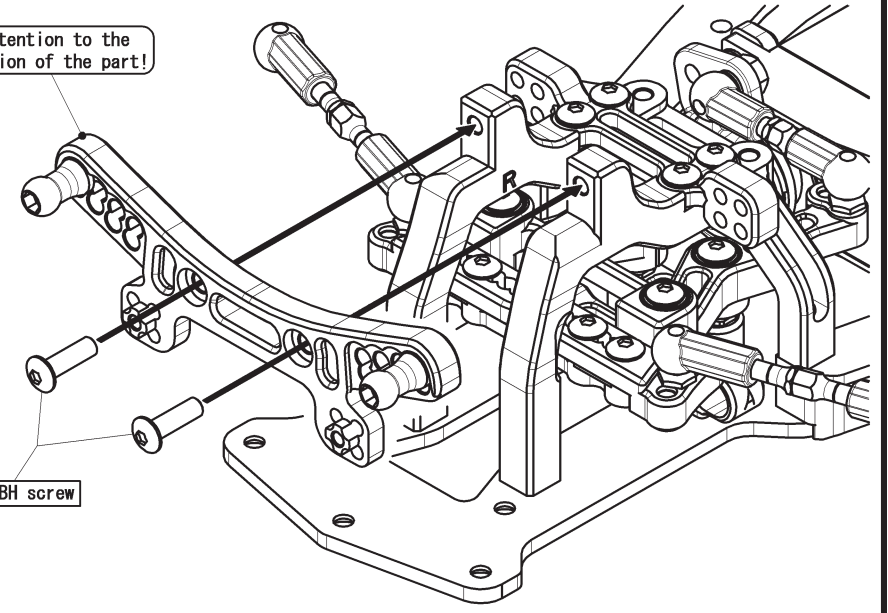


Installing on front shock tower

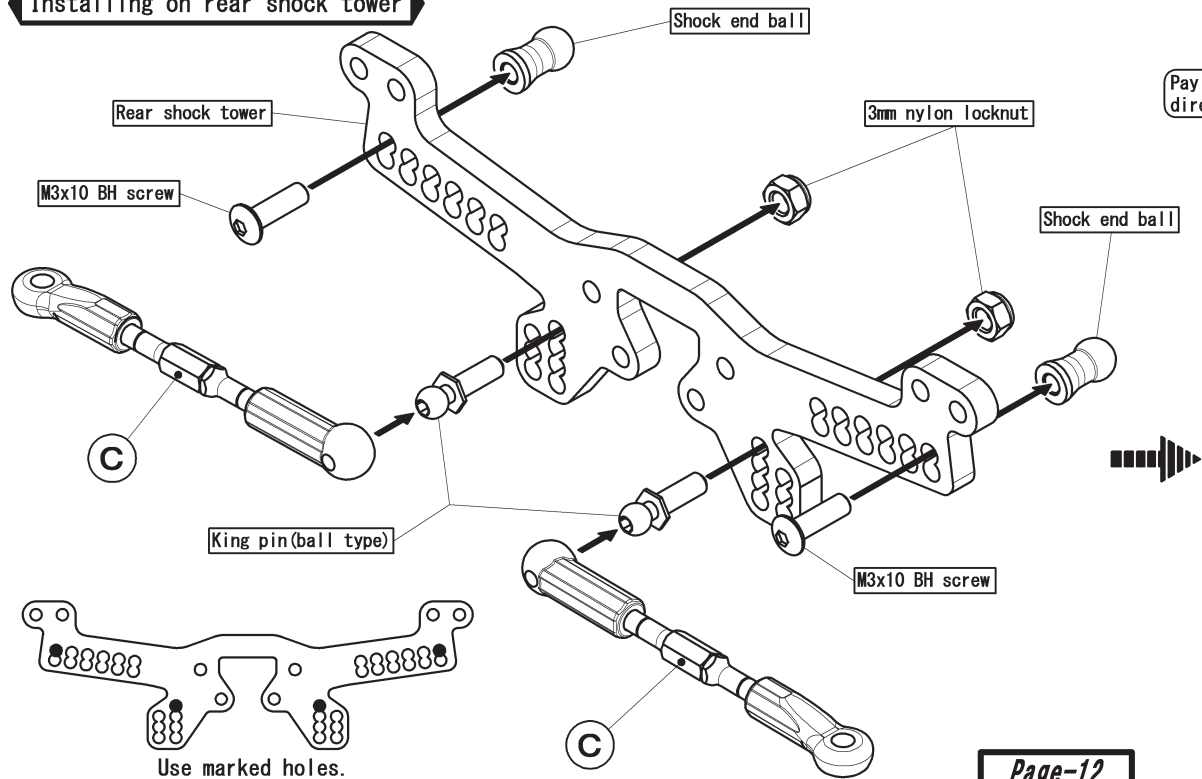


Pay attention to the direction of the part!

M3x10 BH screw

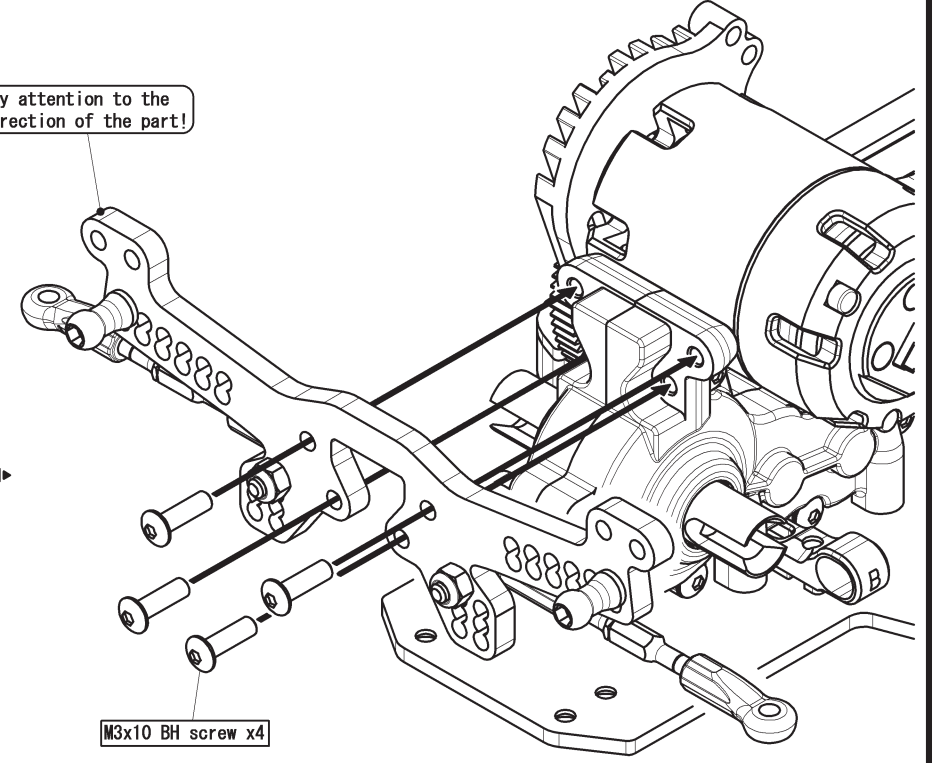


Installing on rear shock tower

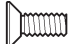
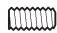




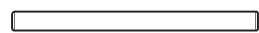

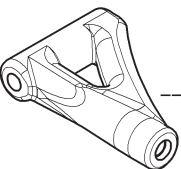
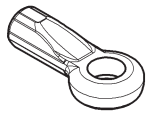

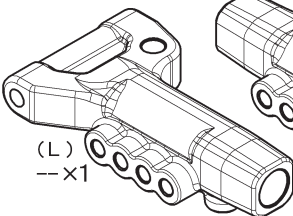
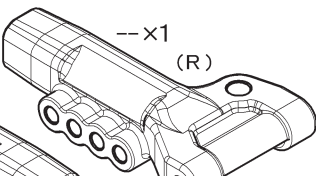


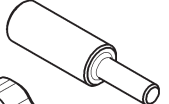
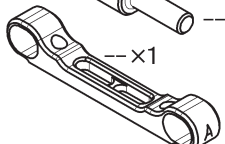
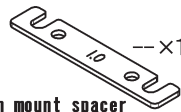



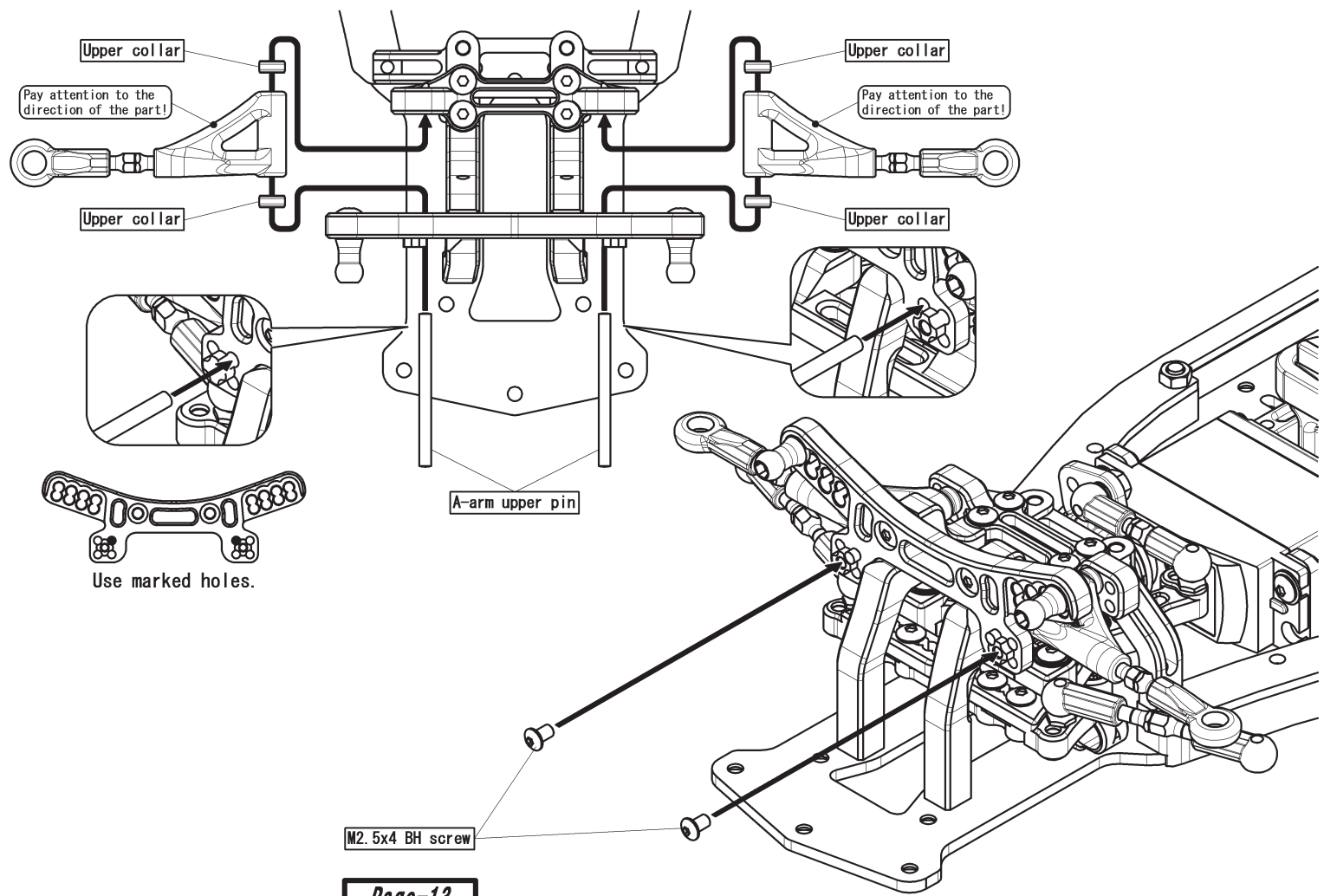
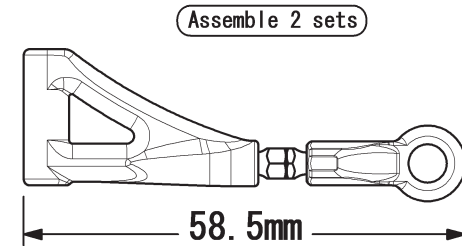
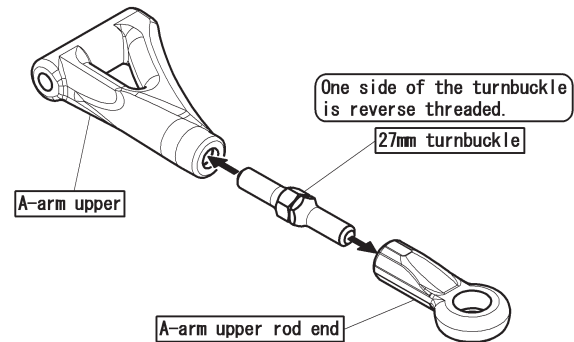
Pay attention to the direction of the part!

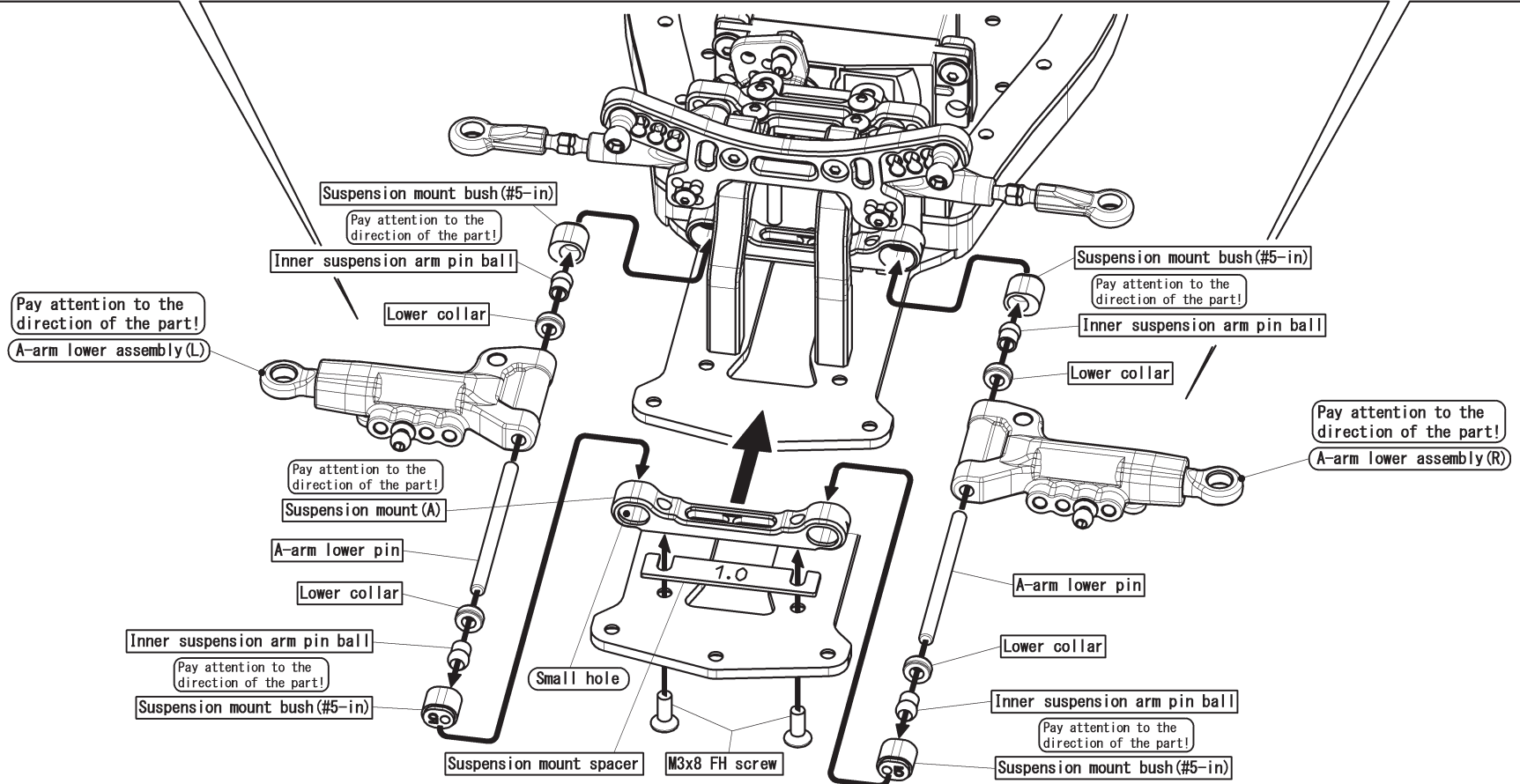
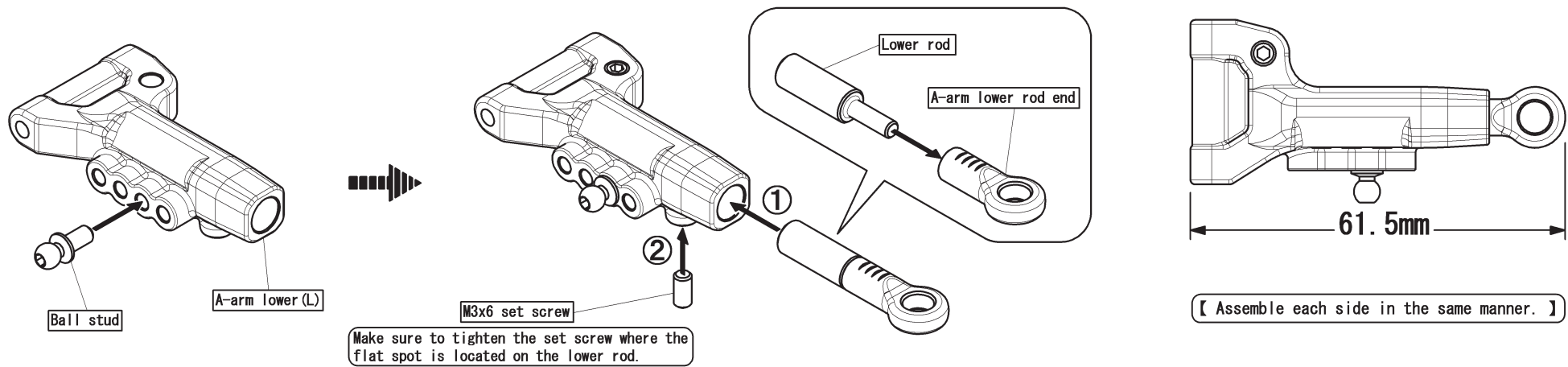
M3x10 BH screw x4







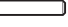



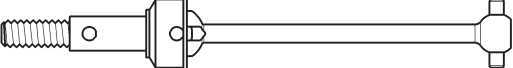




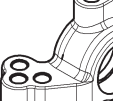
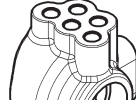
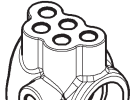


[Bag-7 Contents]

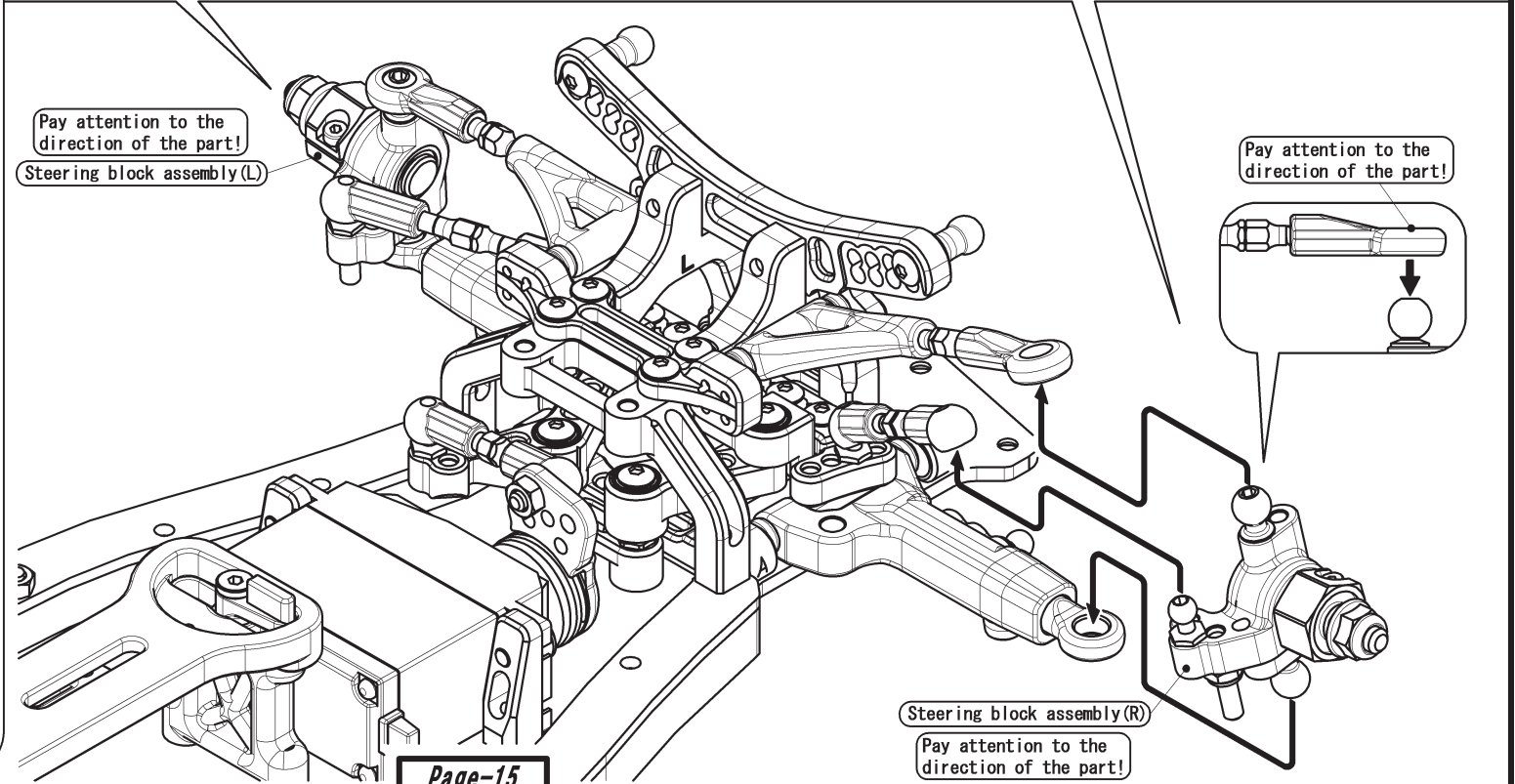
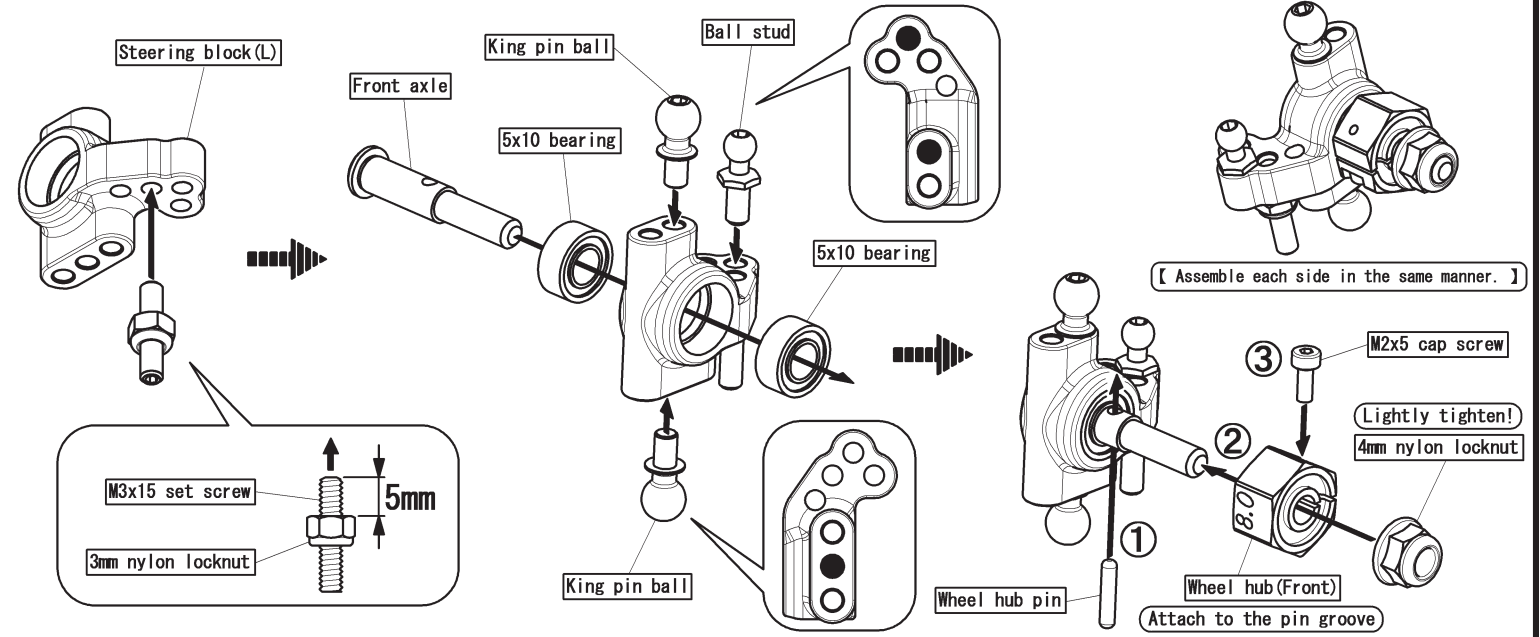
-  --x2 M3x8 flat head screw
-  --x2 M3x6 set screw
-  --x2 M2.5x4 button head screw
-  --x2 Ball stud
-  --x4 Inner suspension arm pin ball
-  --x2 27mm turnbuckle
-  --x2 A-arm upper pin
-  --x2 A-arm lower pin
-  --x2 A-arm upper
-  --x2 A-arm upper rod end
-  --x4 Upper collar
-  (L) --x1 A-arm lower
-  (R) --x1 A-arm lower
-  --x4 Lower collar
-  --x2 A-arm lower rod end
-  --x2 Lower rod
-  --x1 Suspension mount (A)
-  --x1 Suspension mount spacer
-  --x2 Suspension mount bush (#5)



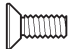



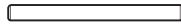


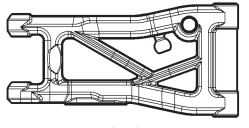
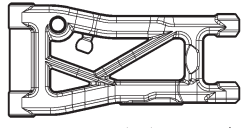

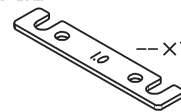
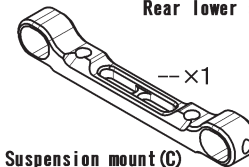


[Bag-8 Contents]

-  --x2 M3x15 set screw
-  --x4 2x5mm cap screw
-  --x4 Ball stud
-  --x4 King pin ball
-  --x4 Wheel hub pin
-  --x2 3mm nylon locknut
-  --x4 4mm nylon locknut
-  --x2 Front axle
-  --x2 Assembled universal driveshaft
-  --x2 Joint protector
-  (Front) --x2 Wheel hub
-  (Rear) --x2
-  (L) --x1 Steering block
-  (R) --x1
-  (L) --x1 Rear hub carrier
-  (R) --x1
-  --x6 5x10 bearing
-  --x2 10x15 bearing



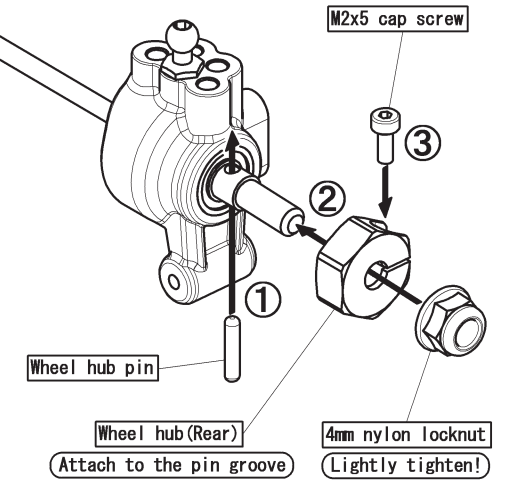
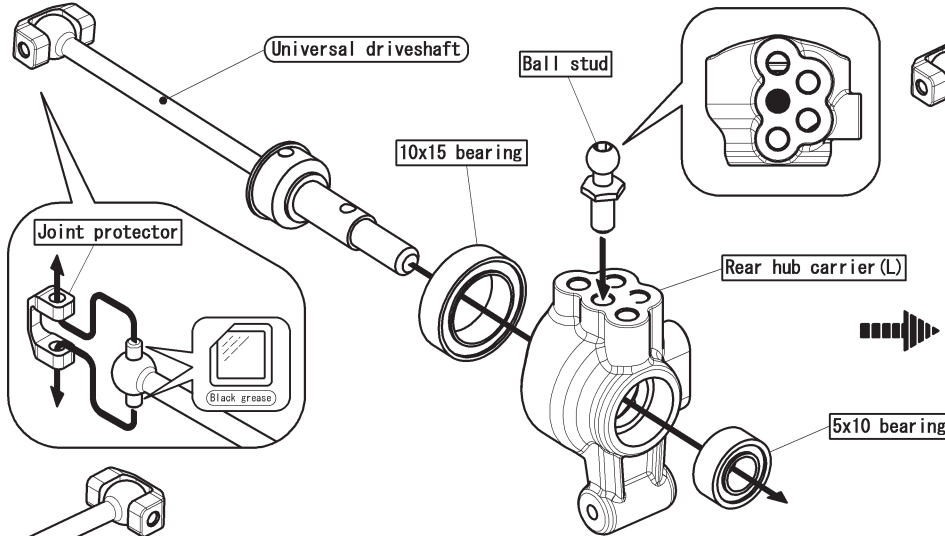
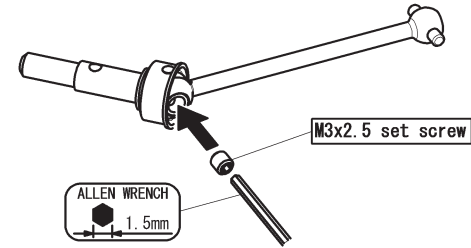
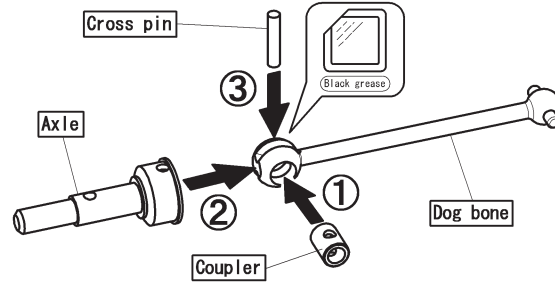
[Bag-9 Contents]

-  --x2 M3x8 flat head screw
-  --x2 M2x4 tapping screw
-  --x2 Ball stud
-  --x4 Inner suspension arm pin ball
-  --x2 Outer suspension arm pin
-  --x2 Inner suspension arm pin
-  --x4 Lower collar
-  (L) --x1
-  (R) --x1
-  --x1
-  --x1
-  --x1

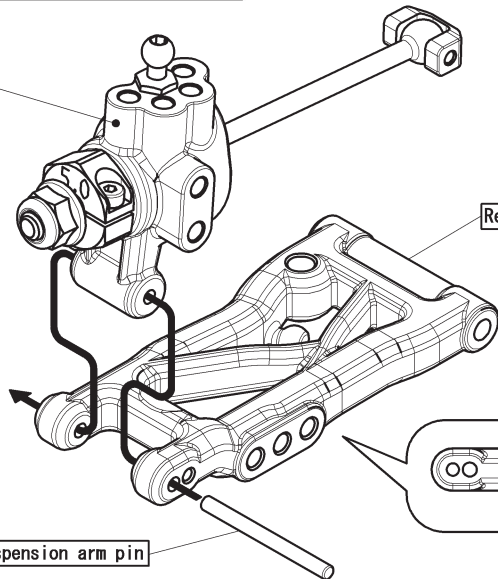
Universal Driveshaft Assembly

Perform when maintenance is required.

Important! View the illustration on the left when assembling the universal drive shafts. Make sure to apply black grease. Follow the directions in reverse for disassembly.

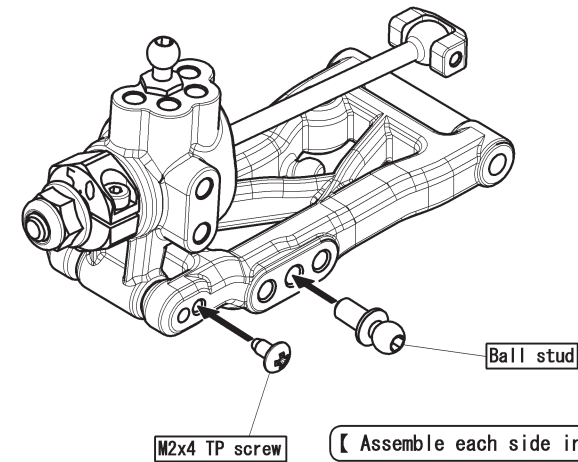


Pay attention to the direction of the part!



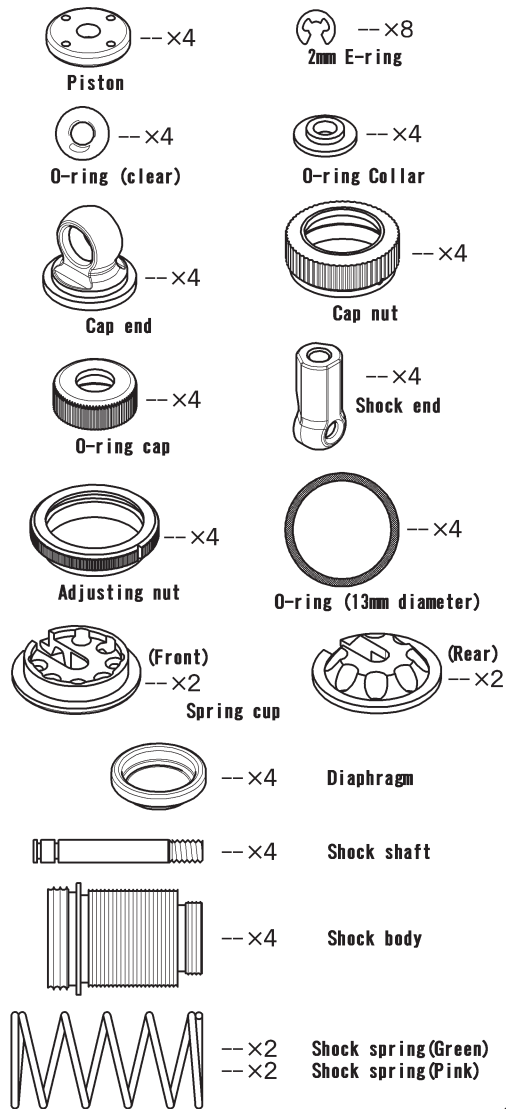
Pay attention to the direction of the part!

Rear lower suspension arm(L)



[Assemble each side in the same manner.]

[Bag-10 Contents]

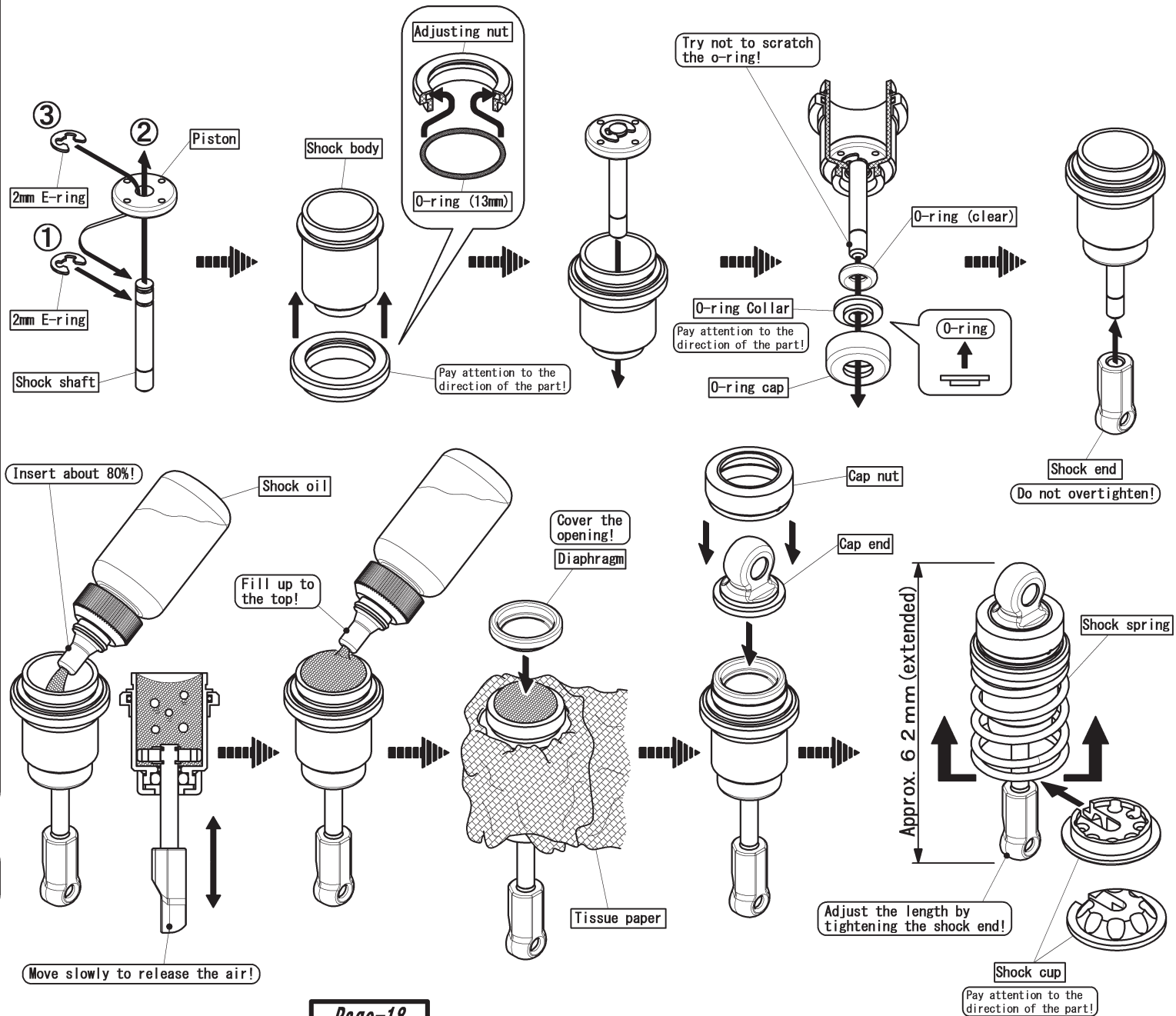


[Oil Bag Contents]

#200 shock oil x 1
#300 shock oil x 1

Shock oil and spring combination Assemble 4 shocks

Front—#300 shock oil & Shock spring (Green) & Spring cup (Front)
Rear—#200 shock oil & Shock spring (Pink) & Spring cup (Rear)

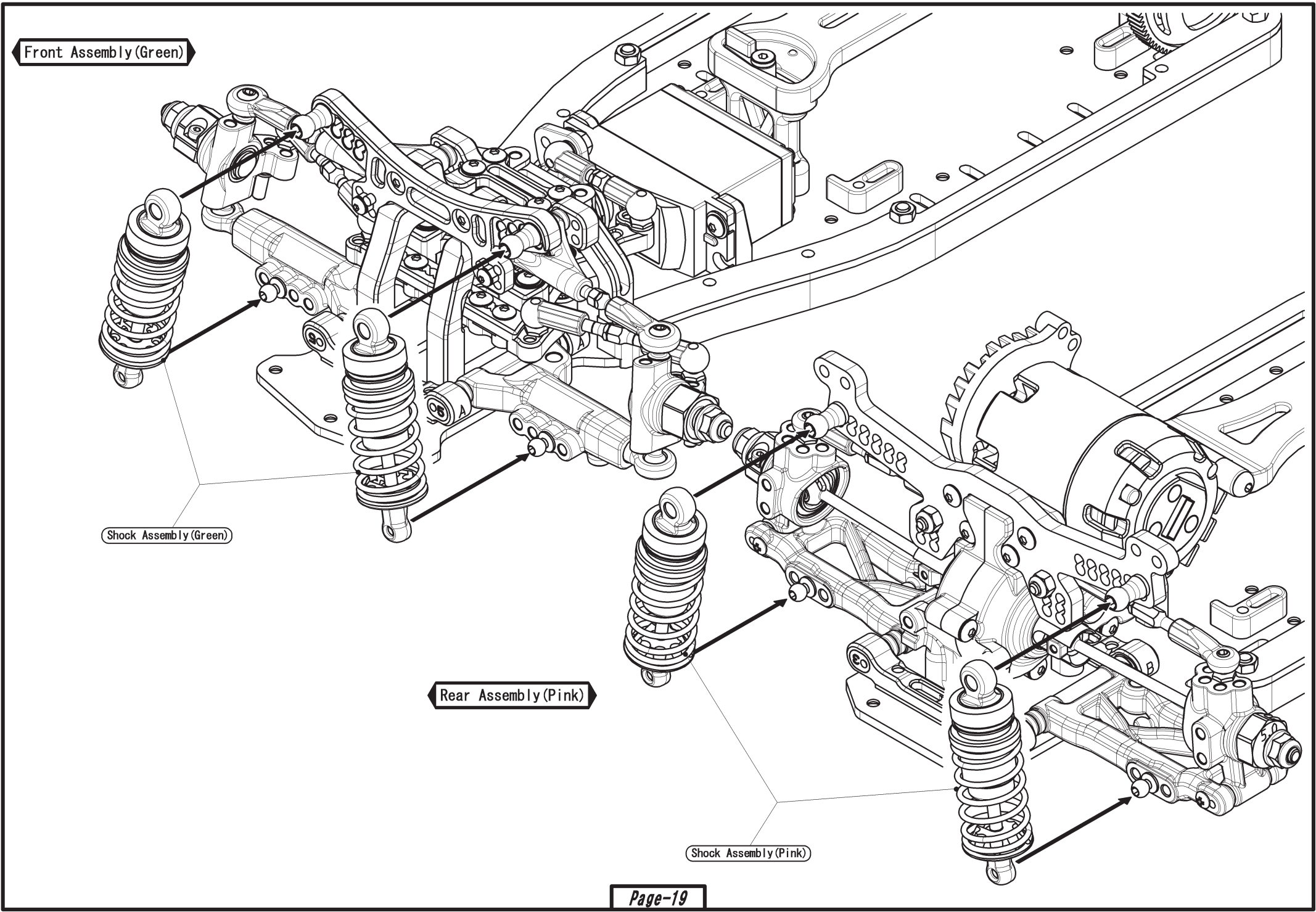


Front Assembly (Green)





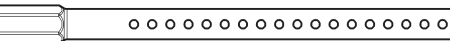
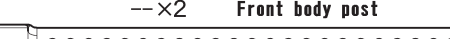
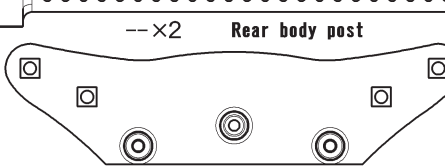


Shock Assembly (Green)

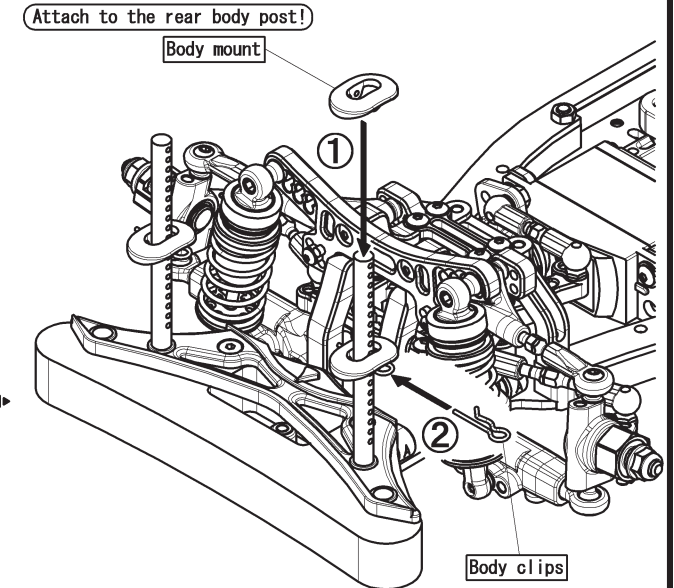
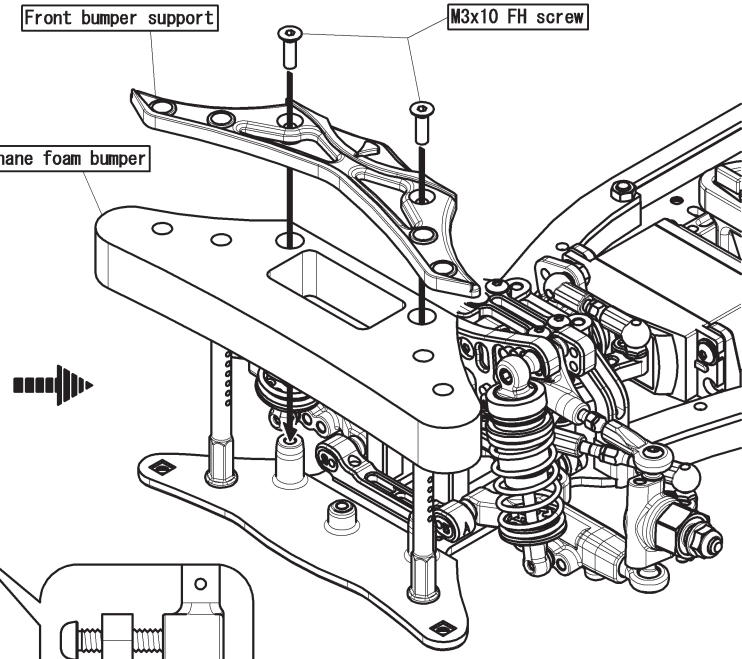
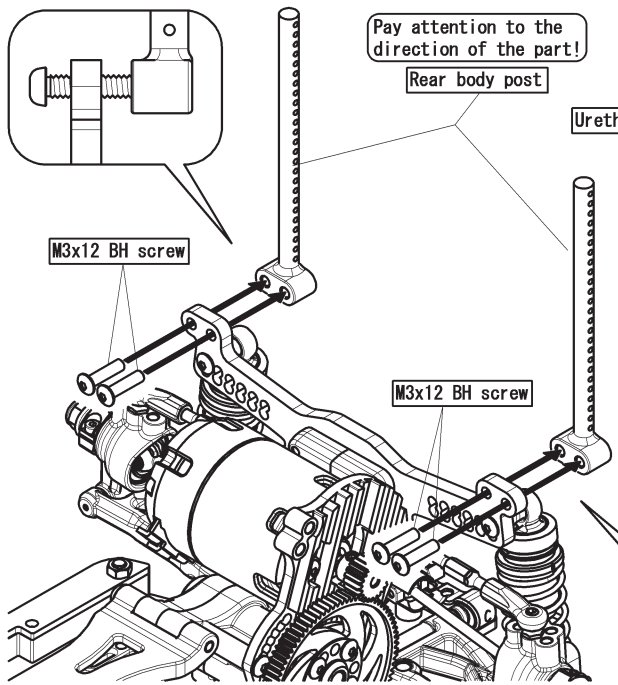
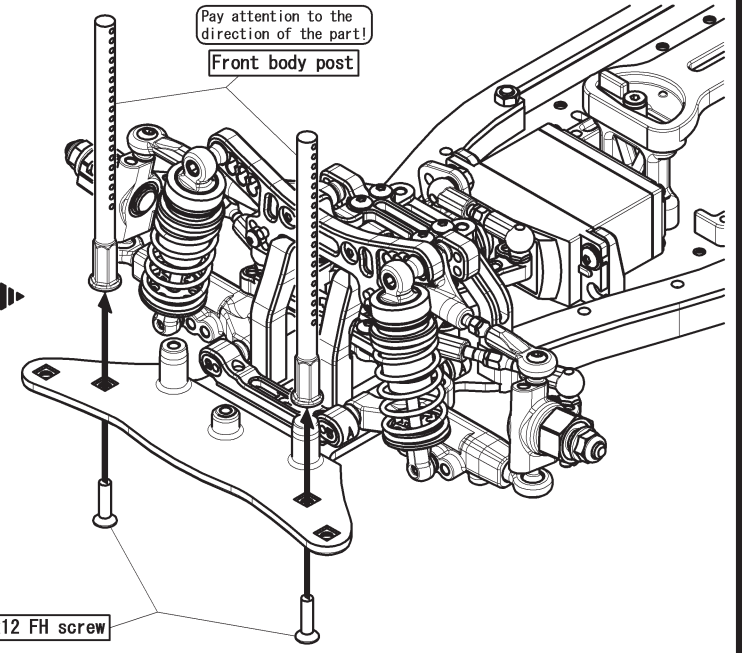
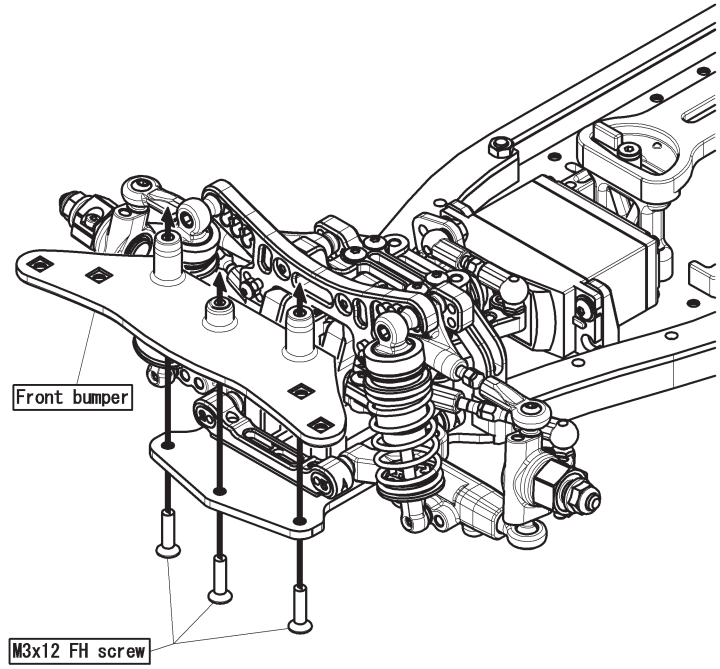
Rear Assembly (Pink)

Shock Assembly (Pink)



[Bag-11 Contents]

-  --x2 3x10mm flat head screw
-  --x7 3x12mm flat head screw
-  --x4 3x12mm flat head screw
-  --x8 Body clips
-  --x2 Front body post
-  --x2 Rear body post
-  --x1 Front bumper
-  --x1 Front bumper support
-  --x4 Body mount



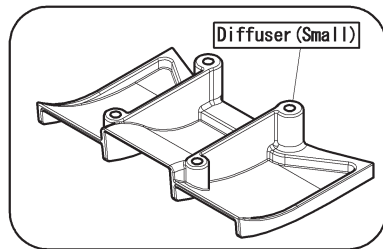
Slide the body mounts onto the body posts to the desired position. Line up the hole on the body mount and body post, and insert a body clip to secure. (Repeat for all body posts.)

Important!—Adjust the position of the body mount according to the body used.

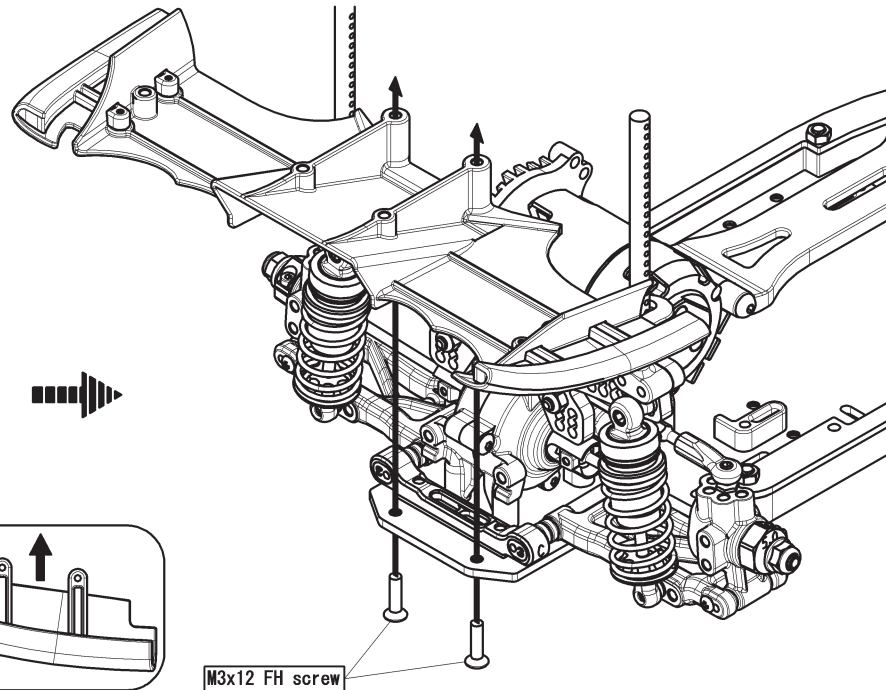
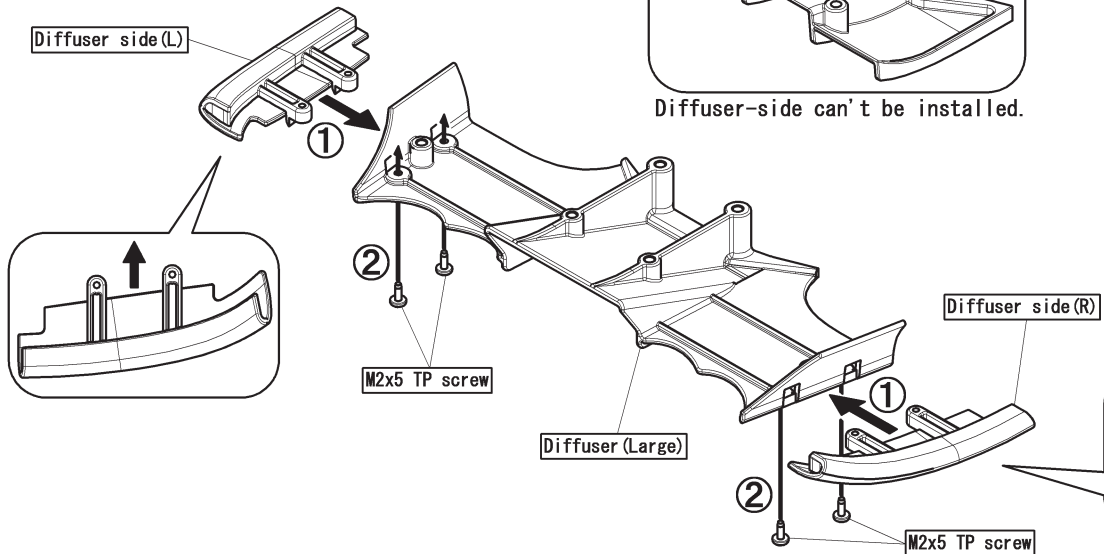
[Bag-11 Contents]

 --x4 M2x5 tapping screw

Also included: diffuser (Large) & (Small) .




Diffuser-side can't be installed.



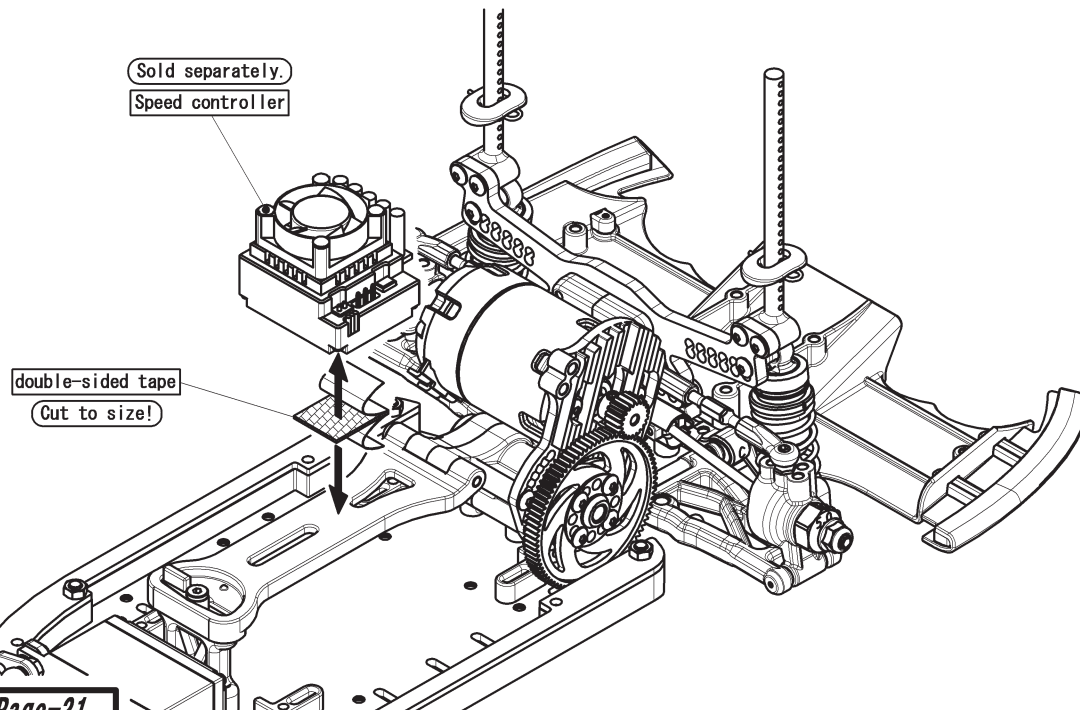
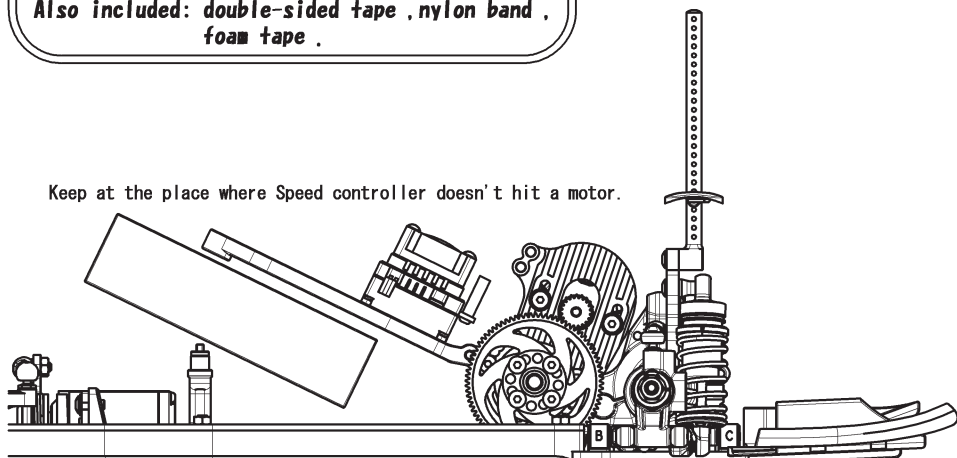
[Bag-12 Contents]

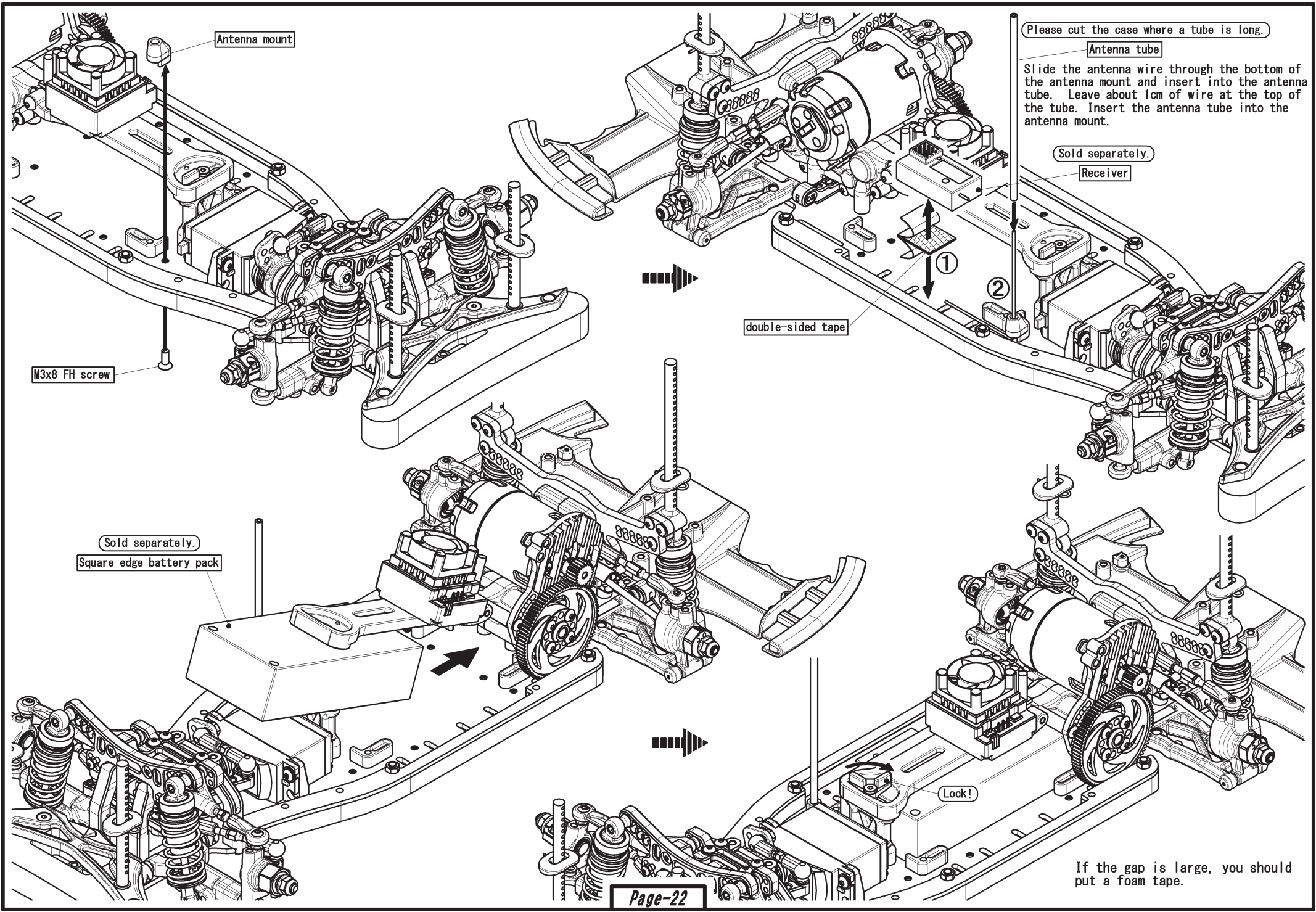
 --x1 M3x8 flat head screw

 --x1 Antenna mount

Also included: double-sided tape , nylon band , foam tape .

Keep at the place where Speed controller doesn't hit a motor.





Antenna mount

Please cut the case where a tube is long.

Antenna tube

Slide the antenna wire through the bottom of the antenna mount and insert into the antenna tube. Leave about 1cm of wire at the top of the tube. Insert the antenna tube into the antenna mount.

Sold separately.

Receiver

M3x8 FH screw

double-sided tape

1

2

Sold separately.

Square edge battery pack

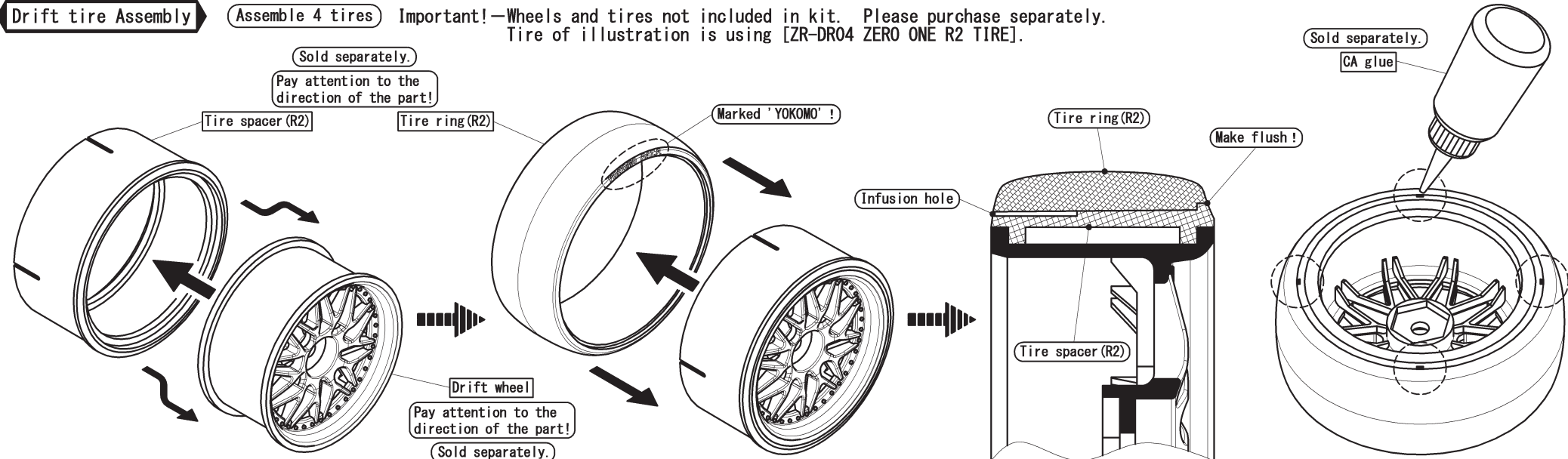
Lock!

If the gap is large, you should put a foam tape.

Drift tire Assembly

Assemble 4 tires

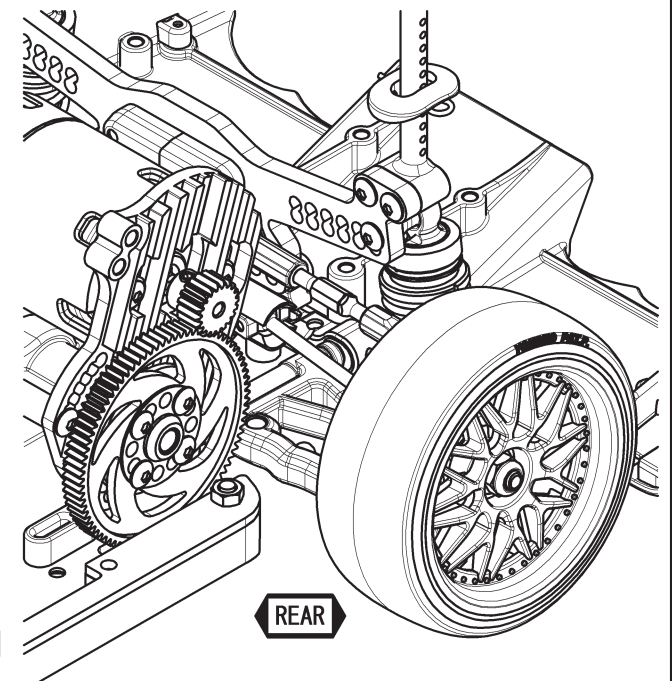
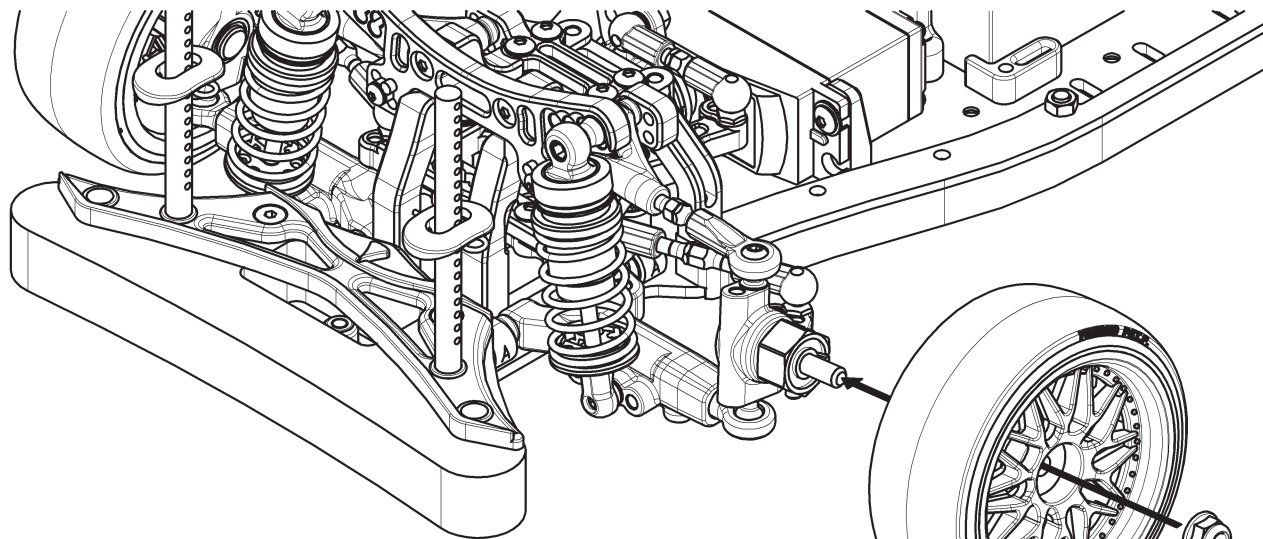
Important!—Wheels and tires not included in kit. Please purchase separately.
Tire of illustration is using [ZR-DR04 ZERO ONE R2 TIRE].



Install the tire spacer onto the wheel.
(It will be difficult to install the ring if the tire is not fully seated onto the wheel.)

Applying a thin amount of oil on the tire spacer will make it easier to install the tire ring.
(Be careful not to apply too much oil.)

Once the sidewalls are flush, insert glue through the four openings located on the inner side.
(If oil was used when installing the tire rings, wait at least 30 minutes before applying the glue.)

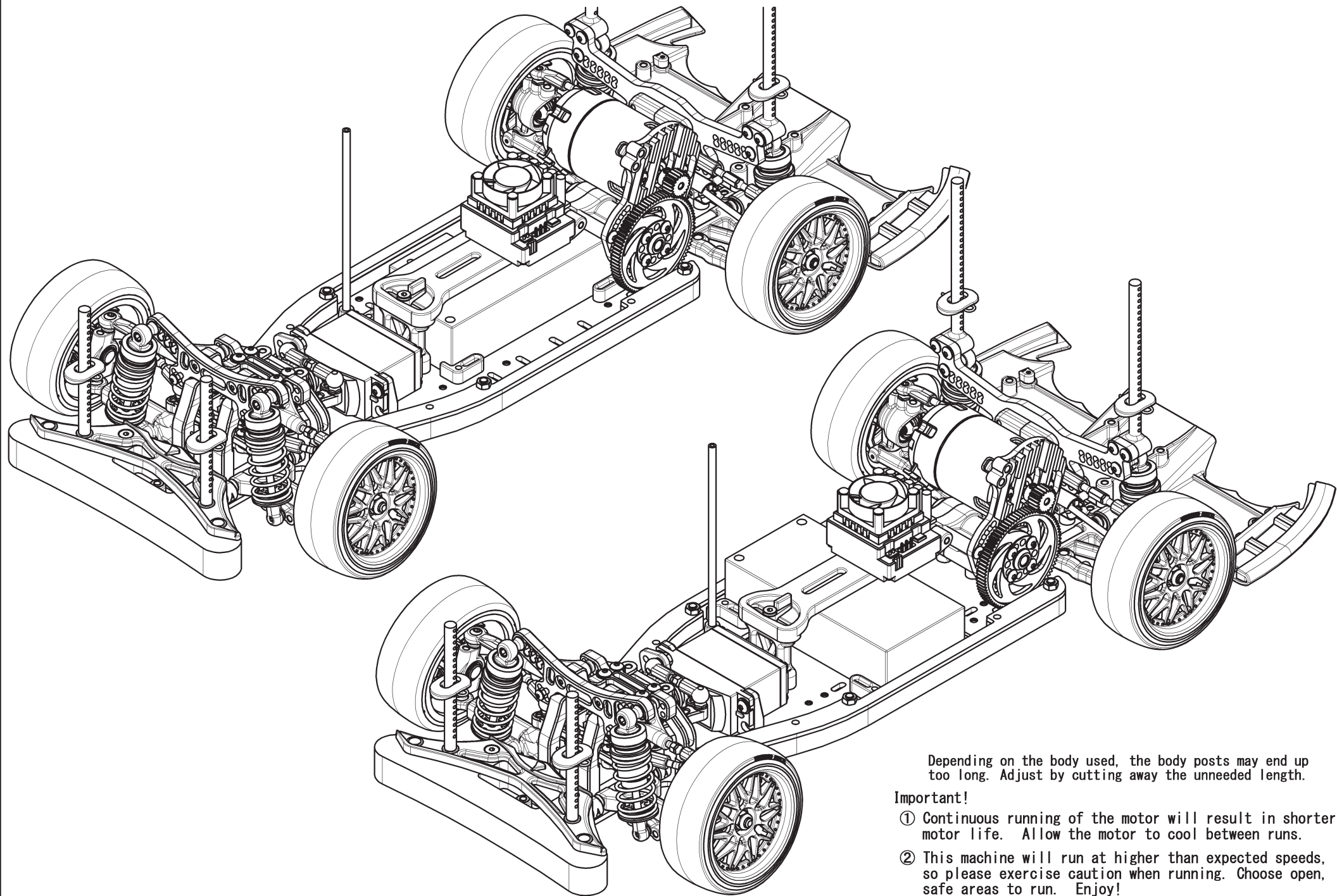


[Assemble each side in the same manner.]

FRONT

REAR

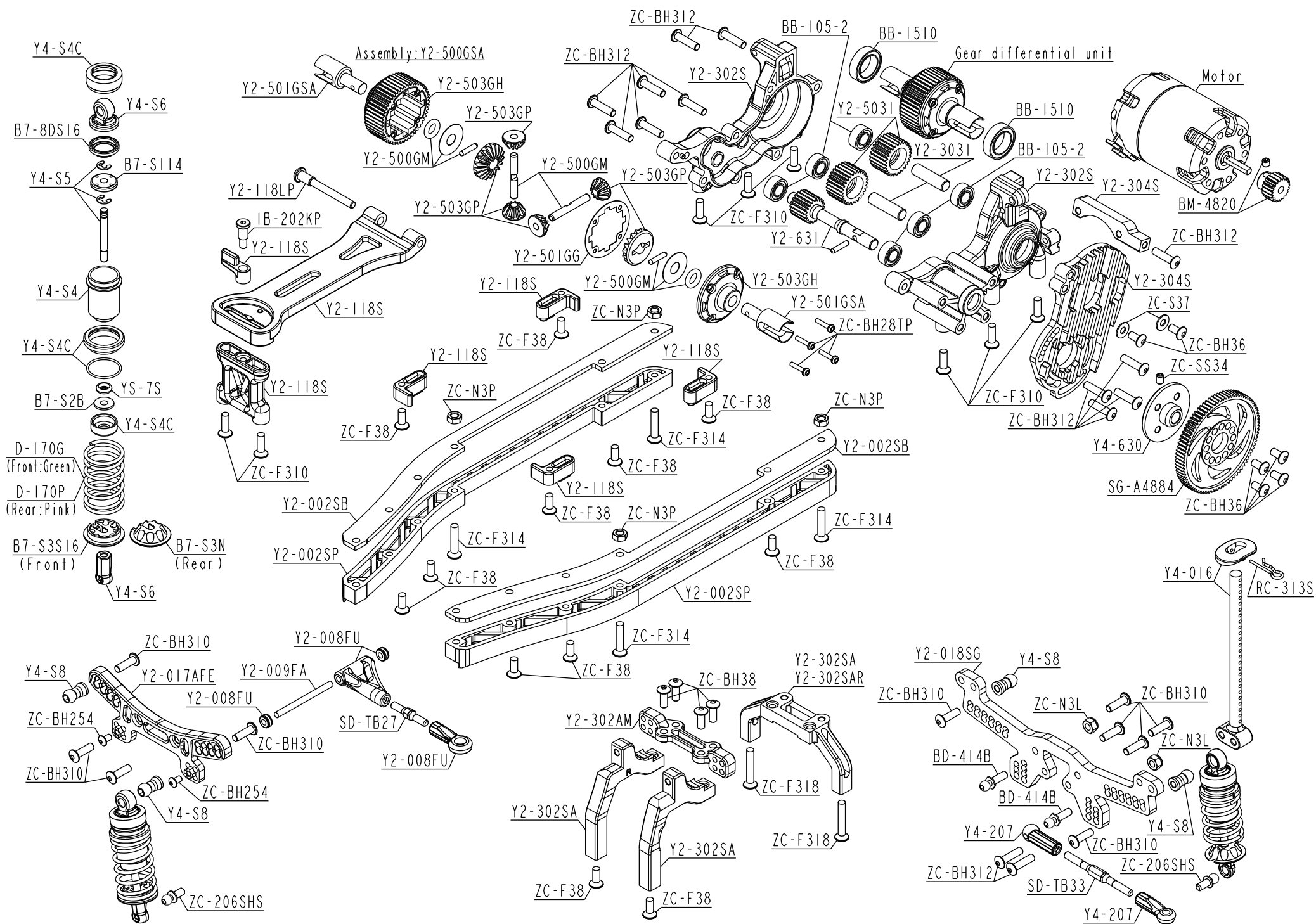
4mm nylon locknut



Depending on the body used, the body posts may end up too long. Adjust by cutting away the unneeded length.

Important!

- ① Continuous running of the motor will result in shorter motor life. Allow the motor to cool between runs.
- ② This machine will run at higher than expected speeds, so please exercise caution when running. Choose open, safe areas to run. Enjoy!



◆YD-2 Gear ratio (48 pitch)◆

2nd ration		Spur gear																																					
2.6		53	54	55	56	57	58	59	60	61	62	63	64	65	66	67	68	69	70	71	72	73	74	75	76	77	78	79	80	81	82	83	84	85	86	87	88	89	90
Pinion gear	16	8.613	8.775	8.938	9.100	9.263	9.425	9.588	9.750	9.913	10.075	10.238	10.400	10.563	10.725	10.888	11.050	11.213	11.375	11.538	11.700	11.863	12.025	12.188	12.350	12.513	12.675	12.838	13.000	13.163	13.325	13.488	13.650	13.813	13.975	14.138	14.300	14.463	14.625
	17	8.106	8.259	8.412	8.565	8.718	8.871	9.024	9.176	9.329	9.482	9.635	9.788	9.941	10.094	10.247	10.400	10.553	10.706	10.859	11.012	11.165	11.318	11.471	11.624	11.776	11.929	12.082	12.235	12.388	12.541	12.694	12.847	13.000	13.153	13.306	13.459	13.612	13.765
	18	7.656	7.800	7.944	8.089	8.233	8.378	8.522	8.667	8.811	8.956	9.100	9.244	9.389	9.533	9.678	9.822	9.967	10.111	10.256	10.400	10.544	10.689	10.833	10.978	11.122	11.267	11.411	11.556	11.700	11.844	11.989	12.133	12.278	12.422	12.567	12.711	12.856	13.000
	19	7.253	7.389	7.526	7.663	7.800	7.937	8.074	8.211	8.347	8.484	8.621	8.758	8.895	9.032	9.168	9.305	9.442	9.579	9.716	9.853	9.989	10.126	10.263	10.400	10.537	10.674	10.811	10.947	11.084	11.221	11.358	11.495	11.632	11.768	11.905	12.042	12.179	12.316
	20	6.890	7.020	7.150	7.280	7.410	7.540	7.670	7.800	7.930	8.060	8.190	8.320	8.450	8.580	8.710	8.840	8.970	9.100	9.230	9.360	9.490	9.620	9.750	9.880	10.010	10.140	10.270	10.400	10.530	10.660	10.790	10.920	11.050	11.180	11.310	11.440	11.570	11.700
	21	6.562	6.686	6.810	6.933	7.057	7.181	7.305	7.429	7.552	7.676	7.800	7.924	8.048	8.171	8.295	8.419	8.543	8.667	8.790	8.914	9.038	9.162	9.286	9.410	9.533	9.657	9.781	9.905	10.029	10.152	10.276	10.400	10.524	10.648	10.771	10.895	11.019	11.143
	22	6.264	6.382	6.500	6.618	6.736	6.855	6.973	7.091	7.209	7.327	7.445	7.564	7.682	7.800	7.918	8.036	8.155	8.273	8.391	8.509	8.627	8.745	8.864	8.982	9.100	9.218	9.336	9.455	9.573	9.691	9.809	9.927	10.045	10.164	10.282	10.400	10.518	10.636
	23	5.991	6.104	6.217	6.330	6.443	6.557	6.670	6.783	6.896	7.009	7.122	7.235	7.348	7.461	7.574	7.687	7.800	7.913	8.026	8.139	8.252	8.365	8.478	8.591	8.704	8.817	8.930	9.043	9.157	9.270	9.383	9.496	9.609	9.722	9.835	9.948	10.061	10.174
	24	5.742	5.850	5.958	6.067	6.175	6.283	6.392	6.500	6.608	6.717	6.825	6.933	7.042	7.150	7.258	7.367	7.475	7.583	7.692	7.800	7.908	8.017	8.125	8.233	8.342	8.450	8.558	8.667	8.775	8.883	8.992	9.100	9.208	9.317	9.425	9.533	9.642	9.750
	25	5.512	5.616	5.720	5.824	5.928	6.032	6.136	6.240	6.344	6.448	6.552	6.656	6.760	6.864	6.968	7.072	7.176	7.280	7.384	7.488	7.592	7.696	7.800	7.904	8.008	8.112	8.216	8.320	8.424	8.528	8.632	8.736	8.840	8.944	9.048	9.152	9.256	9.360
	26	5.300	5.400	5.500	5.600	5.700	5.800	5.900	6.000	6.100	6.200	6.300	6.400	6.500	6.600	6.700	6.800	6.900	7.000	7.100	7.200	7.300	7.400	7.500	7.600	7.700	7.800	7.900	8.000	8.100	8.200	8.300	8.400	8.500	8.600	8.700	8.800	8.900	9.000
	27	5.104	5.200	5.296	5.393	5.489	5.585	5.681	5.778	5.874	5.970	6.067	6.163	6.259	6.356	6.452	6.548	6.644	6.741	6.837	6.933	7.030	7.126	7.222	7.319	7.415	7.511	7.607	7.704	7.800	7.896	7.993	8.089	8.185	8.281	8.378	8.474	8.570	8.667
	28	4.921	5.014	5.107	5.200	5.293	5.386	5.479	5.571	5.664	5.757	5.850	5.943	6.036	6.129	6.221	6.314	6.407	6.500	6.593	6.686	6.779	6.871	6.964	7.057	7.150	7.243	7.336	7.429	7.521	7.614	7.707	7.800	7.893	7.986	8.079	8.171	8.264	8.357
	29	4.752	4.841	4.931	5.021	5.110	5.200	5.290	5.379	5.469	5.559	5.648	5.738	5.828	5.917	6.007	6.097	6.186	6.276	6.366	6.455	6.545	6.634	6.724	6.814	6.903	6.993	7.083	7.172	7.262	7.352	7.441	7.531	7.621	7.710	7.800	7.890	7.979	8.069
	30	4.593	4.680	4.767	4.853	4.940	5.027	5.113	5.200	5.287	5.373	5.460	5.547	5.633	5.720	5.807	5.893	5.980	6.067	6.153	6.240	6.327	6.413	6.500	6.587	6.673	6.760	6.847	6.933	7.020	7.107	7.193	7.280	7.367	7.453	7.540	7.627	7.713	7.800
	31	4.445	4.529	4.613	4.697	4.781	4.865	4.948	5.032	5.116	5.200	5.284	5.368	5.452	5.535	5.619	5.703	5.787	5.871	5.955	6.039	6.123	6.206	6.290	6.374	6.458	6.542	6.626	6.710	6.794	6.877	6.961	7.045	7.129	7.213	7.297	7.381	7.465	7.548
	32	4.306	4.388	4.469	4.550	4.631	4.713	4.794	4.875	4.956	5.038	5.119	5.200	5.281	5.363	5.444	5.525	5.606	5.688	5.769	5.850	5.931	6.013	6.094	6.175	6.256	6.338	6.419	6.500	6.581	6.663	6.744	6.825	6.906	6.988	7.069	7.150	7.231	7.313
	33	4.176	4.255	4.333	4.412	4.491	4.570	4.648	4.727	4.806	4.885	4.964	5.042	5.121	5.200	5.279	5.358	5.436	5.515	5.594	5.673	5.752	5.830	5.909	5.988	6.067	6.145	6.224	6.303	6.382	6.461	6.539	6.618	6.697	6.776	6.855	6.933	7.012	7.091
	34	4.053	4.129	4.206	4.282	4.359	4.435	4.512	4.588	4.665	4.741	4.818	4.894	4.971	5.047	5.124	5.200	5.276	5.353	5.429	5.506	5.582	5.659	5.735	5.812	5.888	5.965	6.041	6.118	6.194	6.271	6.347	6.424	6.500	6.576	6.653	6.729	6.806	6.882
	35	3.937	4.011	4.086	4.160	4.234	4.309	4.383	4.457	4.531	4.606	4.680	4.754	4.829	4.903	4.977	5.051	5.126	5.200	5.274	5.349	5.423	5.497	5.571	5.646	5.720	5.794	5.869	5.943	6.017	6.091	6.166	6.240	6.314	6.389	6.463	6.537	6.611	6.686
	36	3.828	3.900	3.972	4.044	4.117	4.189	4.261	4.333	4.406	4.478	4.550	4.622	4.694	4.767	4.839	4.911	4.983	5.056	5.128	5.200	5.272	5.344	5.417	5.489	5.561	5.633	5.706	5.778	5.850	5.922	5.994	6.067	6.139	6.211	6.283	6.356	6.428	6.500
37	3.724	3.795	3.865	3.935	4.005	4.076	4.146	4.216	4.286	4.357	4.427	4.497	4.568	4.638	4.708	4.778	4.849	4.919	4.989	5.059	5.130	5.200	5.270	5.341	5.411	5.481	5.551	5.622	5.692	5.762	5.832	5.903	5.973	6.043	6.114	6.184	6.254	6.324	
38	3.626	3.695	3.763	3.832	3.900	3.968	4.037	4.105	4.174	4.242	4.311	4.379	4.447	4.516	4.584	4.653	4.721	4.789	4.858	4.926	4.995	5.063	5.132	5.200	5.268	5.337	5.405	5.474	5.542	5.611	5.679	5.747	5.816	5.884	5.953	6.021	6.089	6.158	
39	3.533	3.600	3.667	3.733	3.800	3.867	3.933	4.000	4.067	4.133	4.200	4.267	4.333	4.400	4.467	4.533	4.600	4.667	4.733	4.800	4.867	4.933	5.000	5.067	5.133	5.200	5.267	5.333	5.400	5.467	5.533	5.600	5.667	5.733	5.800	5.867	5.933	6.000	
40	3.445	3.510	3.575	3.640	3.705	3.770	3.835	3.900	3.965	4.030	4.095	4.160	4.225	4.290	4.355	4.420	4.485	4.550	4.615	4.680	4.745	4.810	4.875	4.940	5.005	5.070	5.135	5.200	5.265	5.330	5.395	5.460	5.525	5.590	5.655	5.720	5.785	5.850	
41	3.361	3.424	3.488	3.551	3.615	3.678	3.741	3.805	3.868	3.932	3.995	4.059	4.122	4.185	4.249	4.312	4.376	4.439	4.502	4.566	4.629	4.693	4.756	4.820	4.883	4.946	5.010	5.073	5.137	5.200	5.263	5.327	5.390	5.454	5.517	5.580	5.644	5.707	
42	3.281	3.343	3.405	3.467	3.529	3.590	3.652	3.714	3.776	3.838	3.900	3.962	4.024	4.086	4.148	4.210	4.271	4.333	4.395	4.457	4.519	4.581	4.643	4.705	4.767	4.829	4.890	4.952	5.014	5.076	5.138	5.200	5.262	5.324	5.386	5.448	5.510	5.571	
43	3.205	3.265	3.326	3.386	3.447	3.507	3.567	3.628	3.688	3.749	3.809	3.870	3.930	3.991	4.051	4.112	4.172	4.233	4.293	4.353	4.414	4.474	4.535	4.595	4.656	4.716	4.777	4.837	4.898	4.958	5.019	5.079	5.140	5.200	5.260	5.321	5.381	5.442	
44	3.132	3.191	3.250	3.309	3.368	3.427	3.486	3.545	3.605	3.664	3.723	3.782	3.841	3.900	3.959	4.018	4.077	4.136	4.195	4.255	4.314	4.373	4.432	4.491	4.550	4.609	4.668	4.727	4.786	4.845	4.905	4.964	5.023	5.082	5.141	5.200	5.259	5.318	
45	3.062	3.120	3.178	3.236	3.293	3.351	3.409	3.467	3.524	3.582	3.640	3.698	3.756	3.813	3.871	3.929	3.987	4.044	4.102	4.160	4.218	4.276	4.333	4.391	4.449	4.507	4.564	4.622	4.680	4.738	4.796	4.853	4.911	4.969	5.027	5.084	5.142	5.200	
46	2.996	3.052	3.109	3.165	3.222	3.278	3.335																																

◆YD-2 Gear ratio (64 pitch)◆

2nd ration		Spur gear																																					
2.6	81	82	83	84	85	86	87	88	89	90	91	92	93	94	95	96	97	98	99	100	101	102	103	104	105	106	107	108	109	110	111	112	113	114	115	116	117	118	
Pinion gear	22	9.573	9.691	9.809	9.927	10.045	10.164	10.282	10.400	10.518	10.636	10.755	10.873	10.991	11.109	11.227	11.345	11.464	11.582	11.700	11.818	11.936	12.055	12.173	12.291	12.409	12.527	12.645	12.764	12.882	13.000	13.118	13.236	13.355	13.473	13.591	13.709	13.827	13.945
	23	9.157	9.270	9.383	9.496	9.609	9.722	9.835	9.948	10.061	10.174	10.287	10.400	10.513	10.626	10.739	10.852	10.965	11.078	11.191	11.304	11.417	11.530	11.643	11.757	11.870	11.983	12.096	12.209	12.322	12.435	12.548	12.661	12.774	12.887	13.000	13.113	13.226	13.339
	24	8.775	8.883	8.992	9.100	9.208	9.317	9.425	9.533	9.642	9.750	9.858	9.967	10.075	10.183	10.292	10.400	10.508	10.617	10.725	10.833	10.942	11.050	11.158	11.267	11.375	11.483	11.592	11.700	11.808	11.917	12.025	12.133	12.242	12.350	12.458	12.567	12.675	12.783
	25	8.424	8.528	8.632	8.736	8.840	8.944	9.048	9.152	9.256	9.360	9.464	9.568	9.672	9.776	9.880	9.984	10.088	10.192	10.296	10.400	10.504	10.608	10.712	10.816	10.920	11.024	11.128	11.232	11.336	11.440	11.544	11.648	11.752	11.856	11.960	12.064	12.168	12.272
	26	8.100	8.200	8.300	8.400	8.500	8.600	8.700	8.800	8.900	9.000	9.100	9.200	9.300	9.400	9.500	9.600	9.700	9.800	9.900	10.000	10.100	10.200	10.300	10.400	10.500	10.600	10.700	10.800	10.900	11.000	11.100	11.200	11.300	11.400	11.500	11.600	11.700	11.800
	27	7.800	7.896	7.993	8.089	8.185	8.281	8.378	8.474	8.570	8.667	8.763	8.859	8.956	9.052	9.148	9.244	9.341	9.437	9.533	9.630	9.726	9.822	9.919	10.015	10.111	10.207	10.304	10.400	10.496	10.593	10.689	10.785	10.881	10.978	11.074	11.170	11.267	11.363
	28	7.521	7.614	7.707	7.800	7.893	7.986	8.079	8.171	8.264	8.357	8.450	8.543	8.636	8.729	8.821	8.914	9.007	9.100	9.193	9.286	9.379	9.471	9.564	9.657	9.750	9.843	9.936	10.029	10.121	10.214	10.307	10.400	10.493	10.586	10.679	10.771	10.864	10.957
	29	7.282	7.352	7.441	7.531	7.621	7.710	7.800	7.890	7.979	8.069	8.159	8.248	8.338	8.428	8.517	8.607	8.697	8.786	8.876	8.966	9.055	9.145	9.234	9.324	9.414	9.503	9.593	9.683	9.772	9.862	9.952	10.041	10.131	10.221	10.310	10.400	10.490	10.579
	30	7.020	7.107	7.193	7.280	7.367	7.453	7.540	7.627	7.713	7.800	7.887	7.973	8.060	8.147	8.233	8.320	8.407	8.493	8.580	8.667	8.753	8.840	8.927	9.013	9.100	9.187	9.273	9.360	9.447	9.533	9.620	9.707	9.793	9.880	9.967	10.053	10.140	10.227
	31	6.794	6.877	6.961	7.045	7.129	7.213	7.297	7.381	7.465	7.548	7.632	7.716	7.800	7.884	7.968	8.052	8.135	8.219	8.303	8.387	8.471	8.555	8.639	8.723	8.806	8.890	8.974	9.058	9.142	9.226	9.310	9.394	9.477	9.561	9.645	9.729	9.813	9.897
	32	6.581	6.663	6.744	6.825	6.906	6.988	7.069	7.150	7.231	7.313	7.394	7.475	7.556	7.638	7.719	7.800	7.881	7.963	8.044	8.125	8.206	8.288	8.369	8.450	8.531	8.613	8.694	8.775	8.856	8.938	9.019	9.100	9.181	9.263	9.344	9.425	9.506	9.588
	33	6.382	6.461	6.539	6.618	6.697	6.776	6.855	6.933	7.012	7.091	7.170	7.248	7.327	7.406	7.485	7.564	7.642	7.721	7.800	7.879	7.958	8.036	8.115	8.194	8.273	8.352	8.430	8.509	8.588	8.667	8.745	8.824	8.903	8.982	9.061	9.139	9.218	9.297
	34	6.194	6.271	6.347	6.424	6.500	6.576	6.653	6.729	6.806	6.882	6.959	7.035	7.112	7.188	7.265	7.341	7.418	7.494	7.571	7.647	7.724	7.800	7.876	7.953	8.029	8.106	8.182	8.259	8.335	8.412	8.488	8.565	8.641	8.718	8.794	8.871	8.947	9.024
	35	6.017	6.091	6.166	6.240	6.314	6.389	6.463	6.537	6.611	6.686	6.760	6.834	6.909	6.983	7.057	7.131	7.206	7.280	7.354	7.429	7.503	7.577	7.651	7.726	7.800	7.874	7.949	8.023	8.097	8.171	8.246	8.320	8.394	8.469	8.543	8.617	8.691	8.766
	36	5.850	5.922	5.994	6.067	6.139	6.211	6.283	6.356	6.428	6.500	6.572	6.644	6.717	6.789	6.861	6.933	7.006	7.078	7.150	7.222	7.294	7.367	7.439	7.511	7.583	7.656	7.728	7.800	7.872	7.944	8.017	8.089	8.161	8.233	8.306	8.378	8.450	8.522
	37	5.692	5.762	5.832	5.903	5.973	6.043	6.114	6.184	6.254	6.324	6.395	6.465	6.535	6.605	6.676	6.746	6.816	6.886	6.957	7.027	7.097	7.168	7.238	7.308	7.378	7.449	7.519	7.589	7.659	7.730	7.800	7.870	7.941	8.011	8.081	8.151	8.222	8.292
	38	5.542	5.611	5.679	5.747	5.816	5.884	5.953	6.021	6.089	6.158	6.226	6.295	6.363	6.432	6.500	6.568	6.637	6.705	6.774	6.842	6.911	6.979	7.047	7.116	7.184	7.253	7.321	7.389	7.458	7.526	7.595	7.663	7.732	7.800	7.868	7.937	8.005	8.074
	39	5.400	5.467	5.533	5.600	5.667	5.733	5.800	5.867	5.933	6.000	6.067	6.133	6.200	6.267	6.333	6.400	6.467	6.533	6.600	6.667	6.733	6.800	6.867	6.933	7.000	7.067	7.133	7.200	7.267	7.333	7.400	7.467	7.533	7.600	7.667	7.733	7.800	7.867
	40	5.265	5.330	5.395	5.460	5.525	5.590	5.655	5.720	5.785	5.850	5.915	5.980	6.045	6.110	6.175	6.240	6.305	6.370	6.435	6.500	6.565	6.630	6.695	6.760	6.825	6.890	6.955	7.020	7.085	7.150	7.215	7.280	7.345	7.410	7.475	7.540	7.605	7.670
	41	5.137	5.200	5.263	5.327	5.390	5.454	5.517	5.580	5.644	5.707	5.771	5.834	5.898	5.961	6.024	6.088	6.151	6.215	6.278	6.341	6.405	6.468	6.532	6.595	6.659	6.722	6.785	6.849	6.912	6.976	7.039	7.102	7.166	7.229	7.293	7.356	7.420	7.483
	42	5.014	5.076	5.138	5.200	5.262	5.324	5.386	5.448	5.510	5.571	5.633	5.695	5.757	5.819	5.881	5.943	6.005	6.067	6.129	6.190	6.252	6.314	6.376	6.438	6.500	6.562	6.624	6.686	6.748	6.810	6.871	6.933	6.995	7.057	7.119	7.181	7.243	7.305
	43	4.898	4.958	5.019	5.079	5.140	5.200	5.260	5.321	5.381	5.442	5.502	5.563	5.623	5.684	5.744	5.805	5.865	5.926	5.986	6.047	6.107	6.167	6.228	6.288	6.349	6.409	6.470	6.530	6.591	6.651	6.712	6.772	6.833	6.893	6.953	7.014	7.074	7.135
	44	4.786	4.845	4.905	4.964	5.023	5.082	5.141	5.200	5.259	5.318	5.377	5.436	5.495	5.555	5.614	5.673	5.732	5.791	5.850	5.909	5.968	6.027	6.086	6.145	6.205	6.264	6.323	6.382	6.441	6.500	6.559	6.618	6.677	6.736	6.795	6.855	6.914	6.973
	45	4.680	4.738	4.796	4.853	4.911	4.969	5.027	5.084	5.142	5.200	5.258	5.316	5.373	5.431	5.489	5.547	5.604	5.662	5.720	5.778	5.836	5.893	5.951	6.009	6.067	6.124	6.182	6.240	6.298	6.356	6.413	6.471	6.529	6.587	6.644	6.702	6.760	6.818
	46	4.578	4.635	4.691	4.748	4.804	4.861	4.917	4.974	5.030	5.087	5.143	5.200	5.257	5.313	5.370	5.426	5.483	5.539	5.596	5.652	5.709	5.765	5.822	5.878	5.935	5.991	6.048	6.104	6.161	6.217	6.274	6.330	6.387	6.443	6.500	6.557	6.613	6.670
	47	4.481	4.536	4.591	4.647	4.702	4.757	4.813	4.868	4.923	4.979	5.034	5.089	5.145	5.200	5.255	5.311	5.366	5.421	5.477	5.532	5.587	5.643	5.698	5.753	5.809	5.864	5.919	5.974	6.030	6.085	6.140	6.196	6.251	6.306	6.362	6.417	6.472	6.528
	48	4.388	4.442	4.496	4.550	4.604	4.658	4.713	4.767	4.821	4.875	4.929	4.983	5.038	5.092	5.146	5.200	5.254	5.308	5.363	5.417	5.471	5.525	5.579	5.633	5.688	5.742	5.796	5.850	5.904	5.958	6.013	6.067	6.121	6.175	6.229	6.283	6.338	6.392
	49	4.298	4.351	4.404	4.457	4.510	4.563	4.616	4.669	4.722	4.776	4.829	4.882	4.935	4.988	5.041	5.094	5.147	5.200	5.253	5.306	5.359	5.412	5.465	5.518	5.571	5.624	5.678	5.731	5.784	5.837	5.890	5.943	5.996	6.049	6.102	6.155	6.208	6.261
	50	4.212	4.264	4.316	4.368	4.420	4.472	4.524	4.576	4.628	4.680	4.732	4.784	4.836	4.888	4.940	4.992	5.044	5.096	5.148	5.200	5.252	5.304	5.356	5.408	5.460	5.512	5.564	5.616	5.668	5.720	5.772	5.824	5.876	5.928	5.980	6.032	6.084	6.136
	51	4.129	4.180	4.231	4.282	4.333	4.384	4.435	4.486	4.537	4.588	4.639	4.690	4.741	4.792	4.843	4.894	4.945	4.996	5.047	5.098	5.149	5.200	5.251	5.302	5.353	5.404	5.455	5.506	5.557	5.608	5.659	5.710	5.761	5.812	5.863	5.914	5	

AS A MANUFACTURER OF WORLD CHAMPIONSHIP WINNING CARS,
YOKOMO WILL CONTINUE TO PROVIDE THE BEST AVAILABLE TECHNOLOGY TO R/C ENTHUSIASTS ALL OVER THE WORLD.
ENJOY THIS PRODUCT KNOWING THAT YOU ARE DRIVING ONE OF THE BEST HANDLING R/C CARS EVER DESIGNED.

RC MODEL CARS
YOKOMO
www.teamyokomo.com

世界のブランド YOKOMO

ヨコモは競技用 R/C カー（ラジオコントロールカー）の専門メーカーです。その製品は、全日本選手権、全米選手権、ヨーロッパ選手権、そして R/C カーレースの最高峰である世界選手権レースでも優勝。世界の R/C カーマニアに愛用されています。