

SET-UP SHEET

X4F'25 SET-UP SHEET VER.1 ©XRAY

XRAY X4F'25

RACE _____
 TRACK _____
 NAME _____ DATE _____

TRACK TEMP.	QUAL POS.	FINAL POS.	BEST LAP TIME	LAPS	TIME
			/sec	/	

TRACK

TRACK SURFACE CARPET ASPHALT

TRACK LAYOUT TECHNICAL MIXED FAST

TRACTION LOW MEDIUM HIGH

FRONT TRANSMISSION REAR

GEAR DIFFERENTIAL - OIL _____ /cst

PINION / T _____ SPUR GEAR / T _____ FINAL DRIVE RATIO _____

FRONT SHOCKS REAR

XRAY SPRINGS _____

OIL /Cst _____

REBOUND % _____

4 HOLES 1.1mm 1.1mm 4 HOLES

PSS 1.2mm 1.2mm PSS

SHOCK LENGTH _____ /mm SHOCK LENGTH _____ /mm

THICKNESS/mm **ANTI-ROLL BAR** THICKNESS/mm

TIRES _____

ADDITIVE _____

ADDITIVE TIMING _____

WIPE OFF TIME _____

Timing: _____ Temp.: _____ TIRE WARMERS Timing: _____ Temp.: _____

FRONT LEFT FRONT RIGHT REAR LEFT REAR RIGHT

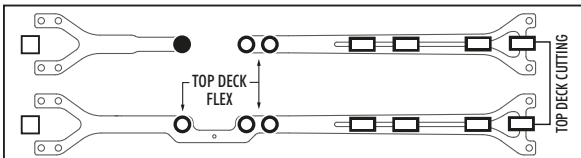
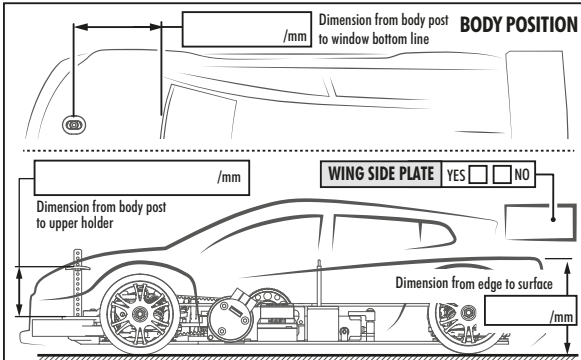
TREATED AREA

TOTAL WEIGHT _____ /g WEIGHT BALANCE FRONT _____ % REAR _____ %

MOTOR _____ TIMING _____ RPM LIMIT _____

ESC _____ BATTERIES _____

BODY _____ WING _____



COMMENTS _____

