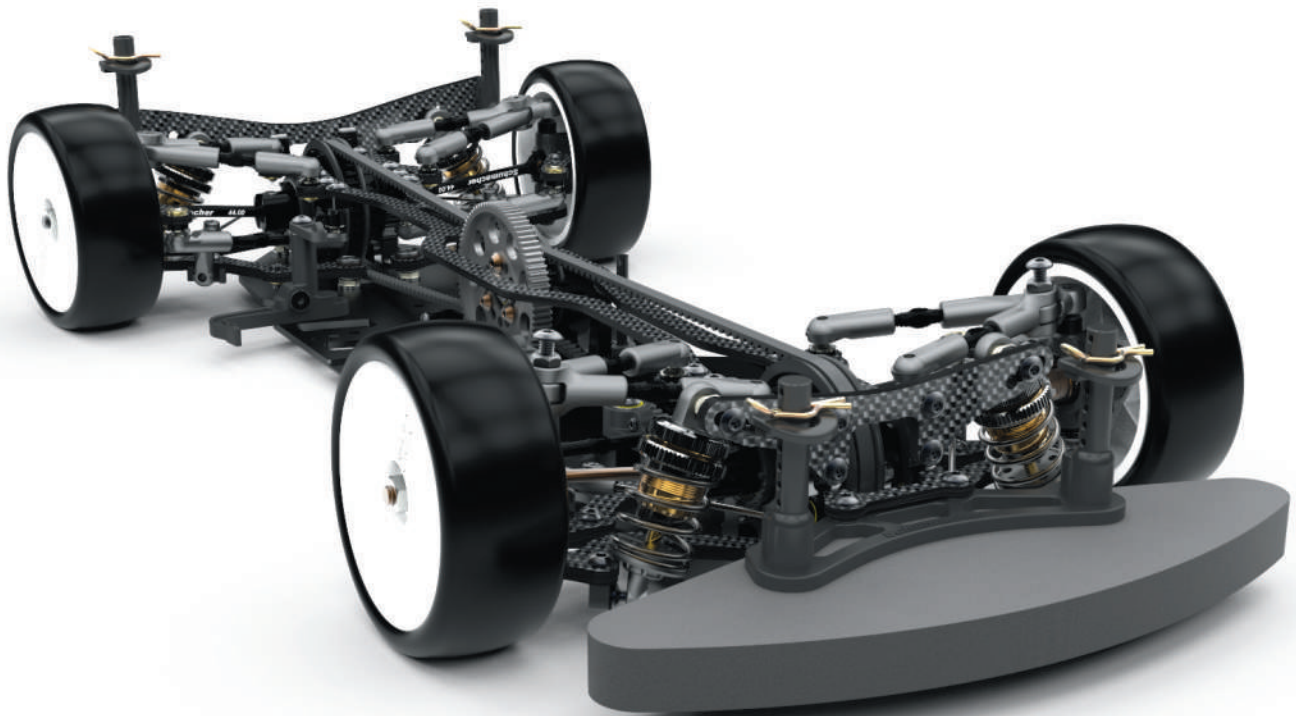


# Mi8



## Instruction Manual ISS01



## IMPORTANT SAFETY NOTES

- We strongly recommend that anyone driving RC cars, or organising events, should obtain third party liability insurance. In the UK this can be done by joining the BRCA. [www.brca.org](http://www.brca.org)
- This product is not suitable for children under the age of 14, without the direct supervision of a responsible adult.
- Select an area for assembly that is away from the reach of small children.
- The parts in this kit are small and can be swallowed by children causing choking and possible internal injuries.
- Exercise care when using hand tools and sharp instruments during assembly.
- Carefully read all manufacturers warnings and cautions for any additional items used in the construction.
- In line with our policy of continuous development the exact details of the kit may vary.
- DO NOT use this car on public roads or in places where it can interfere with traffic, people or animals.
- Always check the operation of the radio with the wheels off the ground, before using the car.
- Make sure the radio and car batteries are fully charged before use.
- Disconnect and remove the battery from the car when not in use.
- Always store and charge LiPo batteries in a fireproof container.
- DO NOT put fingers or any objects inside rotating or moving parts as this may cause injury.
- Make sure the charger is correctly set for the type of battery you are using.
- Incorrect charging may cause a fire.
- Insulate all exposed electrical wiring. Exposed or damaged wires can cause short circuits and fire.
- The motor and speed controller can become hot during use. DO NOT touch them immediately after using your car as this may cause injury.

## ADDITIONAL ITEMS REQUIRED



Radio Equipment



Motor and Pinion Gear



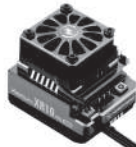
2S LiPo Battery



Battery Charger



Steering Servo



Electronic Speed Controller



Pro Tyre Glue



Bodyshell



Polycarbonate Paint



Tyres and Inserts

## TOOLS REQUIRED

1.5mm Hex Driver - U2789

2.0mm Hex Driver - U2790

2.5mm Hex Driver - U2791

3.0mm Hex Driver - U2792

5.5mm M3 Nut Driver - U2795

7.0mm M4 Nut Driver - U2796

Body Reamer - U2818

Pliers - CR528

Side Cutters - CR527

Soldering Iron - CR275

Solder - U3107

Curved Scissors - CR044



## ICON KEYS

**LITHIUM GREASE** CORE RC High Performance Lithium Grease 10ml - CR752

**THREAD LOCK** CORE RC Medium Thread Lock 3ml - CR520

**CA GLUE** CORE RC 522 Pro Tyre Glue 20g + 2 Nozzles - CR522



Caution/Important note. Please read.



Left-Hand Side of car



Right-Hand Side of car



Additional information that will help you build a faster race car.



Advanced Set up Sheets - Page 37 - 40  
The kit build will offer an easy and safe setup option for most track conditions.



## BAG A - Step 1

**A x12**

M3 x 6 Csk Hd Screw

**B x2**

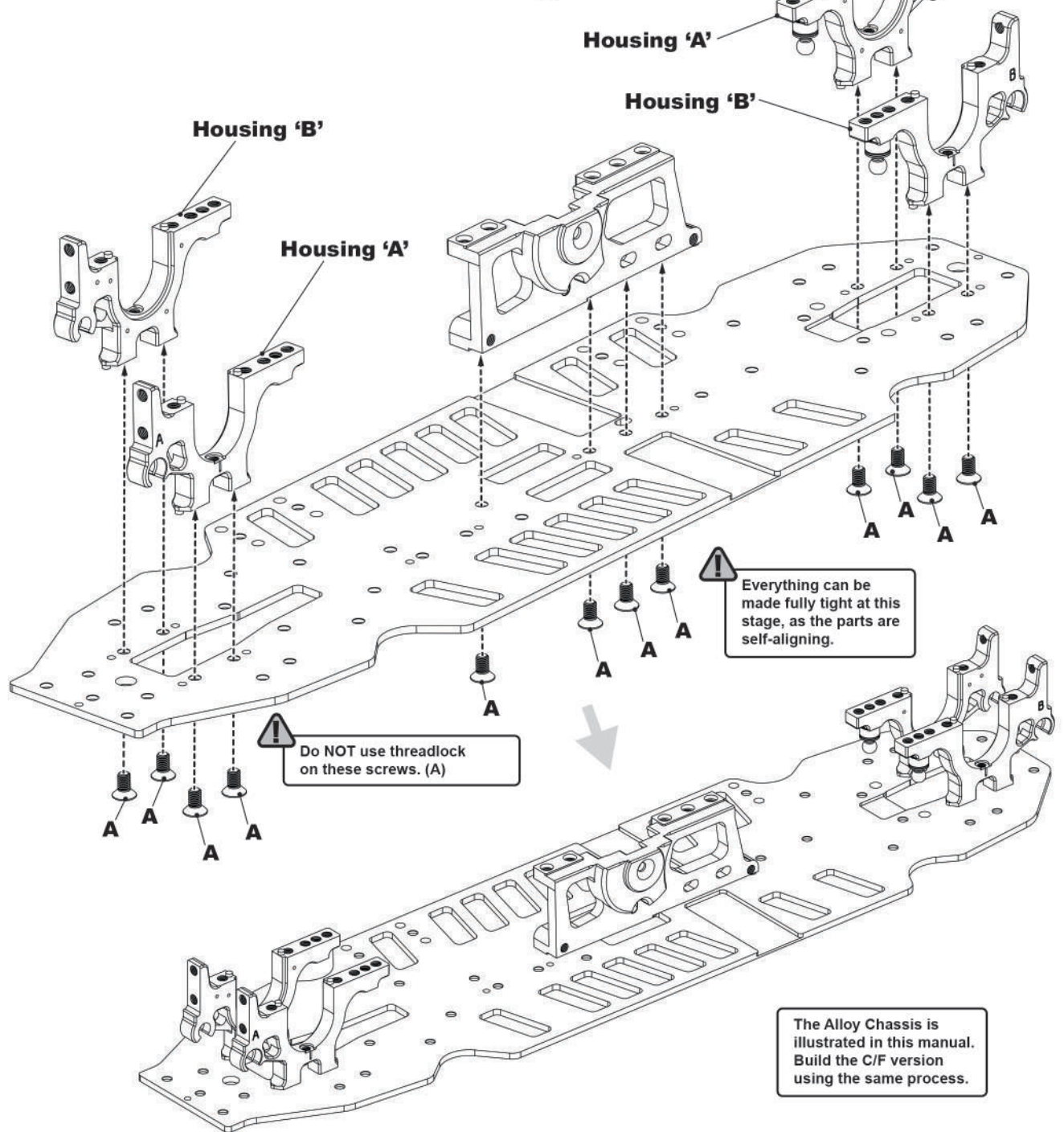
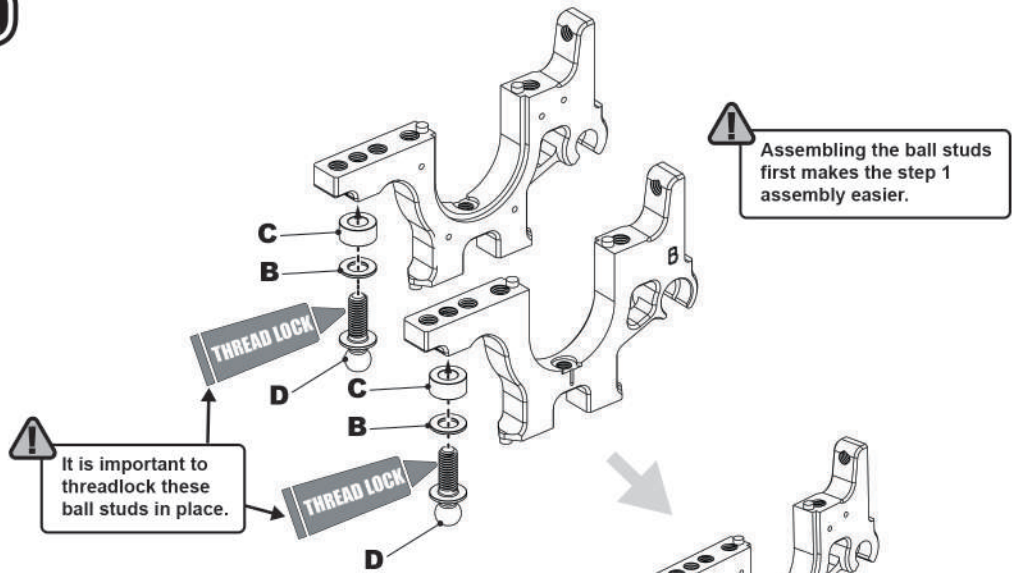
M3 Black Spacer 0.50mm

**C x2**

M3 Black Spacer 3.00mm

**D x2**

Long Ball Stud Low



## BAG A - Step 2

**A x2**

ø2.0 x 9.8

**B x2**

O'ring ø5 x 1.5

**C x2**

SHIM  
ø5 x ø15 x 0.2

**D x2**

SHIM  
ø10 x ø12.5 x 0.10

**E x4**

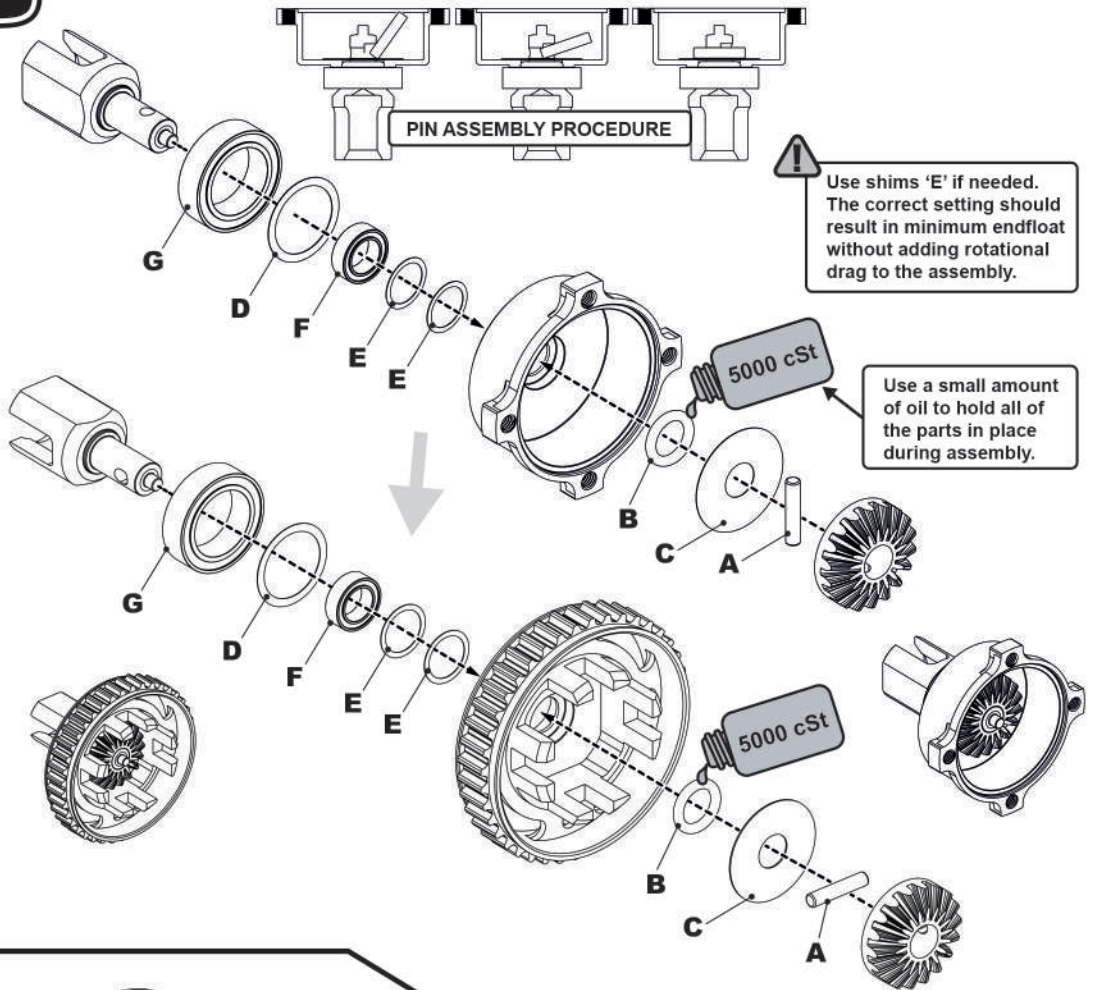
SHIM  
ø6.4 x ø8.0 x 0.10

**F x2**

ø5 x ø8 x 2.5

**G x2**

ø10 x ø15 x 4



## BAG A - Step 3

**A x4**

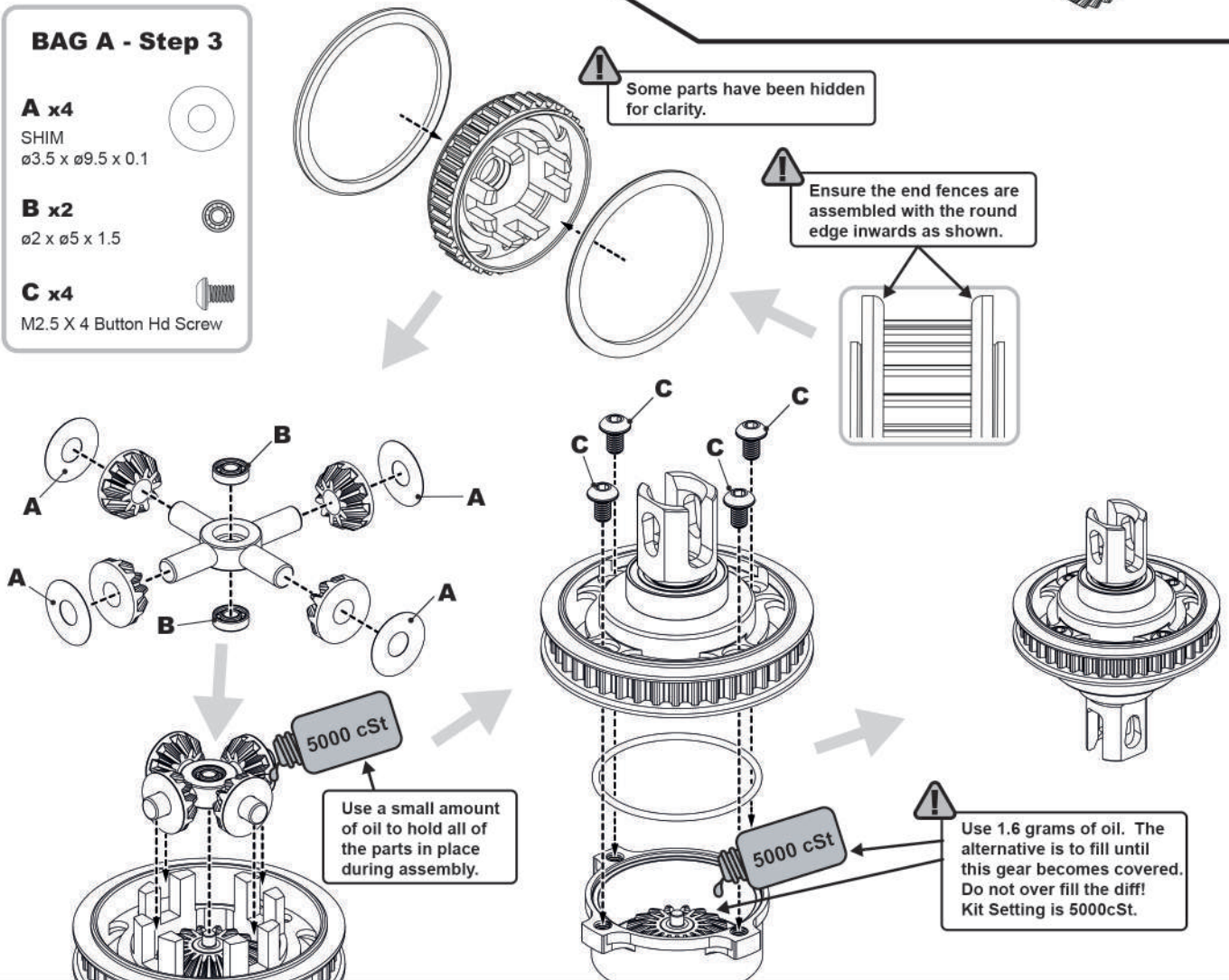
SHIM  
ø3.5 x ø9.5 x 0.1

**B x2**

ø2 x ø5 x 1.5

**C x4**

M2.5 X 4 Button Hd Screw



## BAG A - Step 4

**A x2**

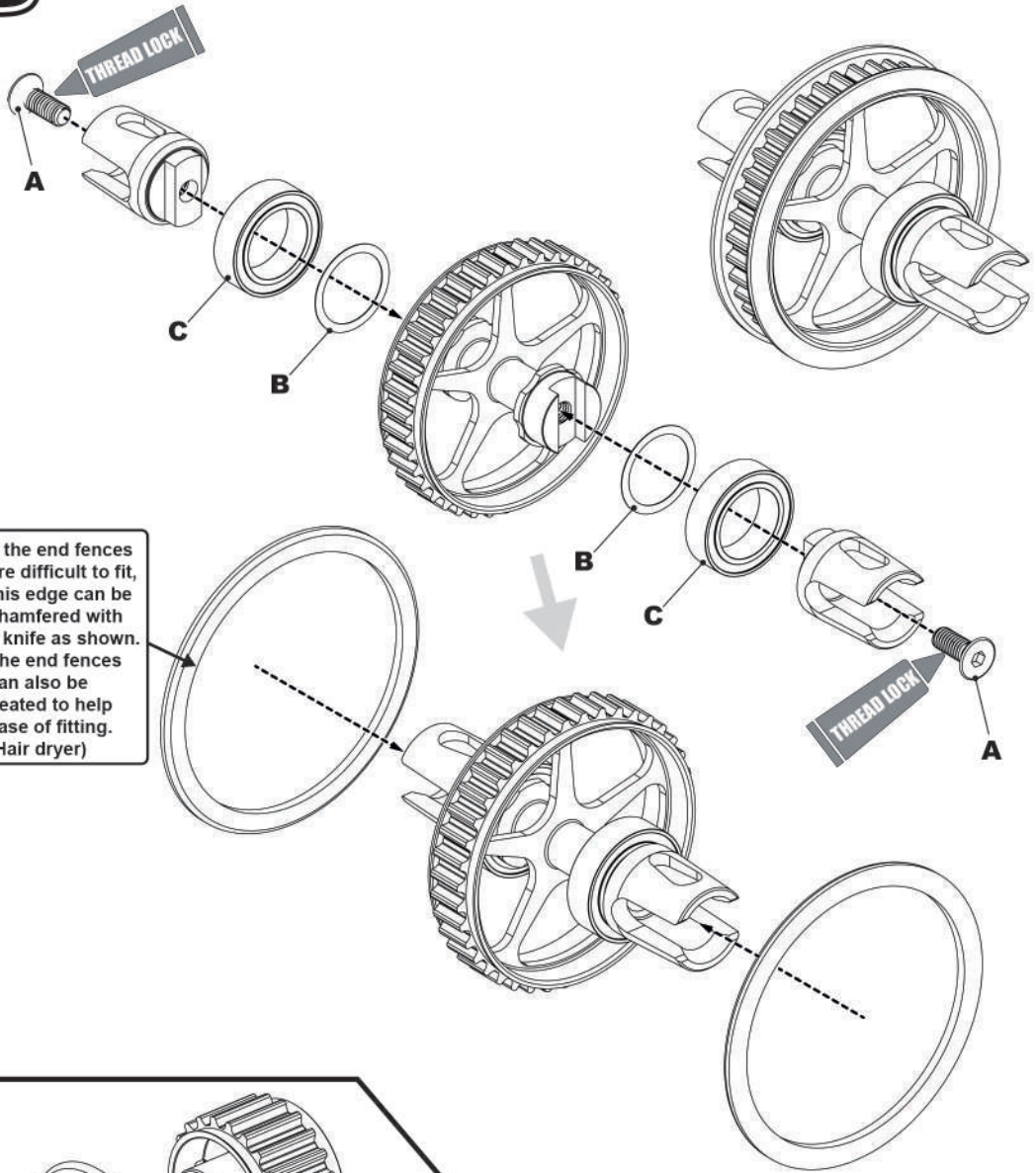
M3 x 8 Csk Hd Screw

**B x2**

SHIM  
ø10 x ø12.5 x 0.10

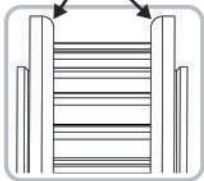
**C x2**

ø10 x ø15 x 4



! If the end fences are difficult to fit, this edge can be chamfered with a knife as shown. The end fences can also be heated to help ease of fitting. (Hair dryer)

! Ensure the end fences are assembled with the round edge inwards as shown.



## BAG A - Step 5 Part 1

**A x1**

M3 x 4 Button Hd Screw

**B x1**

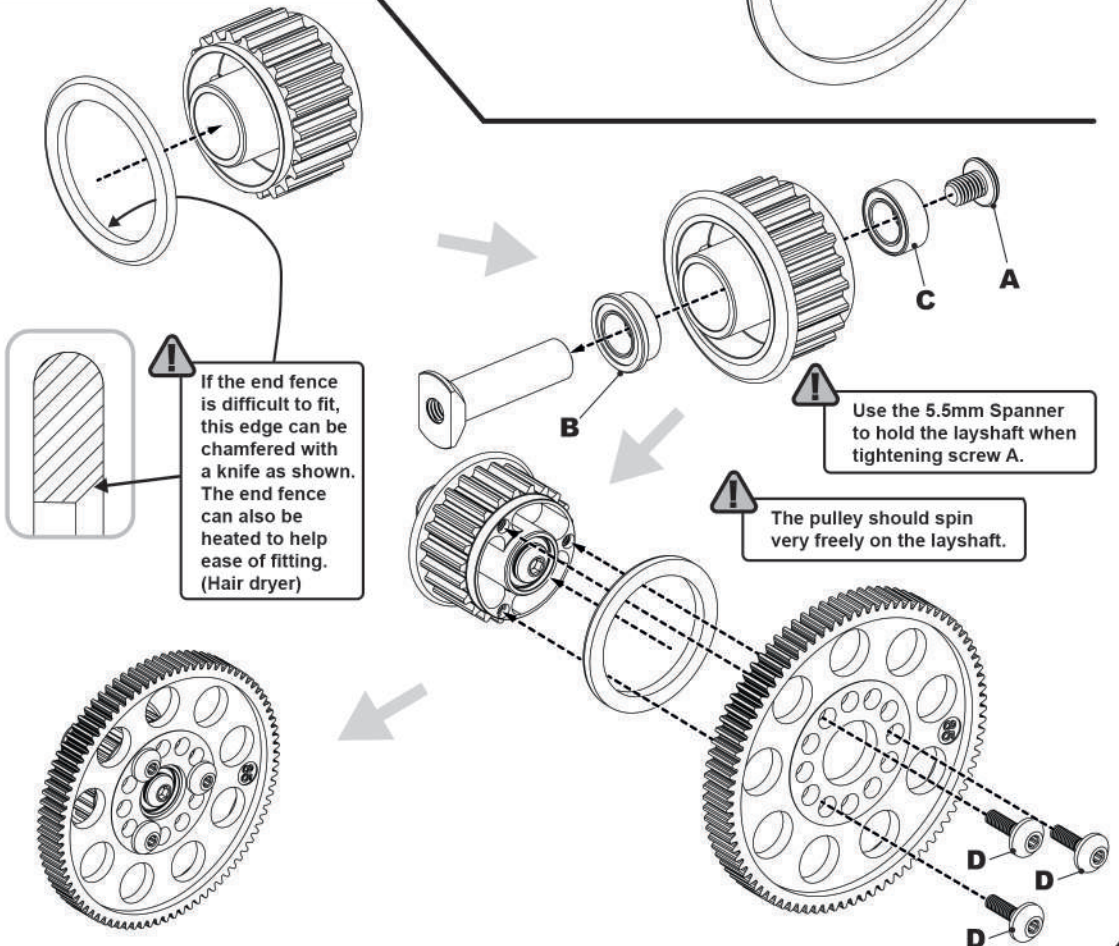
Flanged  
ø3/16" x ø5/16"

**C x1**

ø3/16" x ø5/16"

**D x3**

Spur Gear Screw



! If the end fence is difficult to fit, this edge can be chamfered with a knife as shown. The end fence can also be heated to help ease of fitting. (Hair dryer)

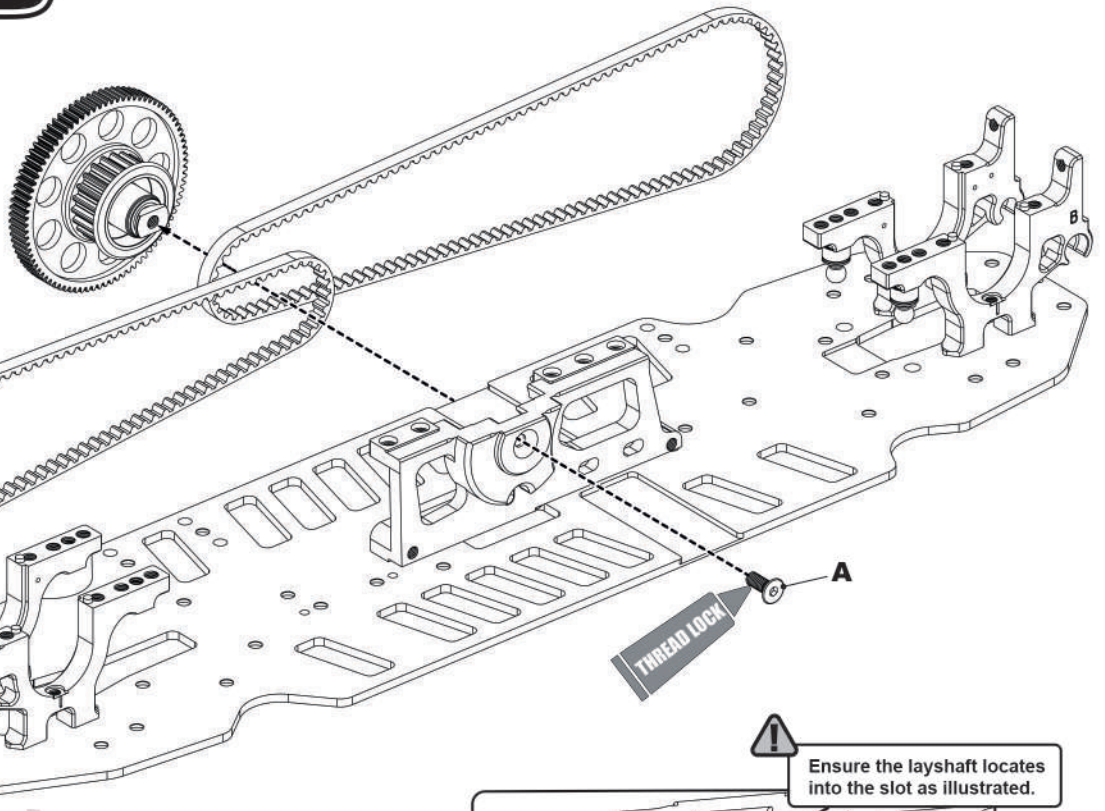
! Use the 5.5mm Spanner to hold the layshaft when tightening screw A.

! The pulley should spin very freely on the layshaft.

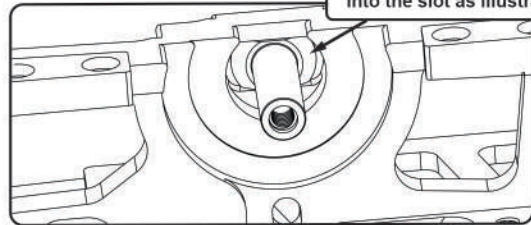
## BAG A - Step 5 Part 2

A x1

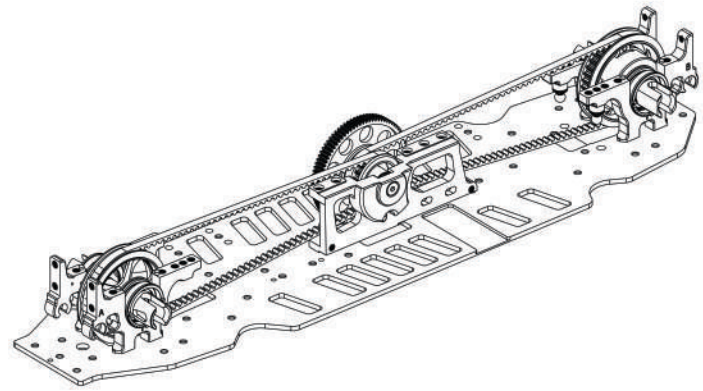
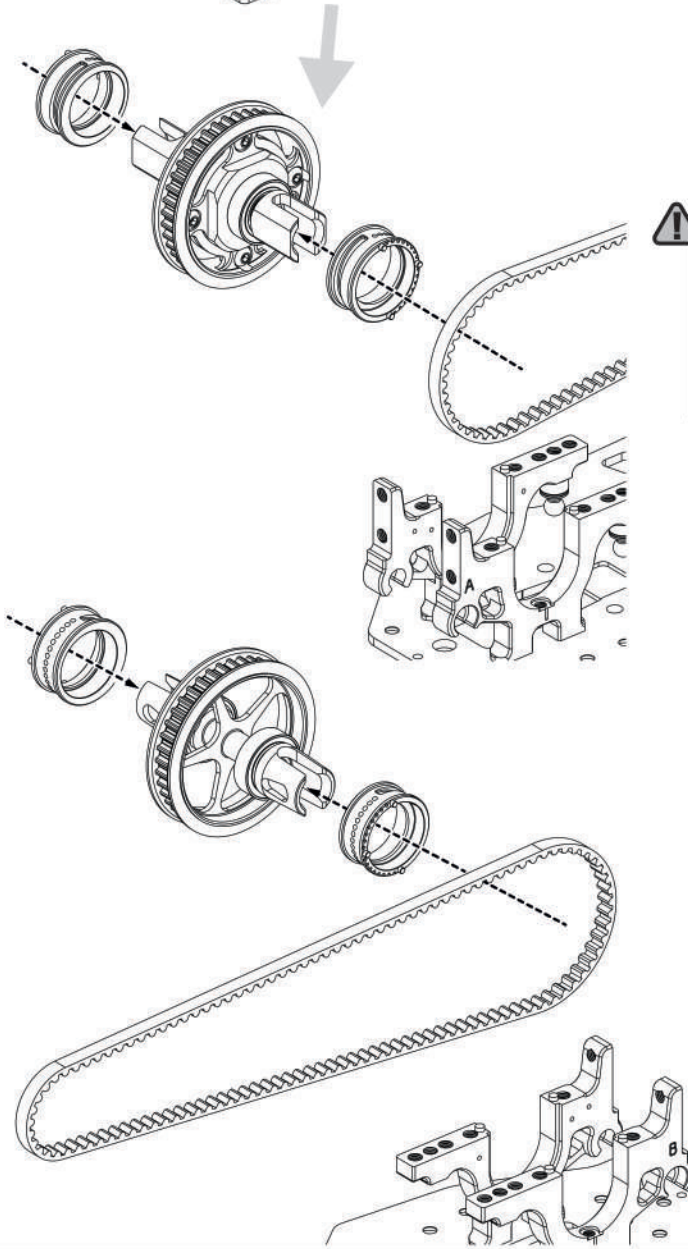
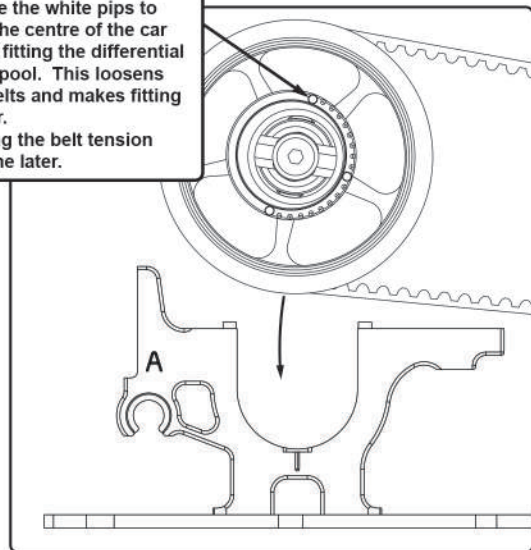
M3 x 8 Csk Hd Screw



⚠ Ensure the layshaft locates into the slot as illustrated.



⚠ Rotate the white pips to face the centre of the car when fitting the differential and spool. This loosens the belts and makes fitting easier. Setting the belt tension is done later.



## BAG A - Step 6

**A x17**

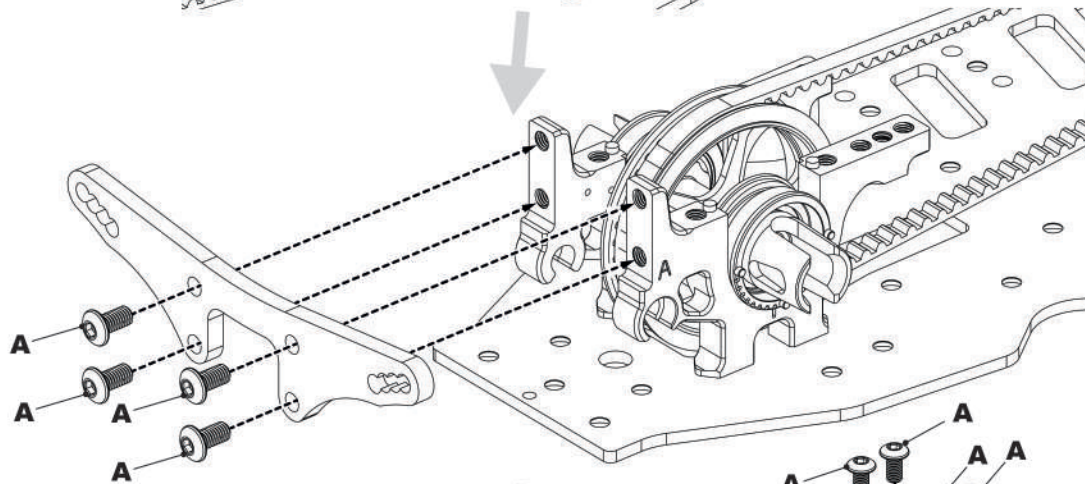
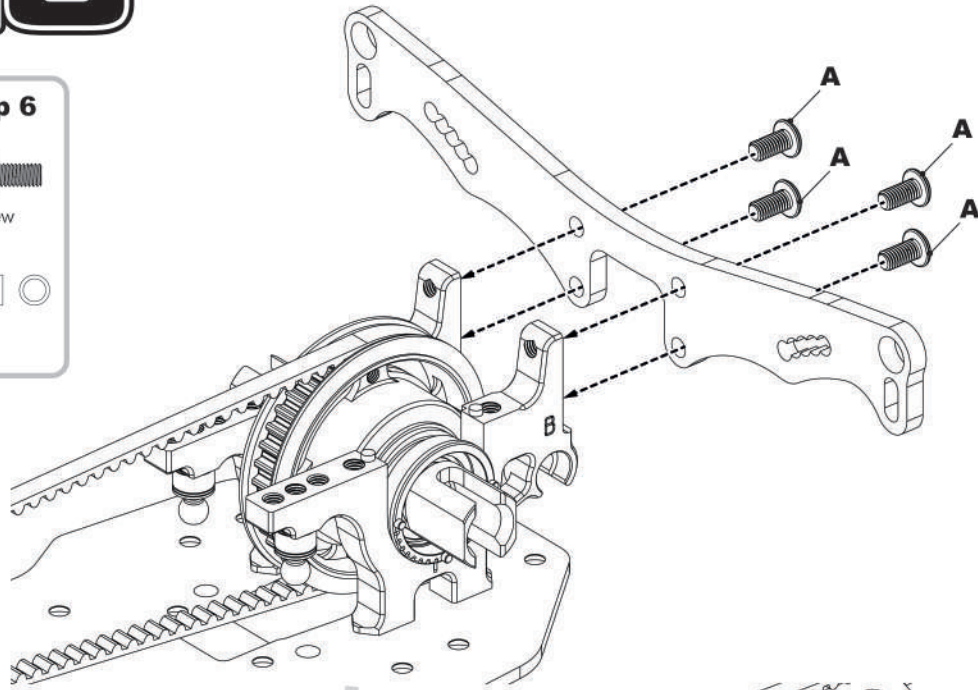



M3 x 6 Button Hd Screw

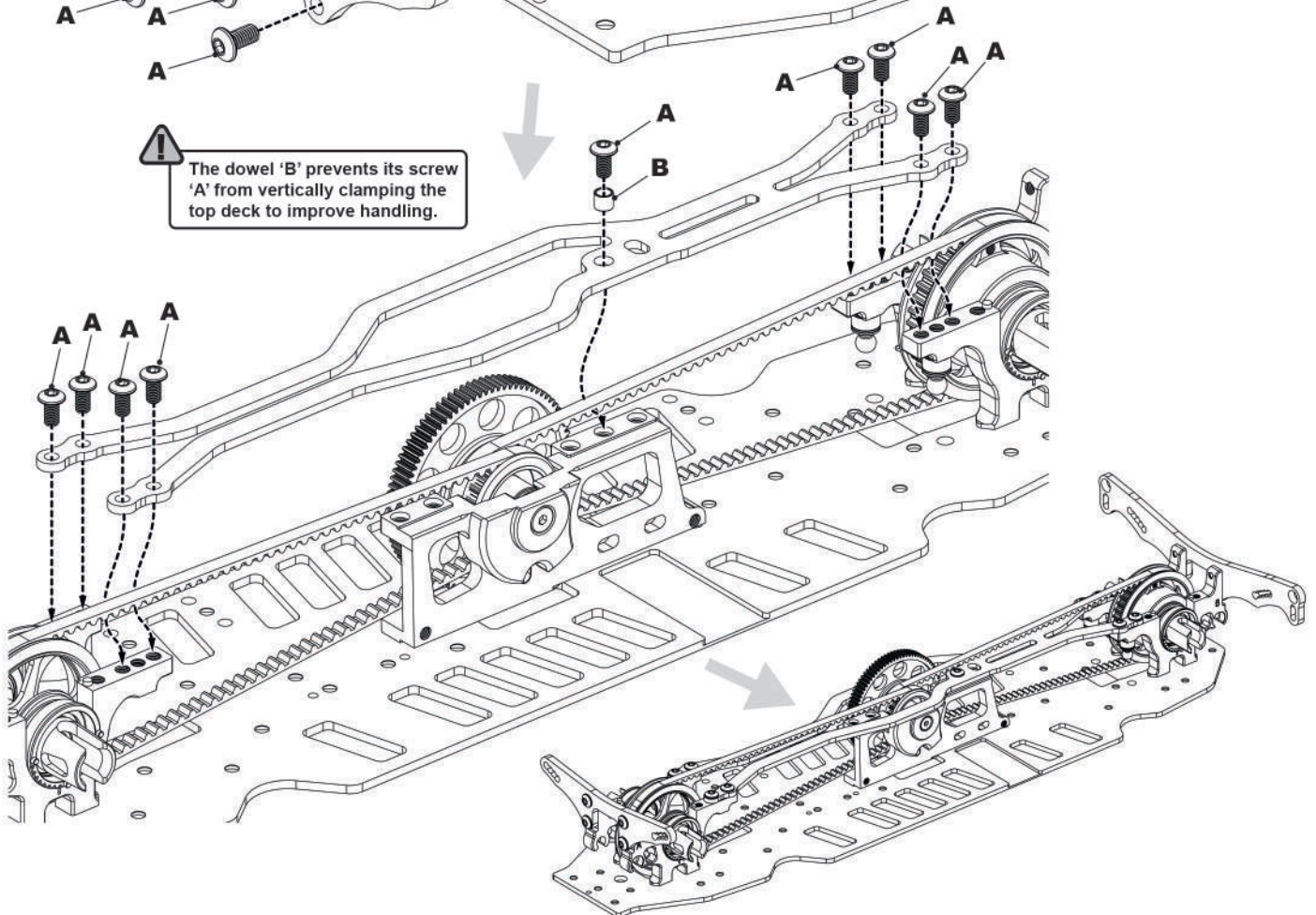
**B x1**



Dowel  
ø3 x ø4 x 3.5



 The dowel 'B' prevents its screw 'A' from vertically clamping the top deck to improve handling.



## BAG A - Step 7

**A x1**  
M3 x 8 Cap Hd Screw

**B x4**  
M3 Washer

**C x8**  
Black 1.0 mm

**D x8**  
Low Ball Short

**E x8**  
M3 x 6 Button Hd Screw

**F x4**  
M2.5 x 4 Cone Grub Screw

**G x8**  
M3 Thread Insert

Use screw 'A' and washers 'B' to fit the inserts 'G'. (Keep 'A' and 'B' safe for later.)

Tighten screw 'A' until the M3 thread insert 'G' is pulled into the carbon fibre part as shown.

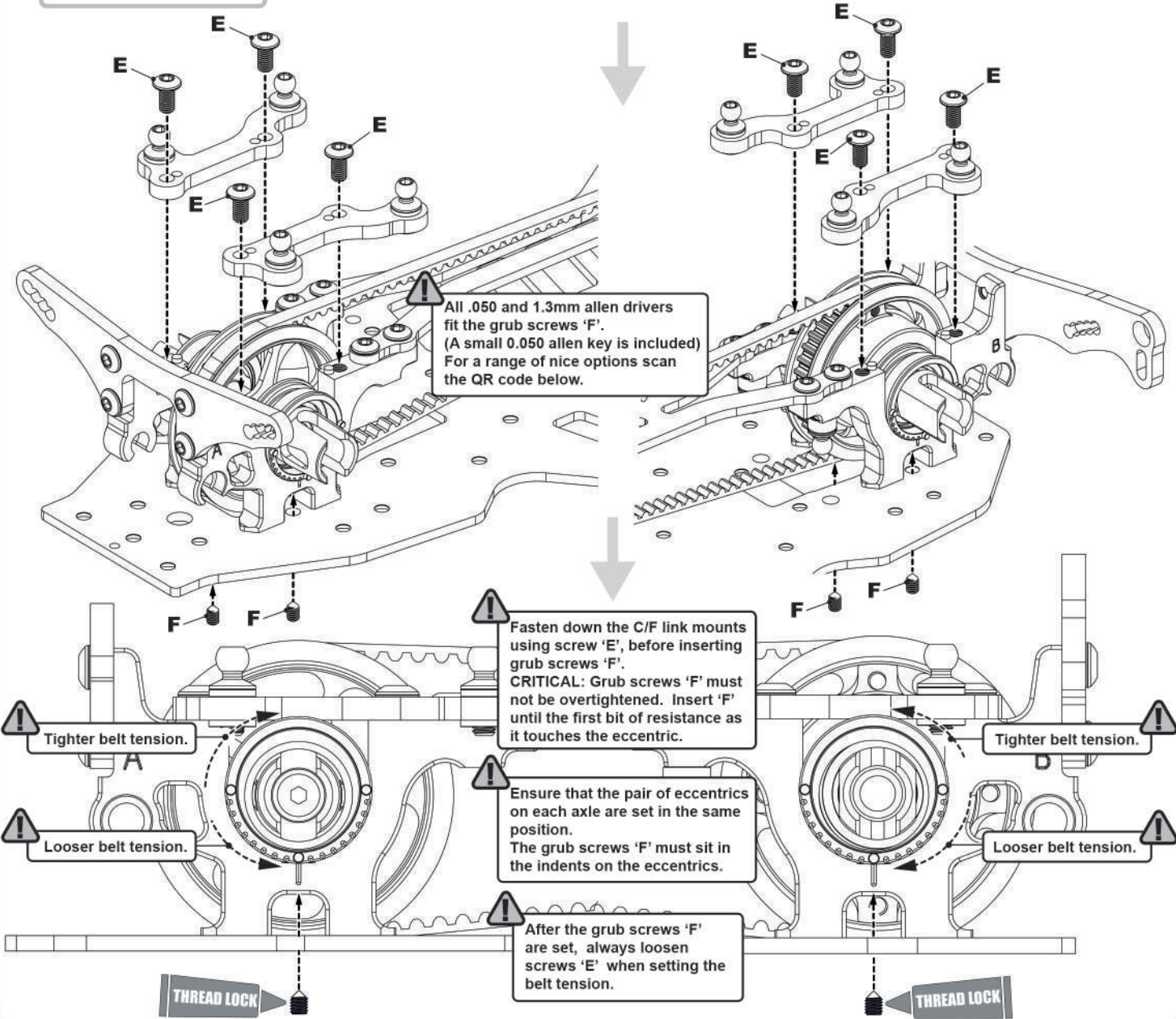
Make 2 pairs of these with the same process.

All .050 and 1.3mm allen drivers fit the grub screws 'F'. (A small 0.050 allen key is included) For a range of nice options scan the QR code below.

Fasten down the C/F link mounts using screw 'E', before inserting grub screws 'F'. CRITICAL: Grub screws 'F' must not be overtightened. Insert 'F' until the first bit of resistance as it touches the eccentric.








Ensure that the pair of eccentrics on each axle are set in the same position. The grub screws 'F' must sit in the indents on the eccentrics.

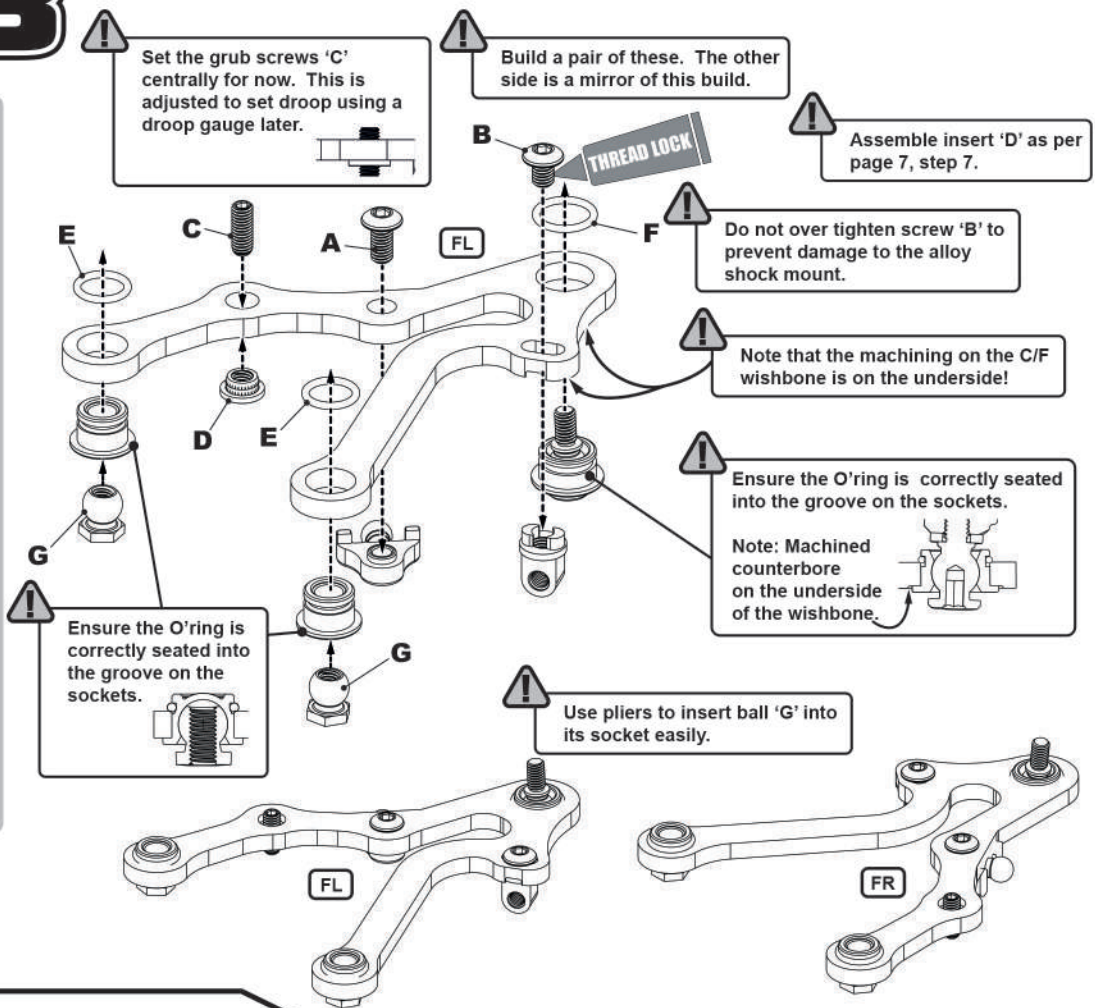
After the grub screws 'F' are set, always loosen screws 'E' when setting the belt tension.












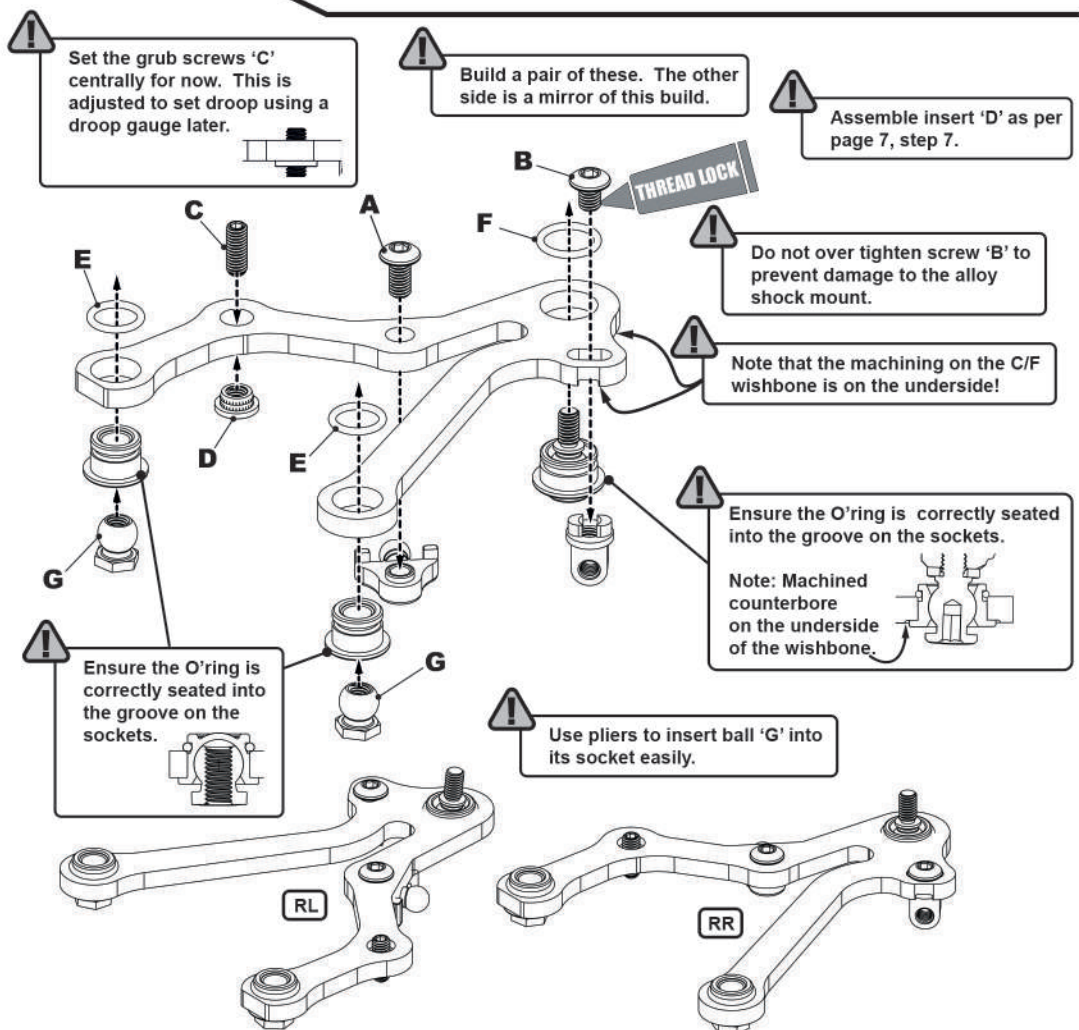
## BAG A - Step 8

- A x2**  M3 x 6 Button Hd Screw
- B x2**  M3 x 4 Button Hd Screw
- C x2**  M3 x 8 Patched Grub Screw
- D x2**  M3 Thread Insert
- E x4**  O-ring ø5 x 1.0
- F x2**  O-ring ø6 x 1.0
- G x4**  Pivot Ball



## BAG B - Step 9

- A x2**  M3 x 6 Button Hd Screw
- B x2**  M3 x 4 Button Hd Screw
- C x2**  M3 x 8 Patched Grub Screw
- D x2**  M3 Thread Insert
- E x4**  O-ring ø5 x 1.0
- F x2**  O-ring ø6 x 1.0
- G x4**  Pivot Ball



## BAG B - Step 10

**A** x8

M3 x 8 Csk Hd Screw



**B** x8

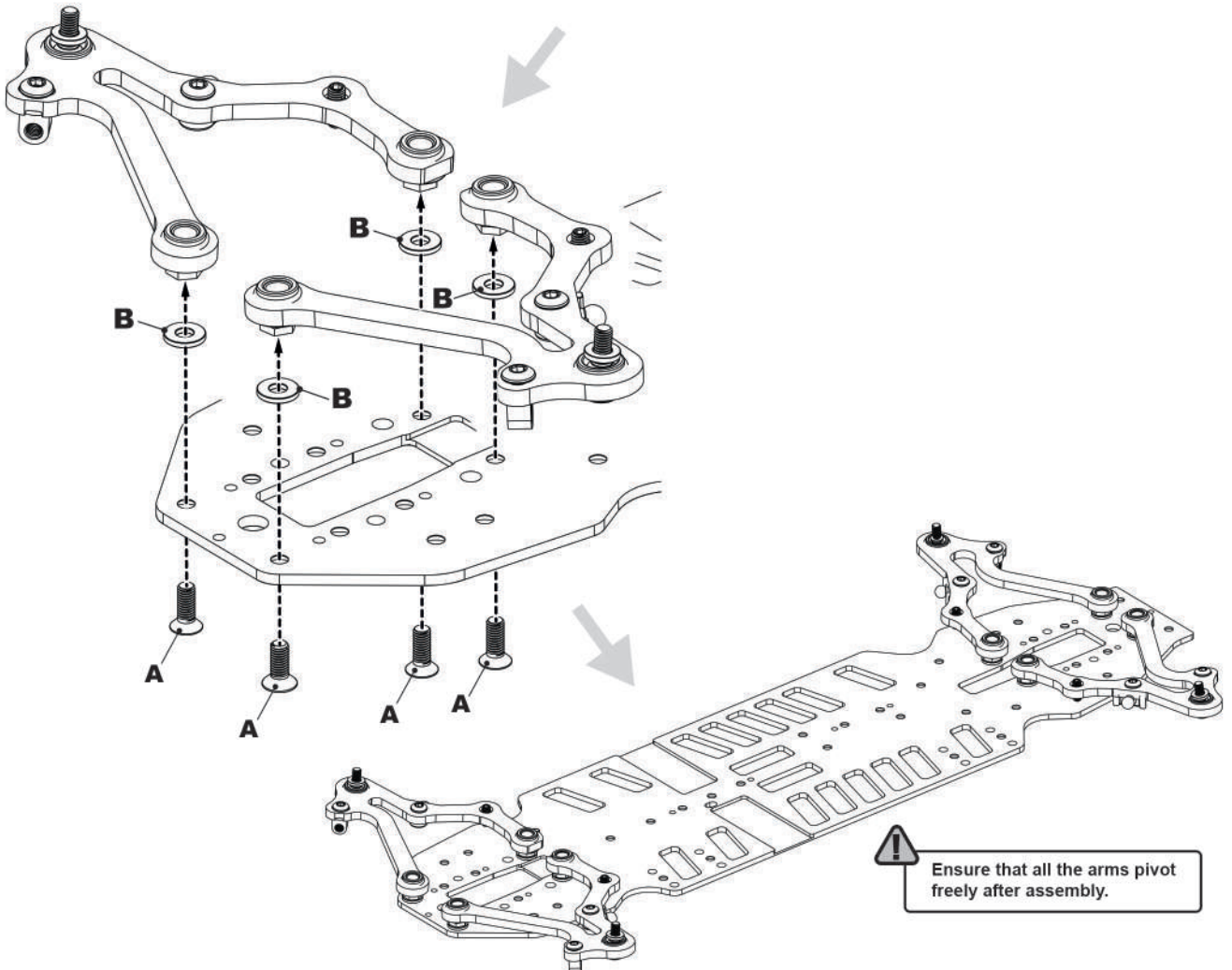
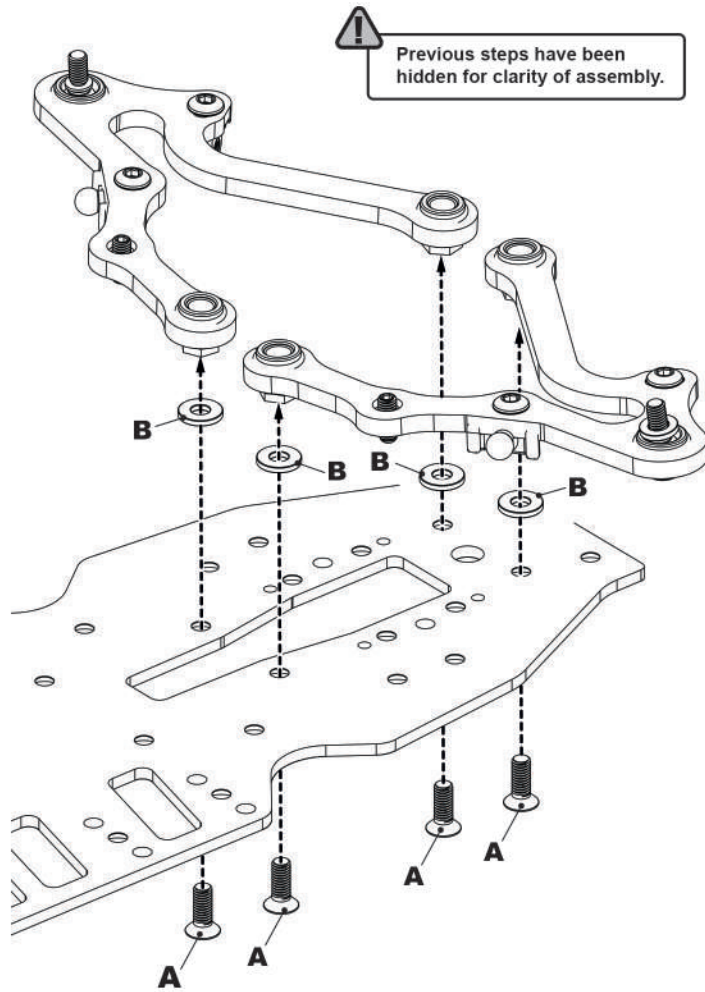
Grey 1mm Washer



**IMPORTANT:** Screws 'A' are included in silver aluminium and black steel options. The silver aluminium screws should be used with the C/F chassis kit option. These help to prevent chassis damage in a heavy crash.



Previous steps have been hidden for clarity of assembly.



Ensure that all the arms pivot freely after assembly.

## BAG B - Step 11

**A x4**



M3 x 8 Button Hd Screw

**B x2**



M3 Thread Insert

**C x4**



Black 1.0 mm

**D x2**



M3 x 2 Grub Screw

**E x2**

Bearing Spacer  
ø5 x ø7 x 1.5



**F x2**

Bearing  
ø5 x ø10 x 4



**G x2**

Bearing  
ø5 x ø10 x 3



**H x2**

Pin ø1.5 x 9.8



**I x2**

Low Ball Ultra Short




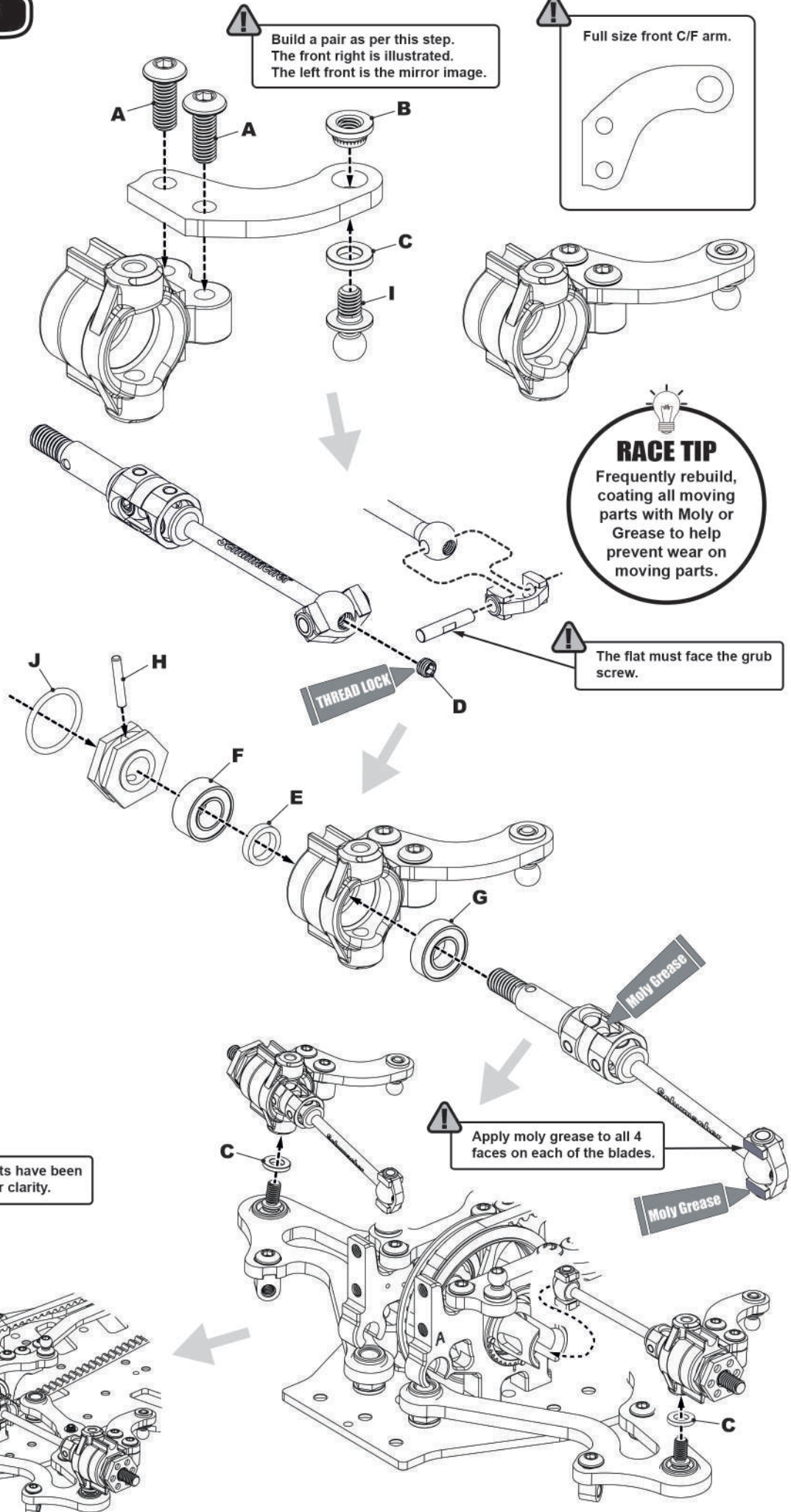
**J x2**

O'ring ø9 x 1.0



Build a pair as per this step.  
The front right is illustrated.  
The left front is the mirror image.

Full size front C/F arm.  


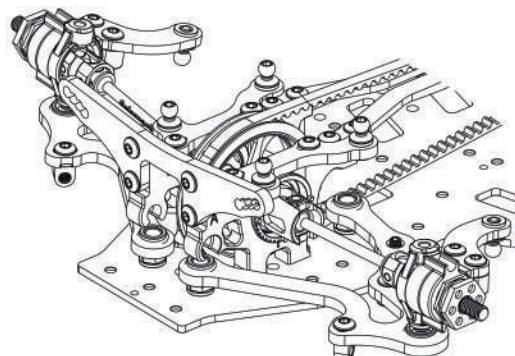


**RACE TIP**  
Frequently rebuild, coating all moving parts with Moly or Grease to help prevent wear on moving parts.

The flat must face the grub screw.

Some parts have been hidden for clarity.

Apply moly grease to all 4 faces on each of the blades.



## BAG B - Step 12

**A x4**

M3 x 8 Button Hd Screw

**B x2**

M3 Thread Insert

**C x2**

Black 2.0 mm

**D x2**

M3 x 2 Grub Screw

**E x2**

Bearing Spacer  
ø5 x ø7 x 1.5

**F x4**

Bearing  
ø5 x ø10 x 4

**G x2**

Pin ø1.5 x 9.8

**H x2**

Low Ball Short

**I x2**

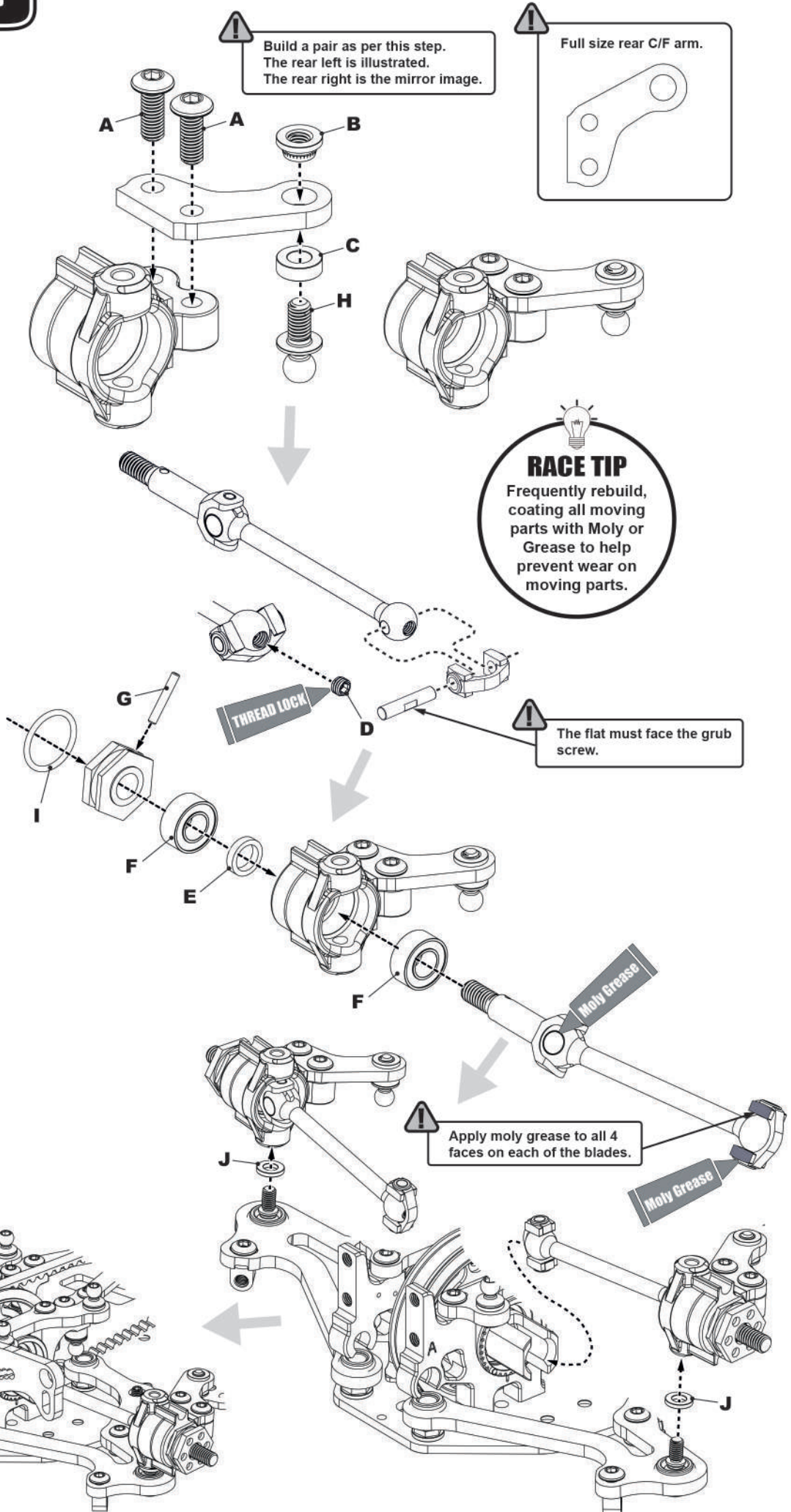
O'ring ø9 x 1.0

**J x2**

Black 1.0 mm

**!** Build a pair as per this step.  
The rear left is illustrated.  
The rear right is the mirror image.

**!** Full size rear C/F arm.



### RACE TIP

Frequently rebuild, coating all moving parts with Moly or Grease to help prevent wear on moving parts.

**!** The flat must face the grub screw.

**!** Apply moly grease to all 4 faces on each of the blades.

## BAG B - Step 13 part 1

A x2



M3 x 8 Button Hd Screw

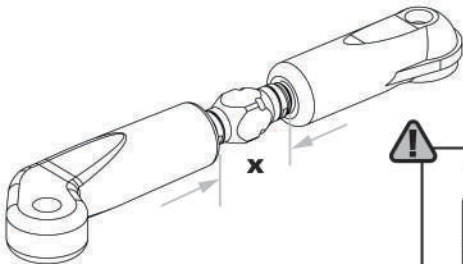
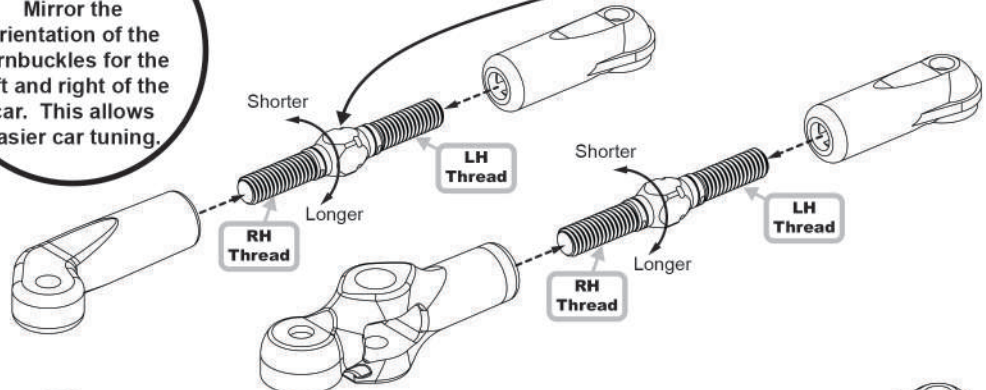
See Page 23 for alternative single turnbuckle upper arm design. The upper wishbone conversion removes castor adjustment.

Note the shape of the turnbuckle. This groove indicates the left hand thread.



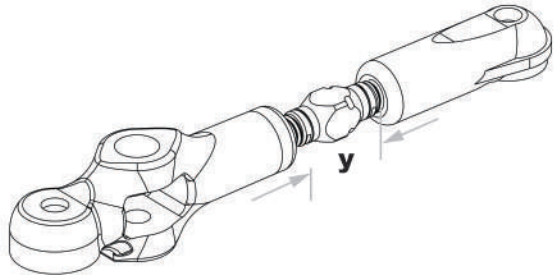
**RACE TIP**  
Mirror the orientation of the turnbuckles for the left and right of the car. This allows easier car tuning.

Note: All 8 turnbuckles in this step are 25mm long.



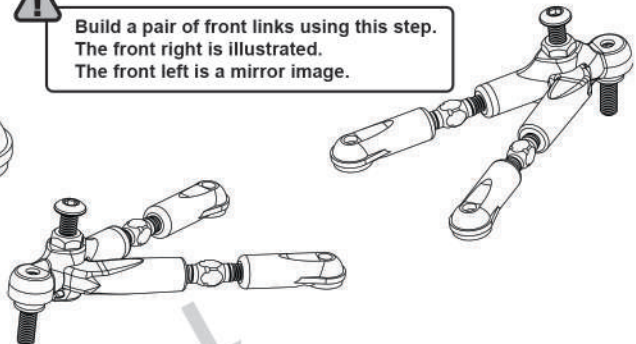
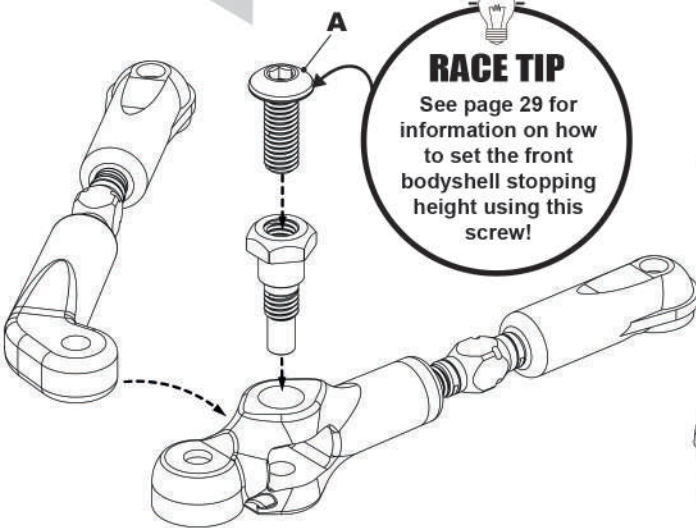
**Turnbuckle Lengths**

	x	y
Front	11.1	11.1
Rear	9.6	9.6

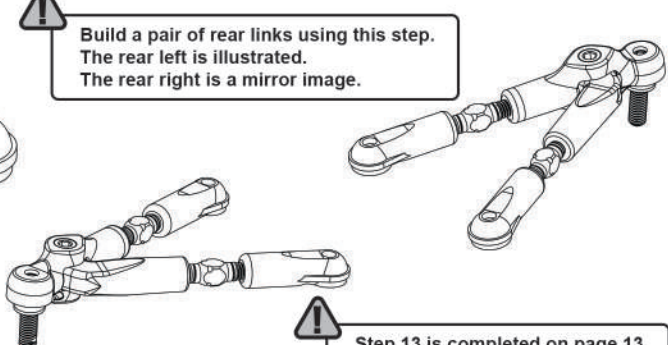
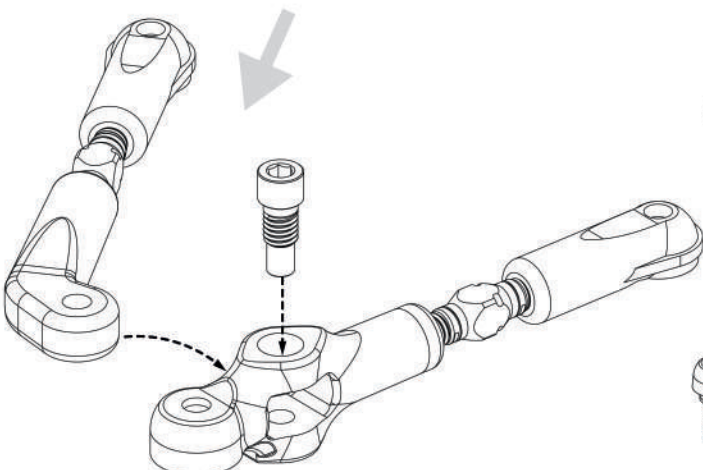


**RACE TIP**  
See page 29 for information on how to set the front bodyshell stopping height using this screw!

Build a pair of front links using this step. The front right is illustrated. The front left is a mirror image.



Build a pair of rear links using this step. The rear left is illustrated. The rear right is a mirror image.

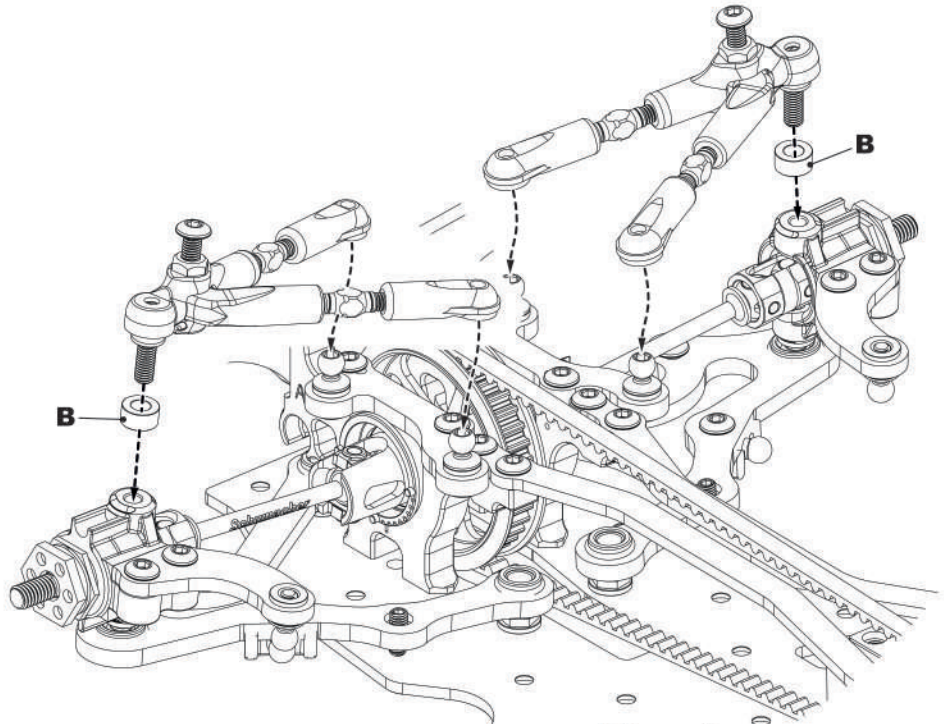


Step 13 is completed on page 13.

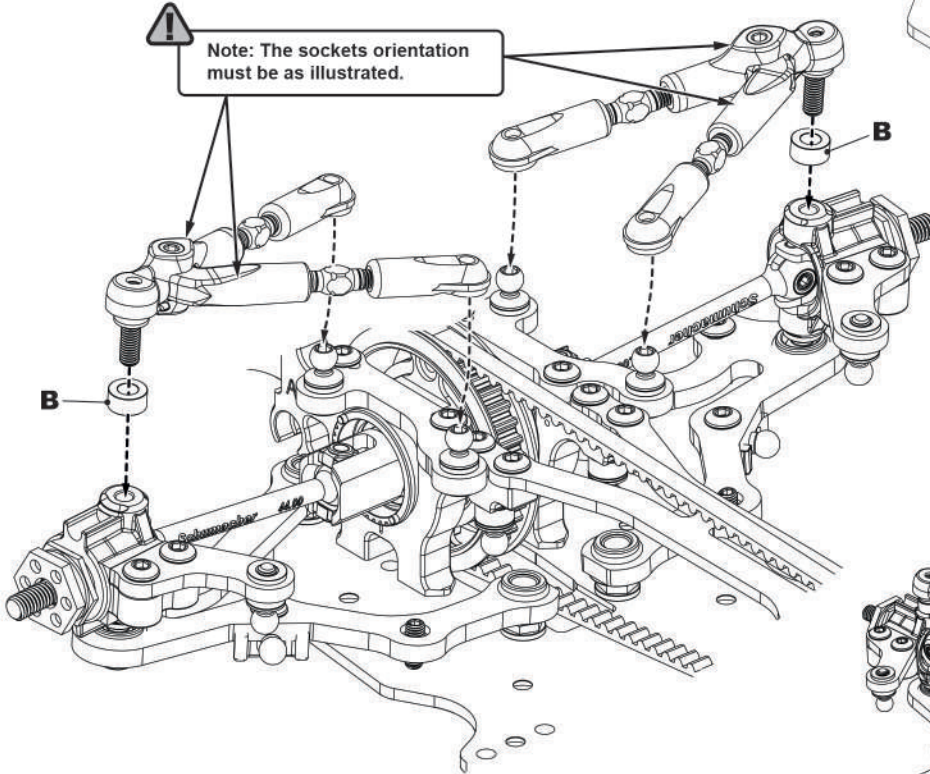
## BAG B - Step 13 part 2

**B x4**

Black 3.0 mm

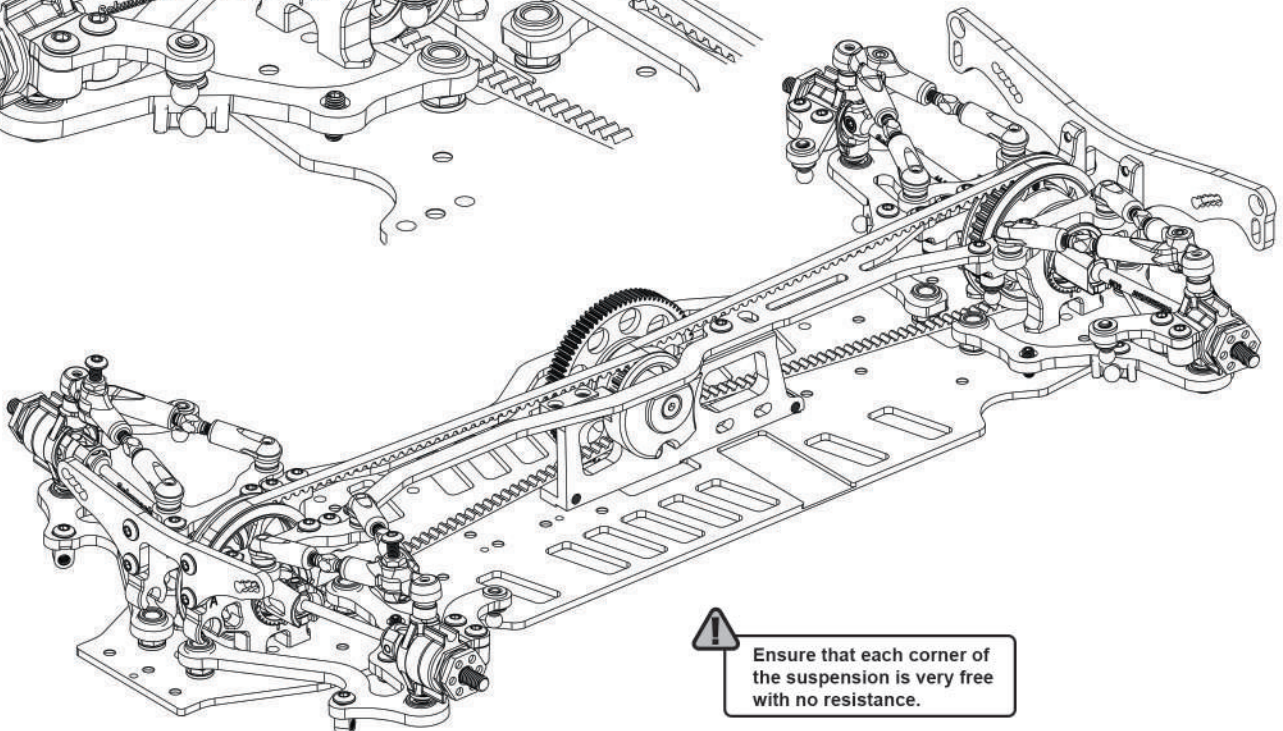


**!** Note: The sockets orientation must be as illustrated.



### RACE TIP

Do not replace the washer 'B' with less than 3mm. This can lead to the ball stud touching the driveshaft. Instead, adjust the inner height by adding to the 1mm washers.



**!** Ensure that each corner of the suspension is very free with no resistance.

## BAG B - Step 14

**A x4**

M3 x 3 Grub Screw

**B x4**

Bearing  
ø1/8" x ø1/4"

**C x4**

M3 x 4 Grub Screw

! The front anti roll bar assembly is illustrated. Build the front and rear using the same process.

! Position the roll bar under the driveshafts before inserting the bearings into the transmission housings.

! The kit front roll bar is 1.4mm (4 lines).  
The kit rear roll bar is 1.2mm (2 lines).

! Note the groove orientation when sliding these onto the anti roll bar.

! The grub screws should be facing upwards when tightened.

! Make sure the roll bars are positioned in the centre of the clamps, after the grub screws 'A' are tightened.

! Some parts have been hidden for clarity.

! Tighten the grub screws with the drop links at 90° to the roll bar wire.

90°

## BAG B - Step 15

**A x2**

M3 x 10 Csk Screw

**B x2**

ø3.0 x ø4.5 x 0.25

**C x2**

M3 x 6 Grub Screw

**D x1**

Black (larger offset)  
Ball Stud Ultra Short

**E x2**

(Smaller offset)  
Low Ball Ultra Short

**F x2**

M3 x 4 Button Hd

**G x2**

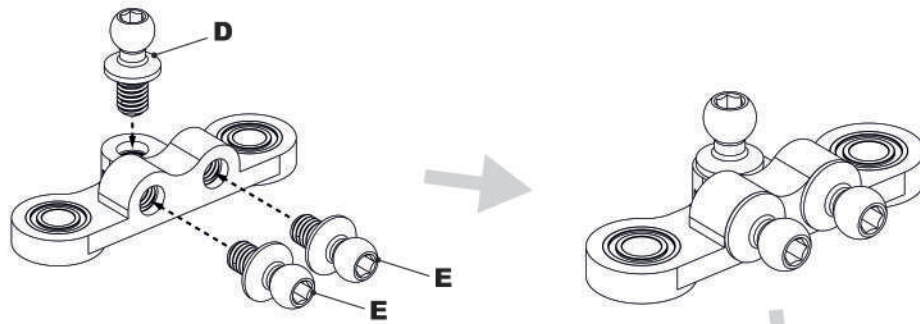
ø4 x ø5.65 x 1

**H x4**

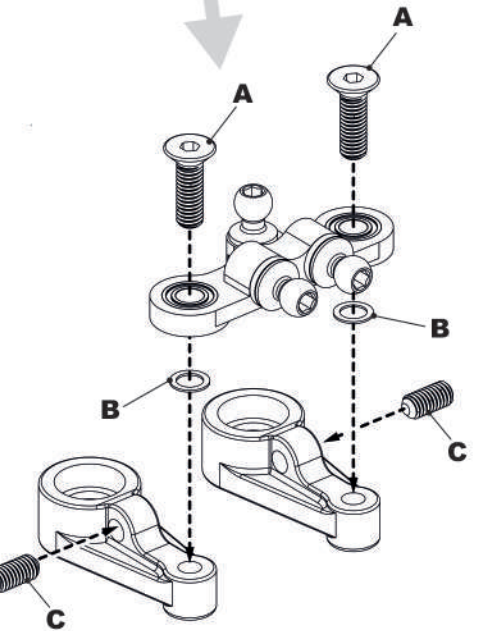
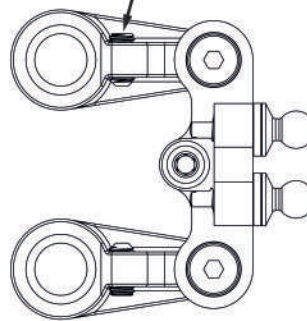
ø4 x ø8 x 3

**I x2**

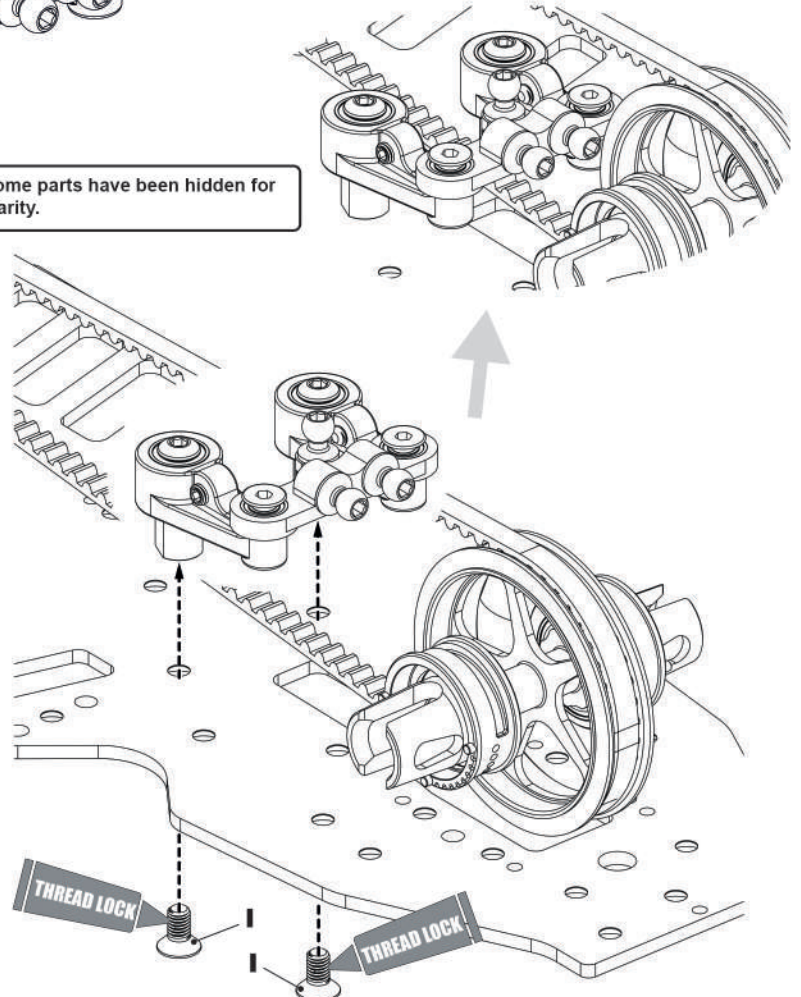
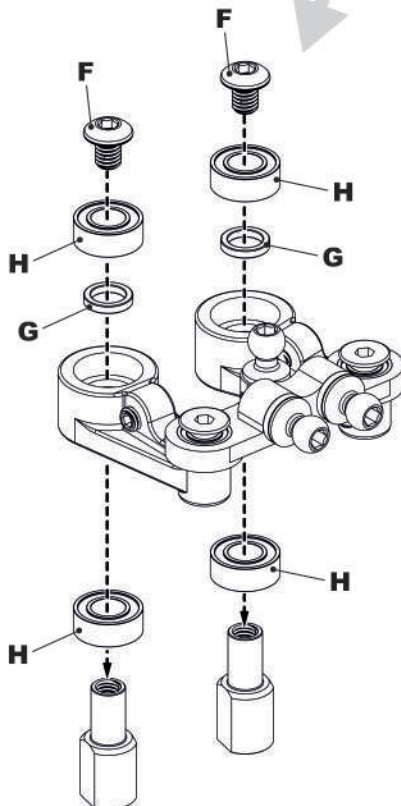
M3 x 6 Csk Screw



Assemble the grub screw central to the radius arms. This is used as a lock stop when setting up the steering travel later. Adjust so the alloy centre track rod lightly touches the grub screw at full lock.



Some parts have been hidden for clarity.





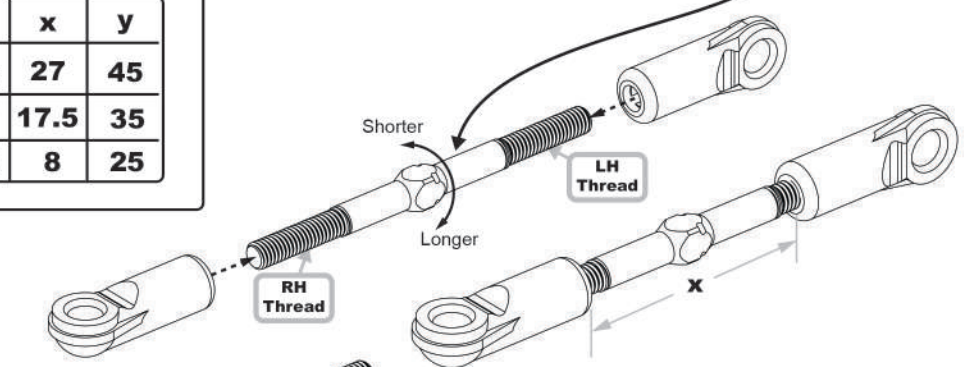
## BAG C - Step 16

Turnbuckle Lengths (mm)

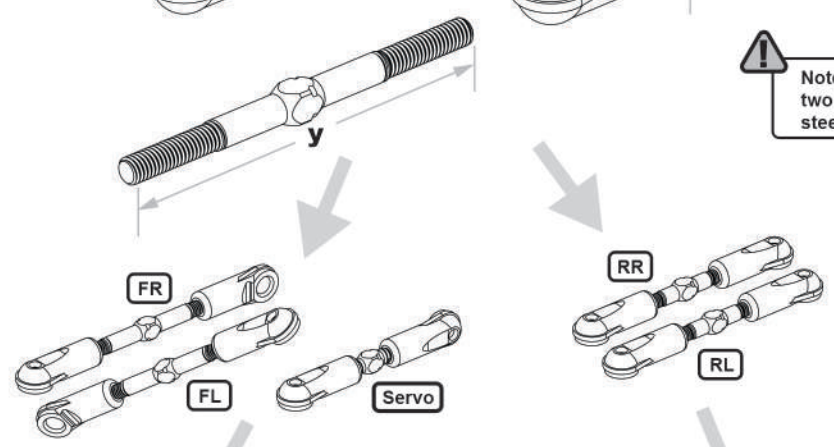
	x	y
Front	27	45
Rear	17.5	35
Servo	8	25

! Note the shape of the turnbuckle. This groove indicates the left hand thread.

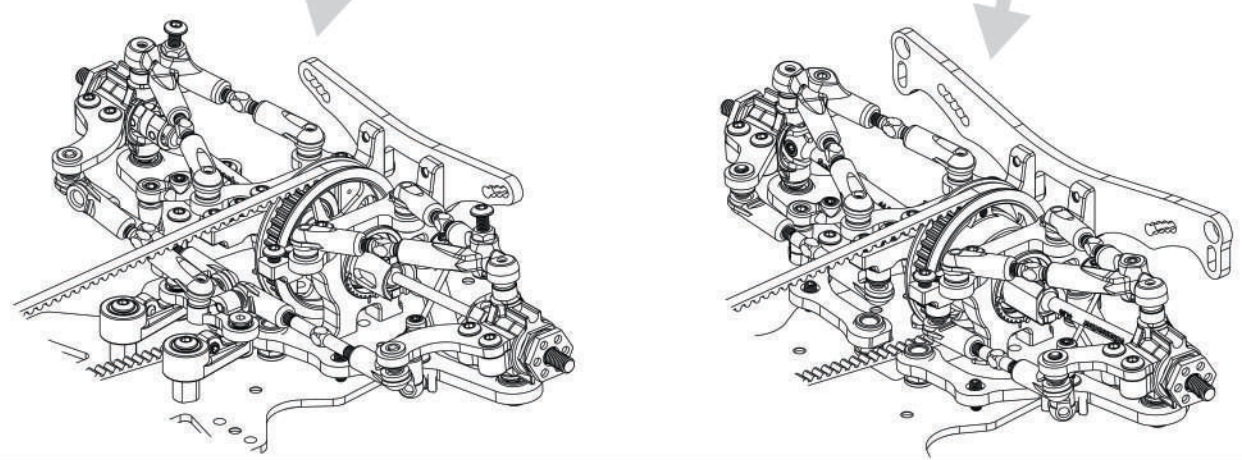
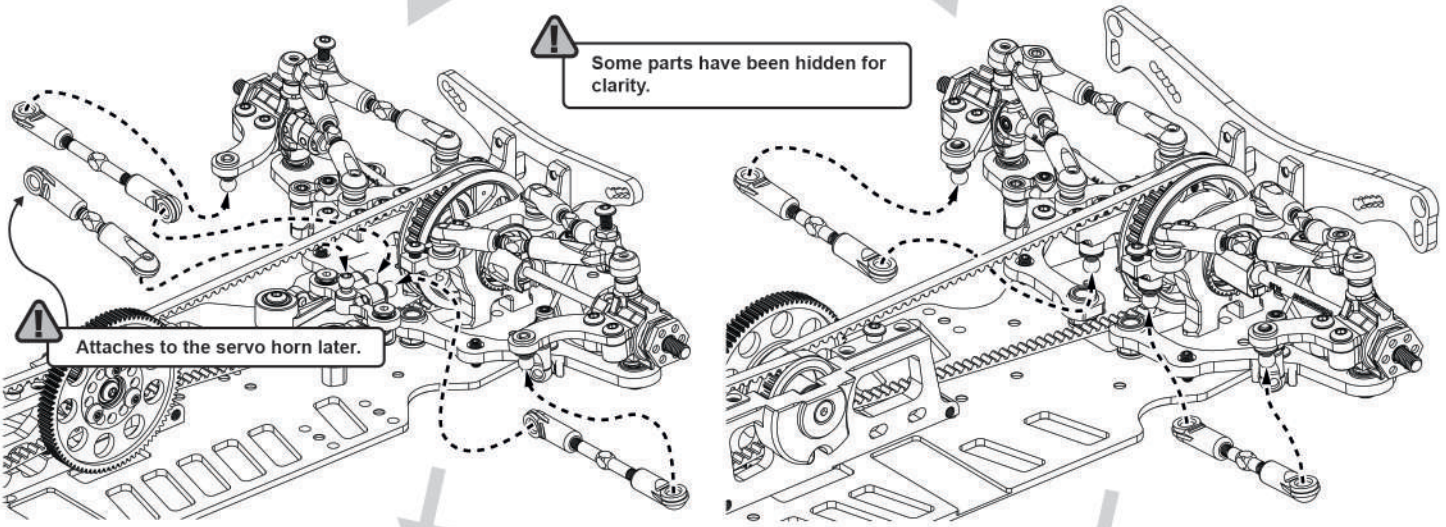
RH Thread      LH Thread



! Note the 90° angle between the two sockets on the front three steering / servo turnbuckles.



! Some parts have been hidden for clarity.



## BAG C - Step 17

**A x1**  
M3 x 8 Button Hd

**B x1**  
Ball Stud Short

**C x1**  
M3 Nut

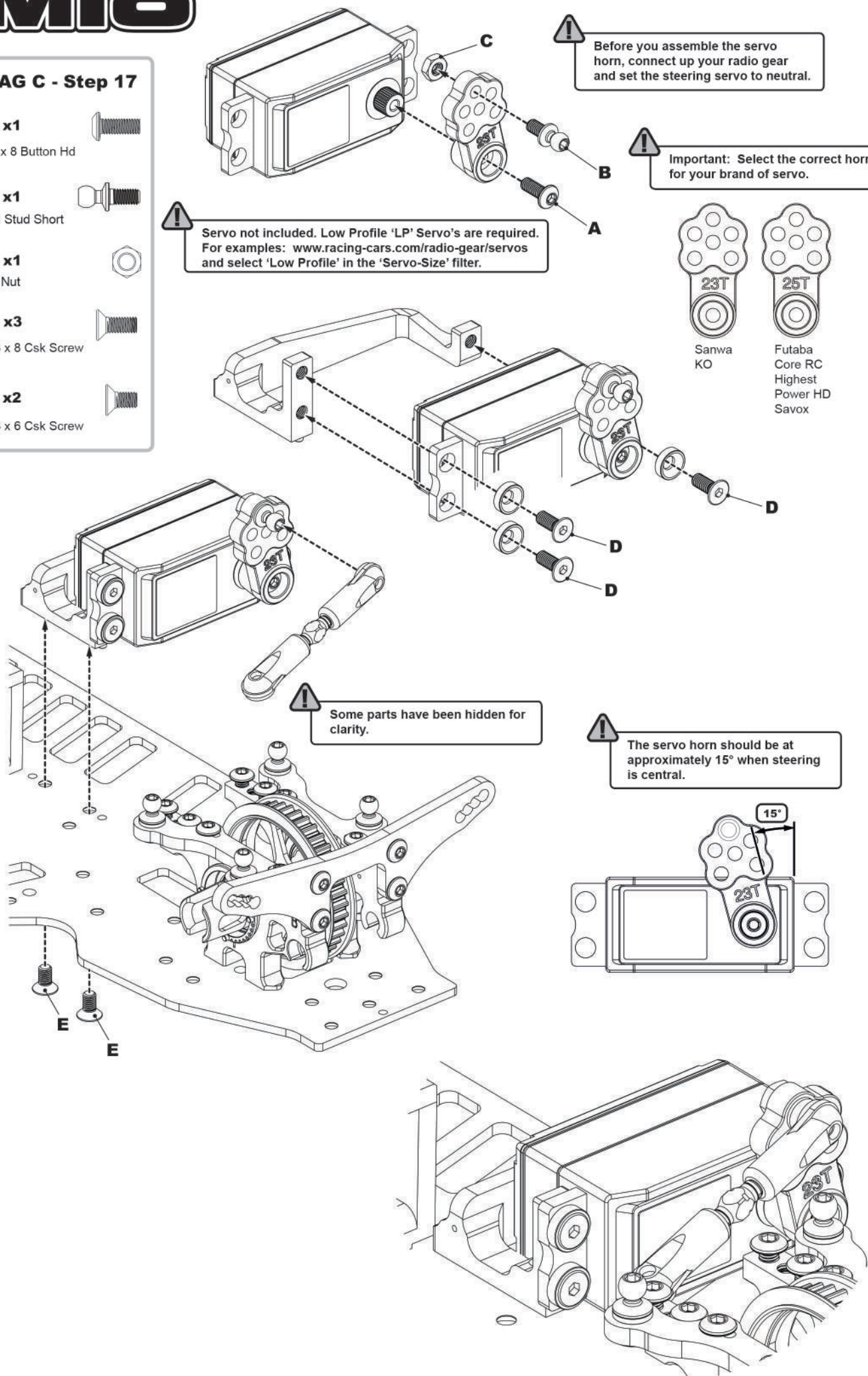
**D x3**  
M3 x 8 Csk Screw

**E x2**  
M3 x 6 Csk Screw

⚠ Servo not included. Low Profile 'LP' Servo's are required. For examples: [www.racing-cars.com/radio-gear/servos](http://www.racing-cars.com/radio-gear/servos) and select 'Low Profile' in the 'Servo-Size' filter.

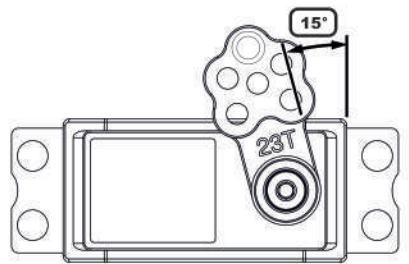
⚠ Before you assemble the servo horn, connect up your radio gear and set the steering servo to neutral.

⚠ Important: Select the correct horn for your brand of servo.



⚠ Some parts have been hidden for clarity.

⚠ The servo horn should be at approximately 15° when steering is central.



## BAG C - Step 18

**A x12**

Shim 0.05



**B x4**

M2 x 6 Csk Screw



**C x4**

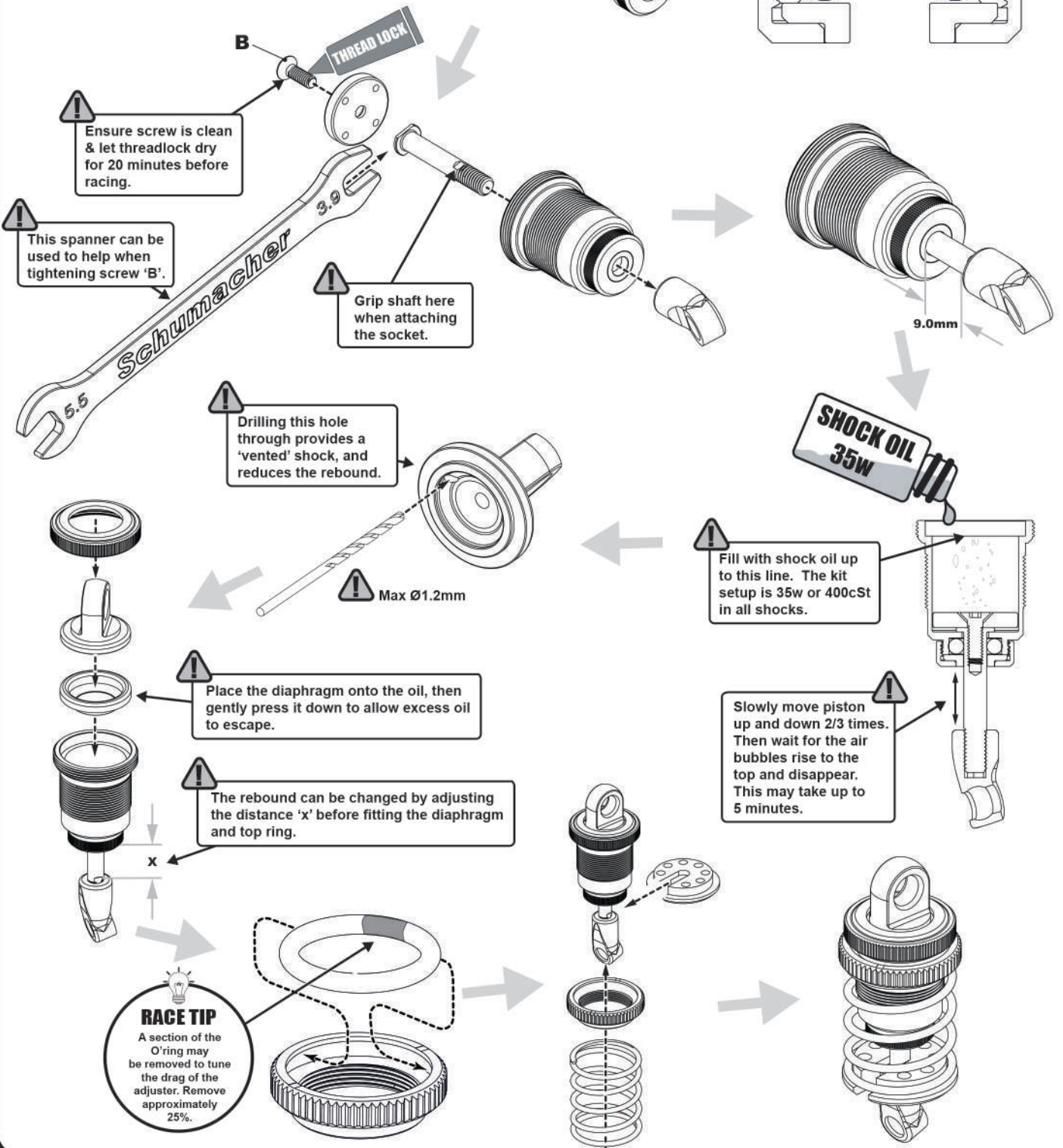
Red 'O' Ring



For better sealing add shims. 'A'  
For less friction remove shims.  
We suggest to start with 2 shims.

Make four shocks the same.

The factory setting has  
2 shims here.



## BAG C - Step 19

**A x4**

Black 0.5 mm



**B x4**

Ball Stud Ultra Short



**C x4**

M3 x 12 Button Hd



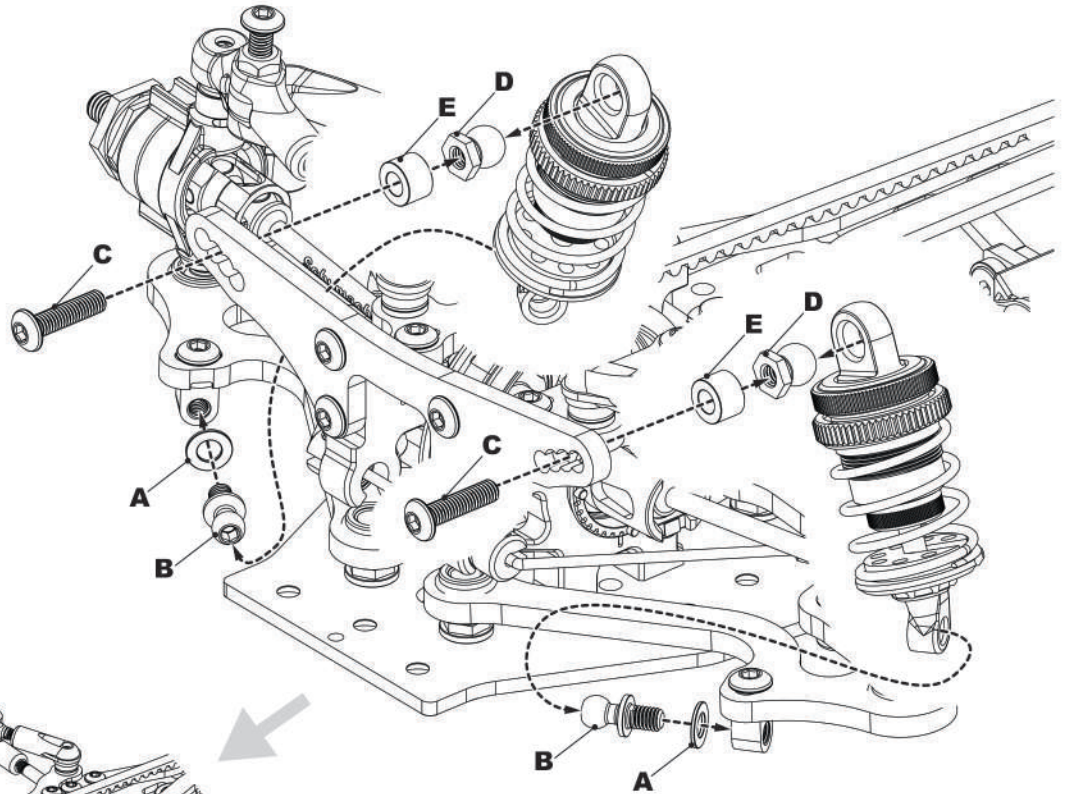
**D x4**

Pivot Ball

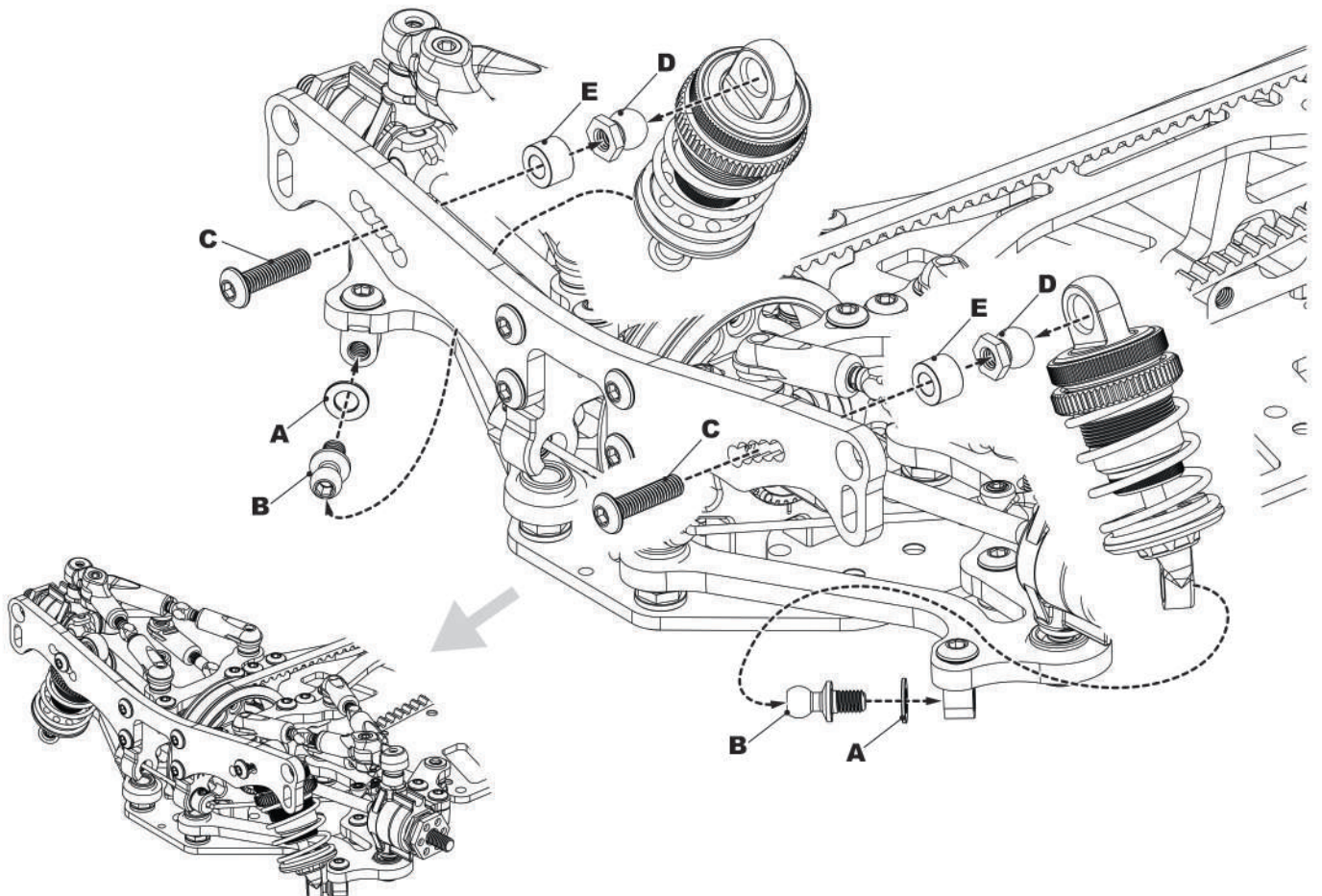


**E x4**

Black 4.0 mm



**!** Ensure the lower shock balls 'B' are fitted in the correct orientation.



# Mi8

## BAG C - Step 20

### A x2

Black 0.5 mm



### B x2

Grey 0.5 mm



### C x4

M3 x 12 Button Hd



### D x2

M3 x 16 Button Hd



### E x4

Black 3.0 mm



### F x2

M3 x 10 Csk Screw



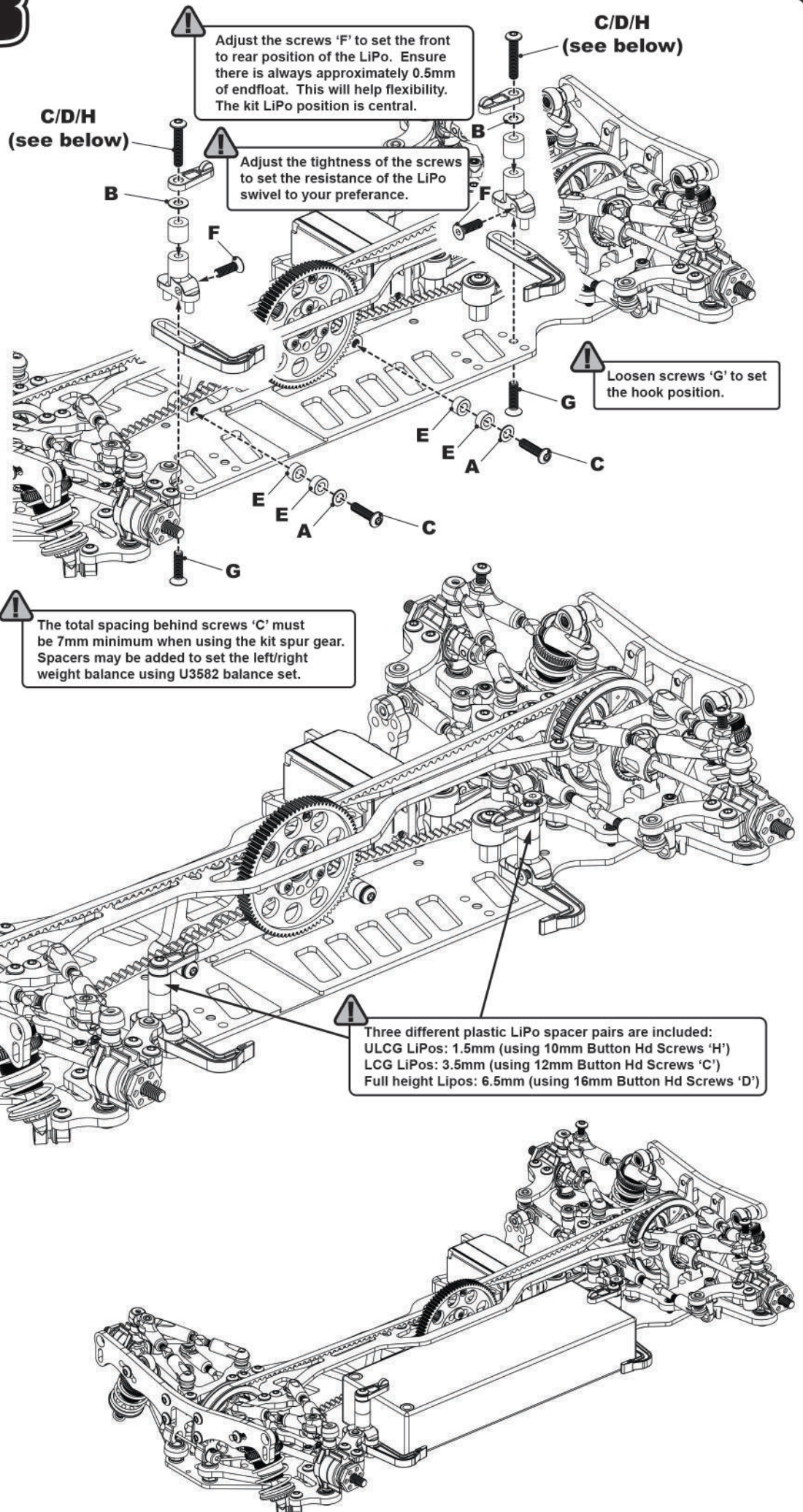
### G x2

M3 x 12 Csk Screw



### H x2

M3 x 10 Button Hd



Adjust the screws 'F' to set the front to rear position of the LiPo. Ensure there is always approximately 0.5mm of endfloat. This will help flexibility. The kit LiPo position is central.

C/D/H  
(see below)

C/D/H  
(see below)

Adjust the tightness of the screws to set the resistance of the LiPo swivel to your preference.

Loosen screws 'G' to set the hook position.

The total spacing behind screws 'C' must be 7mm minimum when using the kit spur gear. Spacers may be added to set the left/right weight balance using U3582 balance set.

Three different plastic LiPo spacer pairs are included:  
ULCG LiPos: 1.5mm (using 10mm Button Hd Screws 'H')  
LCG LiPos: 3.5mm (using 12mm Button Hd Screws 'C')  
Full height LiPos: 6.5mm (using 16mm Button Hd Screws 'D')

## BAG C - Step 21

**A x4**

Pin  $\phi 1.5 \times 11.8$

**B x2**

M3 x 10 Button Hd

**C x2**

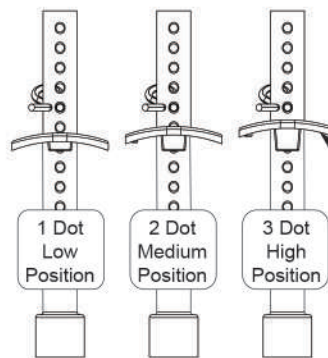
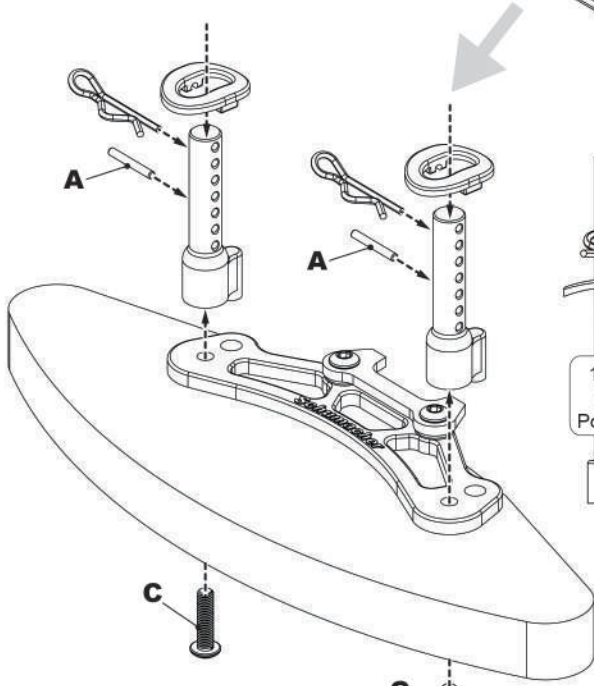
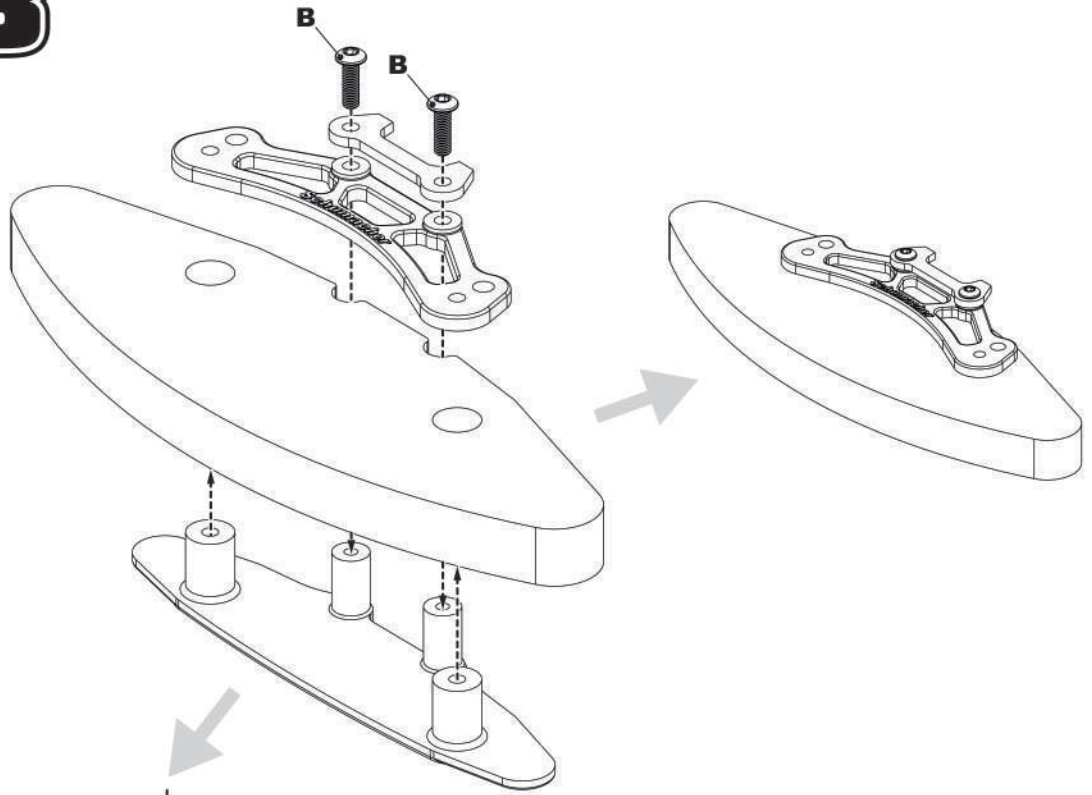
M3 x 12 Button Hd

**D x2**

M3 x 10 Csk Screw

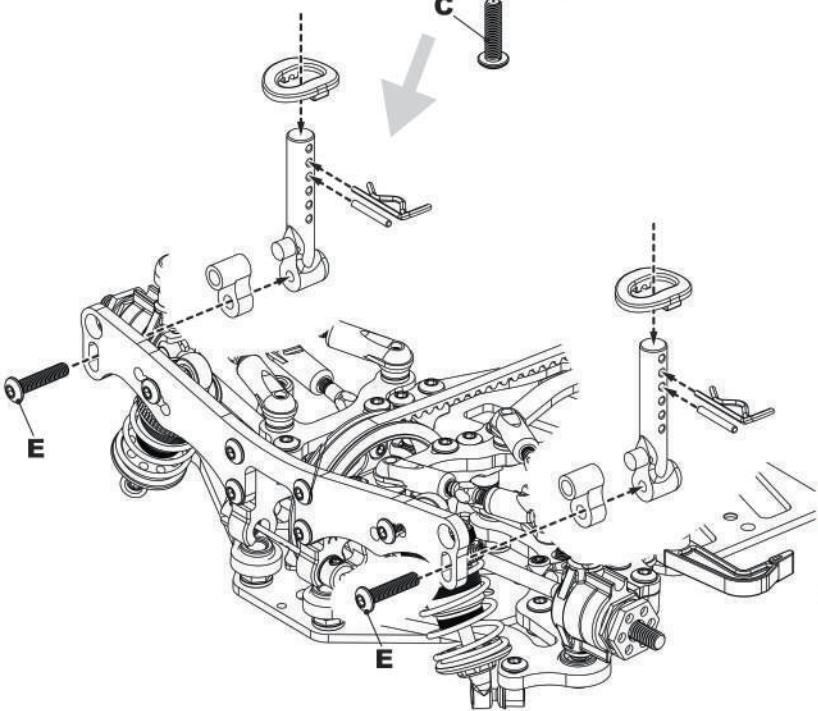
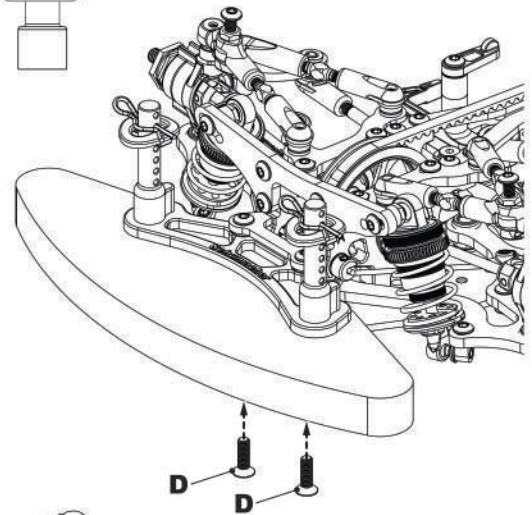
**E x2**

M3 x 14 Button Hd



**!** The bodyposts may be trimmed down for looks and aerodynamics. A sharp knife or side cutters may be used. Alternatively use: AM190041 - Arrowmax - Body Post Trimmer.

**!** The body hangers adjust the height of the body in 1.2mm steps. Note the dots on the underside.



## BAG C - Step 22

**A x2**

Black 1.0 mm



**B x2**

M3 x 10 Button Hd



**C x1**

M3 x 6 Csk Screw



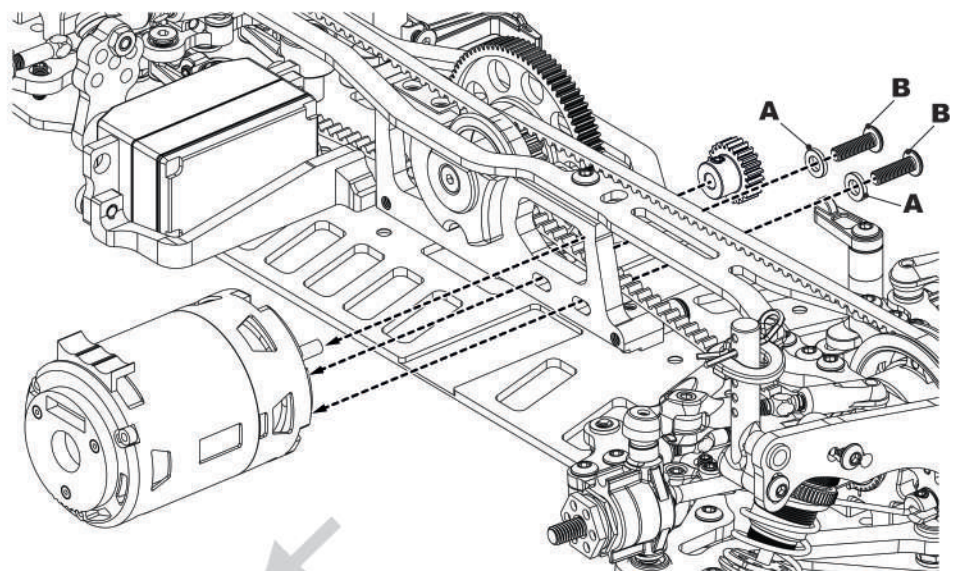
**D x1**

M3 x 4 Grub Screw

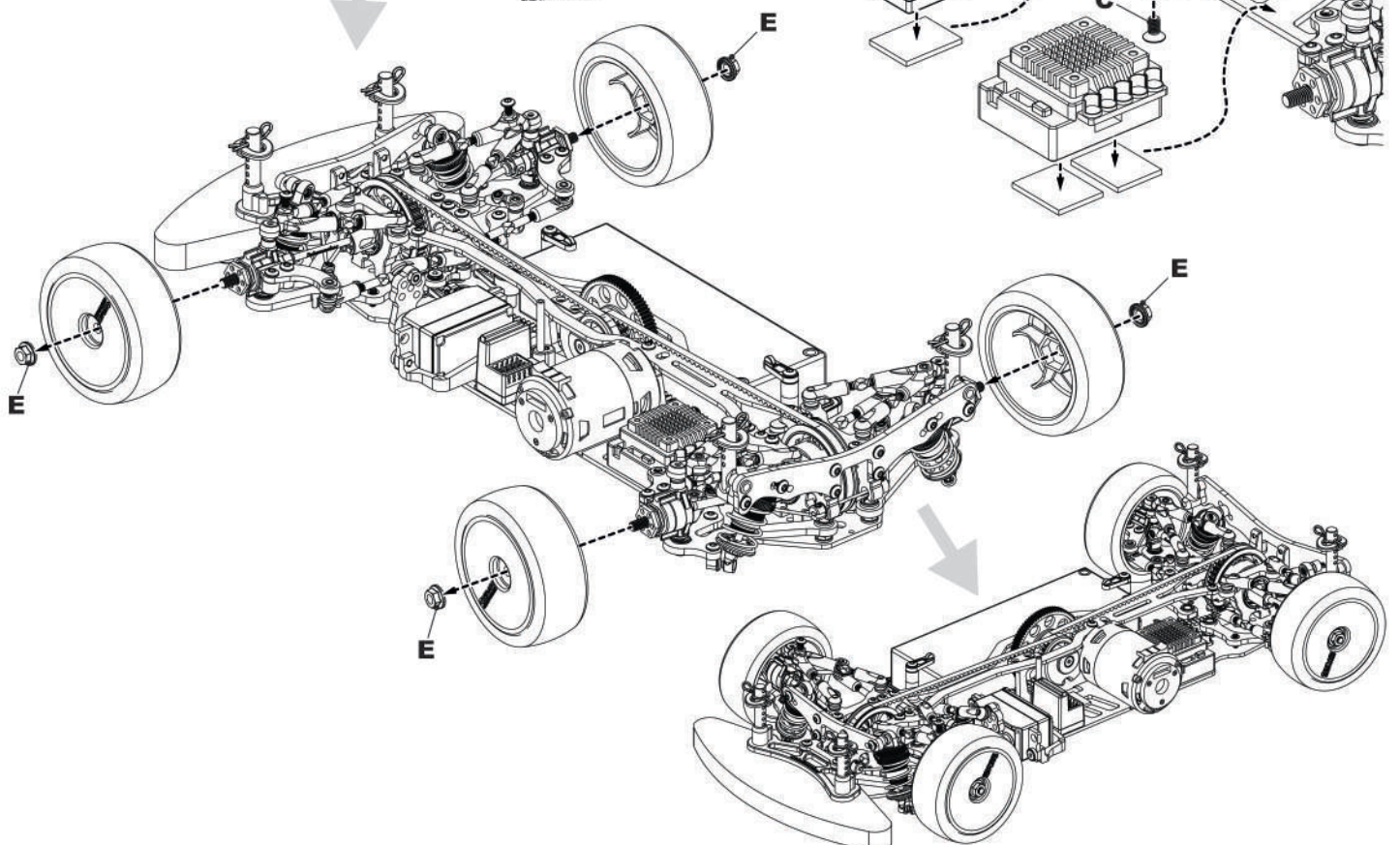
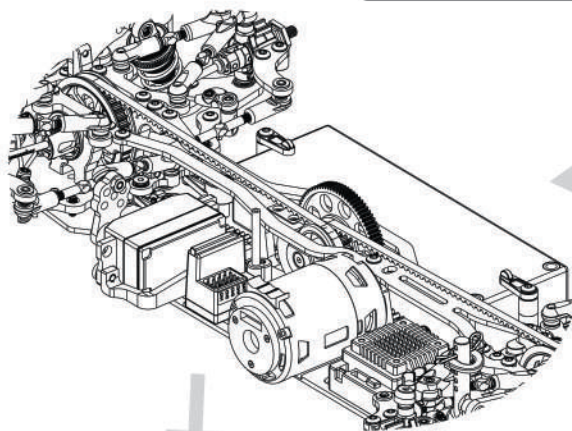
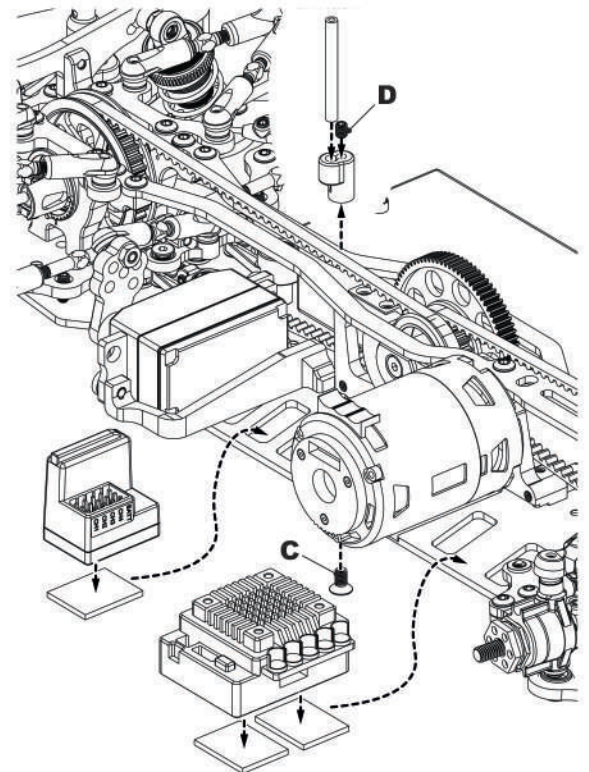


**E x4**

M4 Serrated Nut



Motor, pinion, receiver and E.S.C are not included.



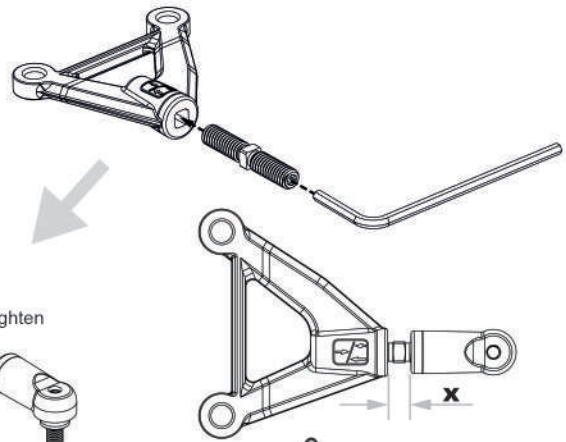
## Upper Wishbone Conversion

**A x4**

Black 3.0 mm  
(Supplied in kit)



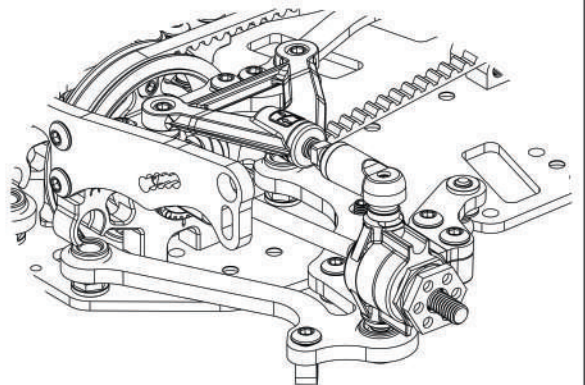
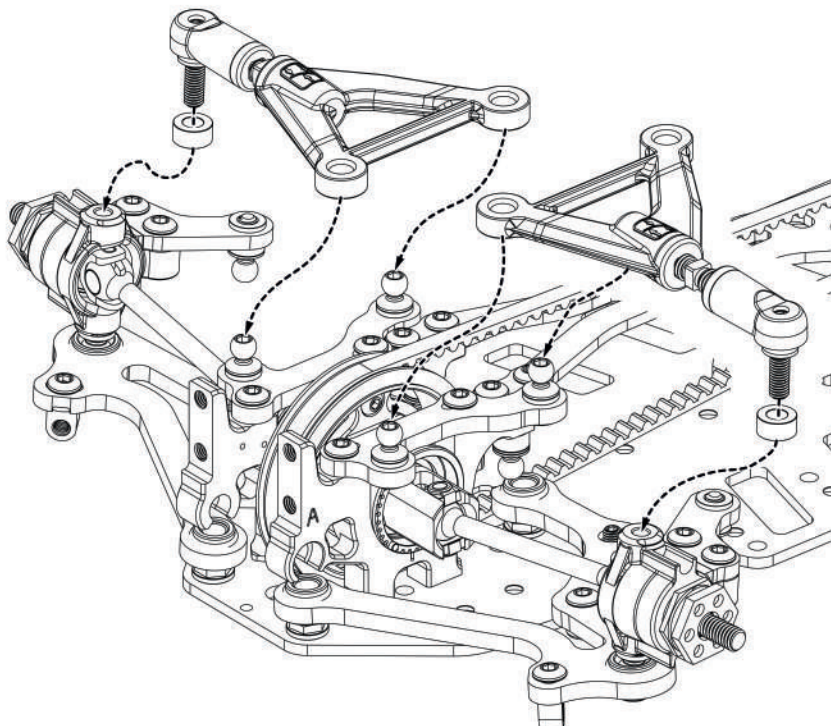
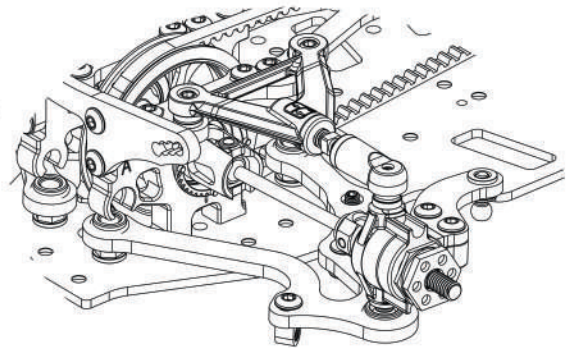
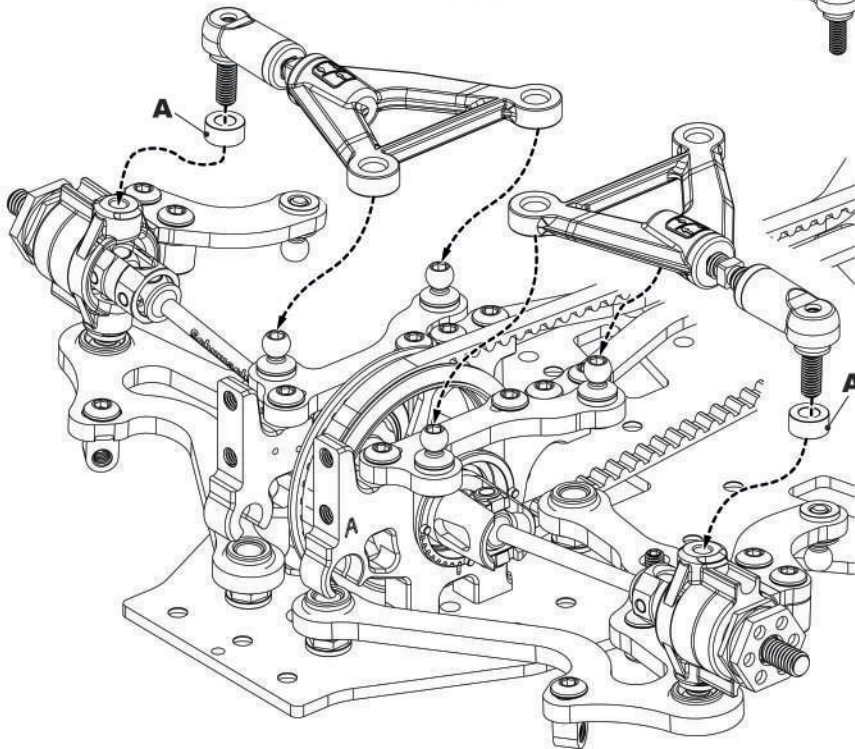
**!** This upper wishbone conversion is included in the kit. It simplifies the car set up, however provides less adjustability and performance.



Tighten  
Loosen

**!** Turnbuckle Lengths (mm)

	x
<b>Front</b>	<b>7.5</b>
<b>Rear</b>	<b>5.5</b>





## Optional Rear Body Post Set

**A x2**

Alloy M3 Nut



**B x2**

M3 x 10 Button Hd



**C x2**

M3 x 25 Button Hd



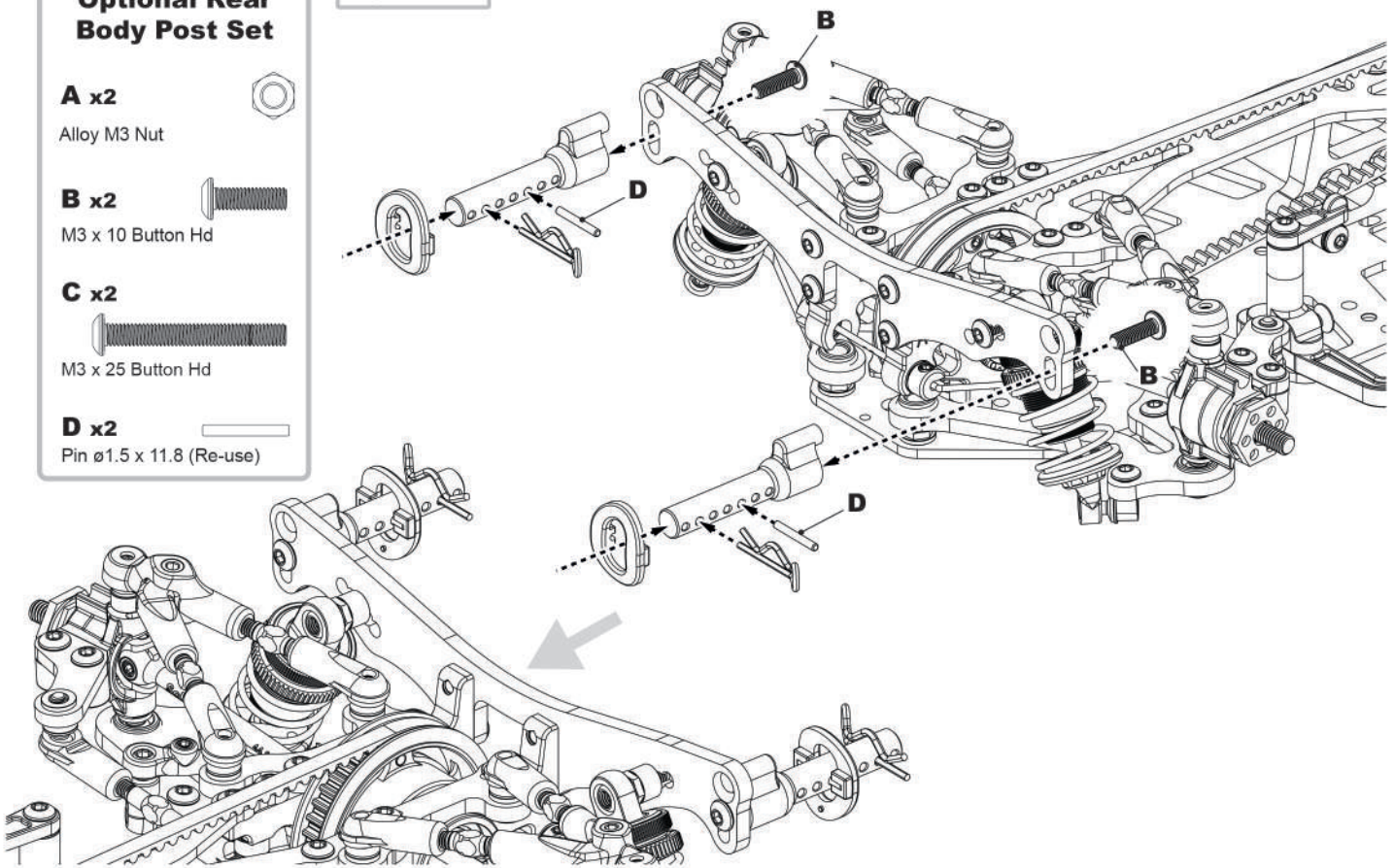
**D x2**

Pin  $\varnothing 1.5 \times 11.8$  (Re-use)

### Option 1



Option 1 speed secret body post option increases rotation. It offers more steering at the expense of rear stability. This is suited to medium/high traction conditions.



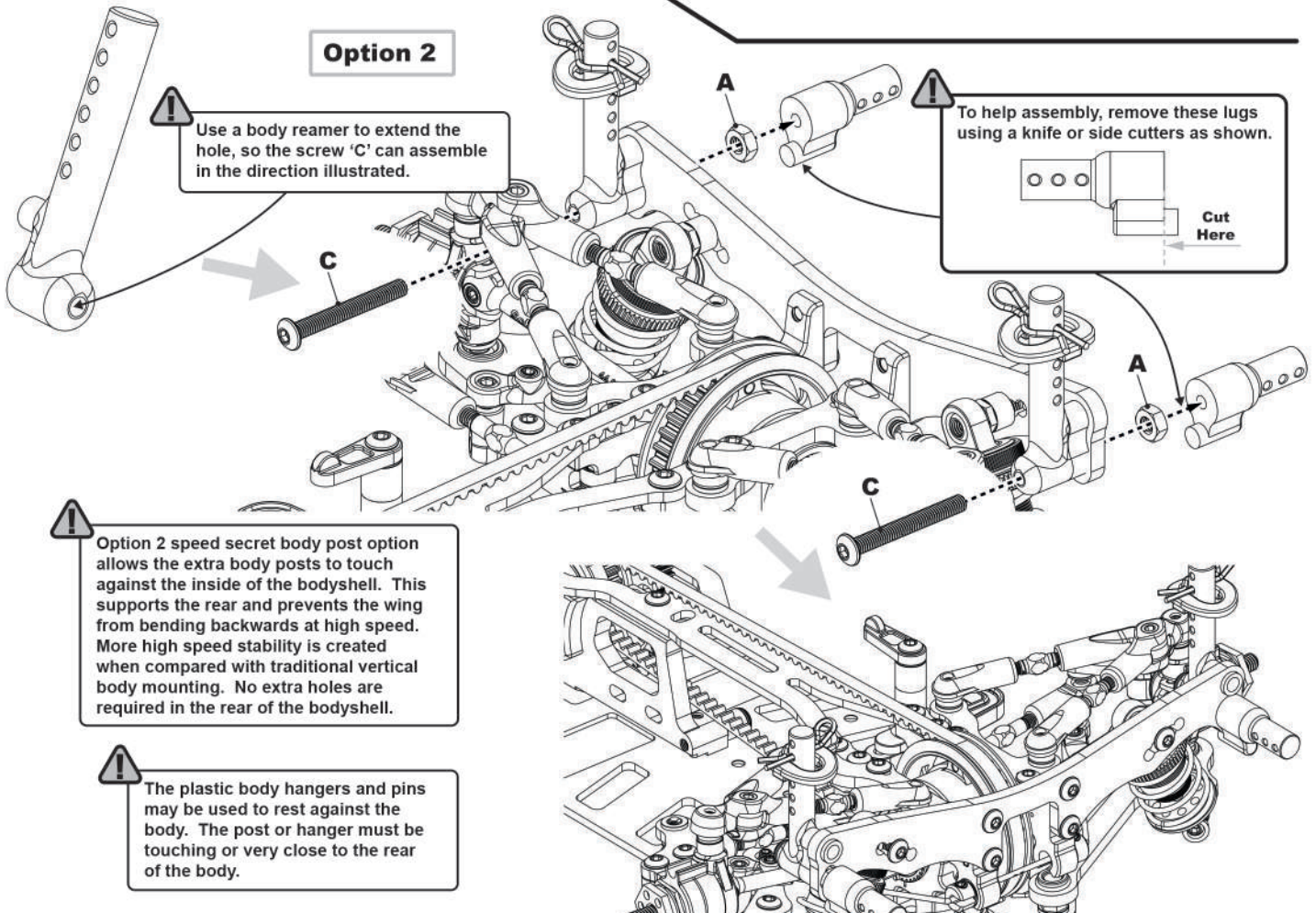
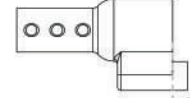
### Option 2



Use a body reamer to extend the hole, so the screw 'C' can assemble in the direction illustrated.



To help assembly, remove these lugs using a knife or side cutters as shown.



Option 2 speed secret body post option allows the extra body posts to touch against the inside of the bodyshell. This supports the rear and prevents the wing from bending backwards at high speed. More high speed stability is created when compared with traditional vertical body mounting. No extra holes are required in the rear of the bodyshell.



The plastic body hangers and pins may be used to rest against the body. The post or hanger must be touching or very close to the rear of the body.

# Mi8

## TRACK SETTINGS

### RIDE HEIGHT

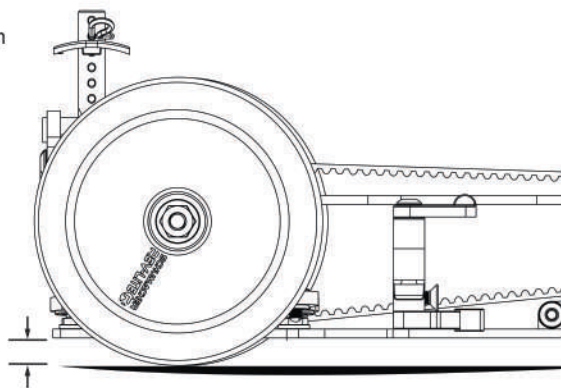
Use the spring adjusters on the shock absorbers to adjust the front and rear ride heights. We recommend setting the ride height to around 5.0mm on carpet/ high traction tarmac/asphalt and 5.5mm on tarmac/asphalt or low traction carpet tracks.

This is measured between the bottom of the chassis and the ground with the car in running trim. First press the car down on to the ground and release it once or twice to settle the suspension before adjusting the ride height.

In general:

High traction levels/Smooth tracks = Lower ride height (4.6mm-5.2mm)

Low traction levels/Bumpy tracks = Higher ride height (5.2mm-6.0mm)



### CAMBER

Front and rear camber is set by adjusting the pair of upper turnbuckles:

Shorter turnbuckles= More Negative camber.

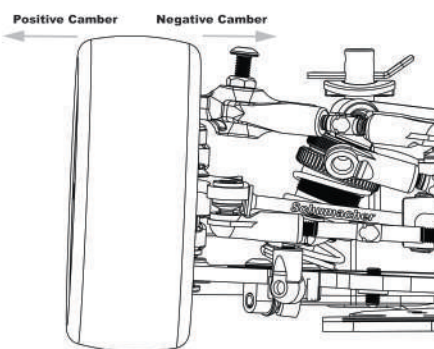
Longer turnbuckles= Less Negative camber.

\*\*The Camber and Castor setting should be set using a setup system such as SK-600069-01 or AM171040-LE combined with castor pointers U8258

In general the aim is to run the correct amount of camber for the tyre being used and the track conditions. Typically this is between 1.0°-2.5°.

Increasing the front and rear camber together will often result in more traction, but with a more sudden loss of grip when going beyond the limit. Less overall camber will offer a more progressive slide but may have less overall grip.

More castor may be applied to the front or rear, normally resulting in more grip at that end of the car. The team suggest a starting camber of 2° Rear and 1.5° Front, increasing to 2° Front camber if more front grip/steering is needed.



### CASTOR

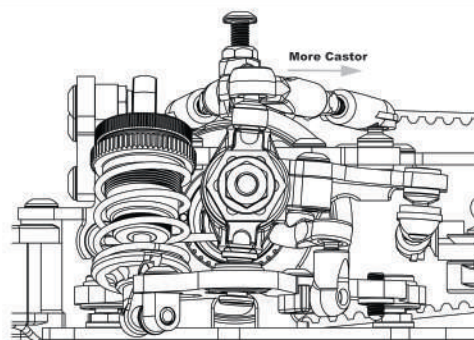
Castor can be set by adjusting the upper turnbuckles. After camber has been set, lengthen one turnbuckle, and shorten the other by the same amount, until the castor is set as desired.

\*\*The Camber and Castor setting should be set using a setup system such as SK-600069-01 or AM171040-LE combined with castor pointers U8258

More front castor will result in a smoother, less responsive initial steering response, with more mid corner/ on power exit steering.

Less front castor will give a more aggressive initial steering response but less steering thereafter. Kit setting is 4°.

Rear 'castor' can be adjusted, altering the wheelbase. Kit setting is 4°



### TRACK WIDTH

The track width may be adjusted using 2 different hex widths, or shims:

U4321 - 1mm and 0.5mm hex shims.

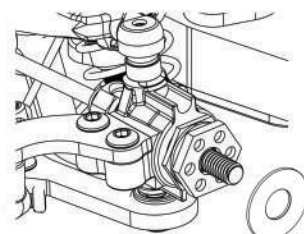
U3570 - Alloy Hex Slim (1mm narrower per side than kit)

U3525 - Alloy Hex Medium (Kit)

Increasing the rear track width provides more rear stability/less rotation and vice versa.

Increasing the front track width provides a less aggressive/less rotation and vice versa.

A wider car is better suited to high traction conditions and a narrower car to low traction conditions.

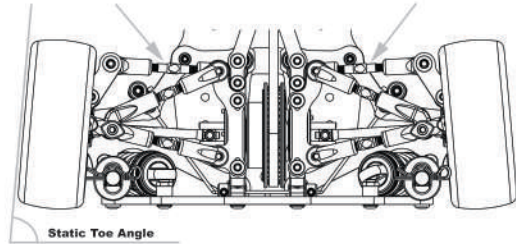


## STATIC REAR TOE

Static rear toe is measured on setup gauges such as SK-600069-01 or AM171040-LE and is the toe angle of the rear wheels when at ride height. The kit setup is 3°.

This is adjusted simply by altering the length of the rear turnbuckles shown. More rear static toe in provides more stability, rear grip and forward traction. Less rear static toe in offers more rotation providing the rear stability is enough to drive confidently through the corner. There will be less forward traction exiting the corner however.

In low traction conditions the team suggests a range between 3° and 4°. In high traction conditions the team suggests a range between 2° and 3°.



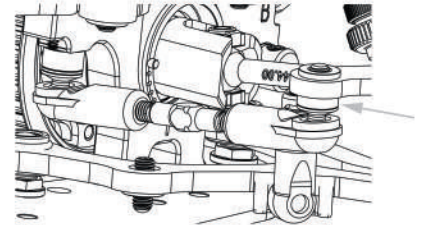
## DYNAMIC REAR TOE

Dynamic rear toe is a toe in angle that changes with roll or squat. This allows for a rising rate toe setting through a corner providing good entry steering but with more stability through the corner and more forward traction on corner exit.

0mm gives the most dynamic change. +1° with full chassis roll. 3.5mm gives a static toe angle with no change in the corner.

The team recommend a range between:

3mm in high traction conditions or when lots of steering is needed. 0mm in low traction conditions or when lots of stability is needed.



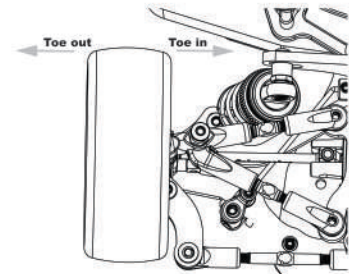
## FRONT TOE

The front toe is set by adjusting the steering turnbuckles.

Toe in will give a more stable car and less responsive/nervous initial steering.

Toe out will give a more aggressive car with more responsive initial steering.

The team recommend a range between 0° and 1° of toe out. It is very rare to benefit from toe in on the front of the car.



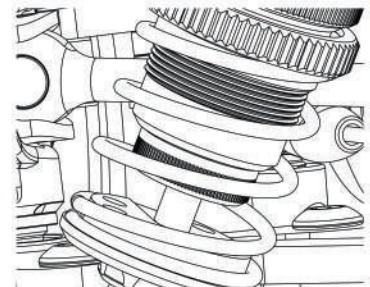
## SHOCK SPRINGS

Shock springs are used to set the suspension stiffness.

The team recommend a starting setup using Core Rc Purple springs front and rear (included).

Stiffer springs are suited to high grip conditions. These increase response, forward traction and high speed stability. The track should be smooth when going to very stiff springs.

Softer springs are suited better to low grip conditions. They slow down direction change but may provide more overall grip, when the track grip is low. They may cause high speed stability issues if the grip is too high. Soft springs can be better when the track is bumpy. A softer car can sometimes be a benefit in very high grip, in order to prevent traction roll.

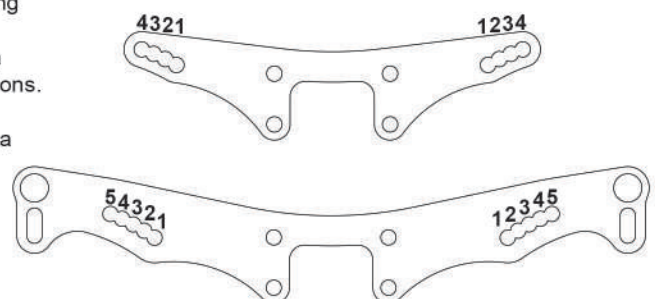


## SHOCK ANGLES

Similar to the shock spring setup, the shock angles can provide fine tuning over the suspension stiffness.

A more angled shock setup (lower number shock mount holes) creates a softer setup which is less responsive, often suited to high traction conditions.

A more upright shock setup (higher number shock mount holes) creates a stiffer setup which is more responsive, often suited to lower traction conditions.



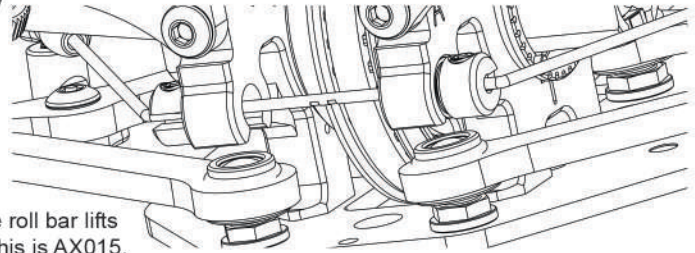
## ANTI ROLL BARS

Anti roll bars allow the tuning of roll stiffness and change the way that the weight is transferred.

A stiffer rear roll bar will reduce entry steering but increase on power steering.

A stiffer front roll bar will increase entry steering, but provide a smoother handling through the middle of the corner.

The roll bars need to be set equally left to right. This is done by adjusting the drop link ball height. With the shocks off, check the roll bar lifts the opposite side when lifted to an equal height. A great tool for this is AX015.



## DROOP

The starting point for droop suggested by the team is 21.4mm rear, 22.4mm front.

These numbers are checked on the Aerox droop gauge set. AX015.

This is the measurement between the chassis underside and the axle centre.

Droop is adjusted using the grub screw illustrated.

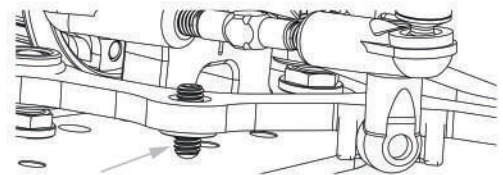
The suggested range is:

Rear- Between 20.4mm in low traction and 22.4mm in high traction.

Increasing the rear droop often provides more stability.

Front- Between 21.4mm in low traction and 24mm in high traction.

Increasing the front droop gives a more aggressive handling.

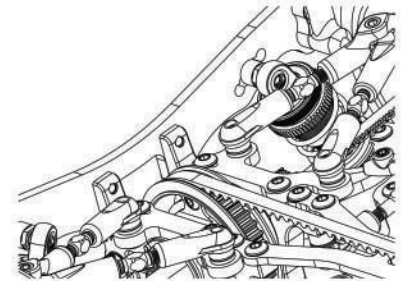


## UPPER INNER LINK HEIGHT

The washers under the 4 upper inner link ball studs are the only suggested method of changing the angle of the upper links.

The outer ball should remain 3mm at all times.

Generally, less washers at that end of the car gives more grip. Adding washers in the front/rear together can provide a freer car with more rotation. Suited best to high traction.



## LOWER WISHBONE SPACERS

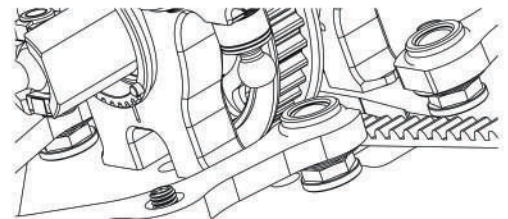
The kit setting is 1mm under all 8 wishbone lower balls. As a rule:

Higher wishbone balls= Raised roll centre, suited to higher traction conditions.

Lower wishbone balls= Lower roll centre, suited to lower traction conditions.

The team often uses wishbone balls 0.5mm lower in the front than the rear, providing more steering, but a slightly more difficult car to drive.

Lowering the front-front balls (angling the front wishbones down to the front of the car), by 0.5mm is another team favourite. This creates some anti-dive, giving a much smoother steering, particularly on corner entry.



## GEAR DIFF

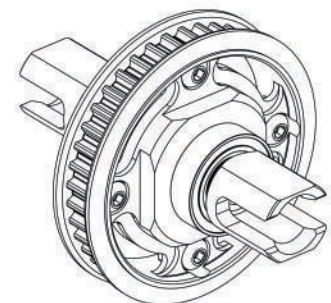
Gear diff oil can be changed to affect car handling.

Generally, high traction conditions = thicker oil. (7k-12k)

Low traction conditions = thinner oil. (3K-7K),

A thicker gear diff oil will have a much smoother off power, corner entry feeling, preventing corner entry over rotation. It will also make the car feel less likely to slide off power, in the corner. It will however have more on power steering, and can feel like on power oversteer.

Thinner gear diff oil will create the opposite effect. More aggressive corner entry, and more steering off power in the corner. It will have less on power steering, but will feel much easier to put the power on without oversteering.

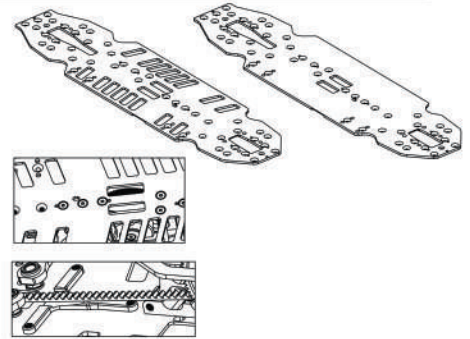


## CHASSIS FLEXIBILITY

High grip conditions=Stiffer chassis setup. Low Grip conditions = Flexible chassis setup. The Alloy chassis is the stiffest option and is best in very high grip conditions. The CF chassis is best in low or medium grip conditions. It will generate more traction.

The motor mount has 4 chassis screw options. Use more screws to increase the overall chassis stiffness. A minimum of 2 screws is required.

U8256 Alloy T Brace increases rear chassis stiffness and creates more rotation and is intended for high grip conditions.



## DIFF/SPOOL HEIGHT

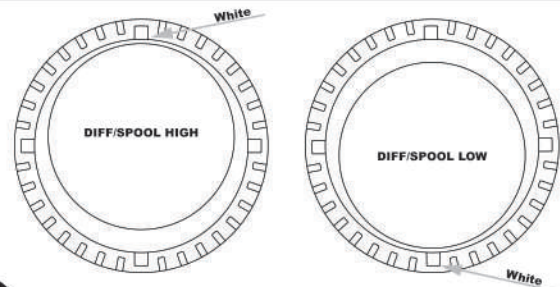
Optional Alloy Eccentrics (U8057) allow for different diff or spool heights. Flipping these eccentrics creates a shift of 1.4mm.

The low diff or spool position provides more grip at that end of the car, and is suited to low or medium traction conditions.

Low diff is when the white marker is facing downwards in the car.

The high diff or spool position is only suggested for very high grip conditions.

High diff is when the white marker is facing upwards in the cars.



## WEIGHT DISTRIBUTION

There are several positions intended for weight placement in the front and rear of the car. Please see the setup sheet for suggested placements. We recommend the use of CR722 and CR723 for this.

Please note that the mass damper (U8137) can be used within each wishbone (x4 places).

For the most neutral car balance, we recommend a 50:50 weight distribution. This is easily achieved with no weights and centrally placed electronics.

More rearwards weight generally gives a more aggressive car with more steering.

More forwards weight generally gives a smoother car handling with less steering.



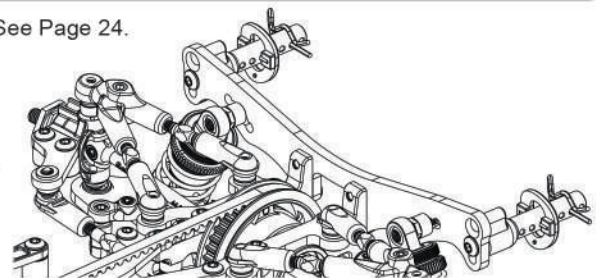
## REAR BODY POST OPTION

There is an included alternate rear body mounting bag included in the kit. See Page 24. This option allows for horizontally mounted body posts.

In doing this the rear of the car is far more lively but will provide much greater steering in the middle and exit of a corner.

Horizontal body mounting should only be used when the track grip is high.

For low grip use the vertically mounted rear body posts.



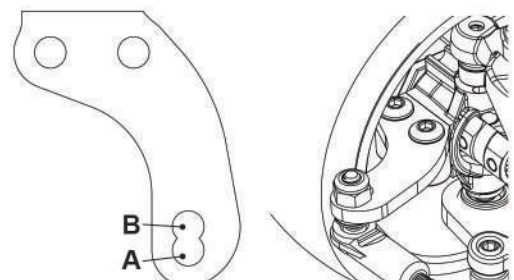
## OPTIONAL FRONT STEERING ARMS (U8313)

When using the optional front steering arms (U8313), there are two new options. Both options decrease the ackerman. If the inside wheel lock is set the same as with the kit steering arm, outside wheel lock will be increased and therefore so will the overall steering.

Position A is the most common position with a slower and smoother steering feeling. The team prefer this option, and position for most large outdoor tracks.

Position B is a more reactive and aggressive option, only to be used when maximum mid corner steering is wanted. This is a good option for very technical outdoor tracks.

Kit position (C) is the smoothest option, and is most suited to indoor or high grip conditions, or when you require an easy to drive steering feeling.

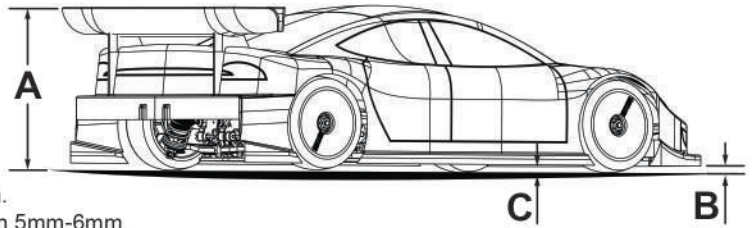


## BODY HEIGHT

The height of the body is very important to performance. Height 'A' must be between 110mm and 115mm. Higher here provides more rear grip and improved drivability. We suggest 113mm as a good starting height.

To set height 'B' (see page 12 to locate 'body stop screws')

- 1) Remove spring hangers from the body posts temporarily.
- 2) Adjust the body stop screws to set 'B' to between 2mm-4mm.
- 3) Fit body hangers to the posts to achieve a 'B' height between 5mm-6mm.

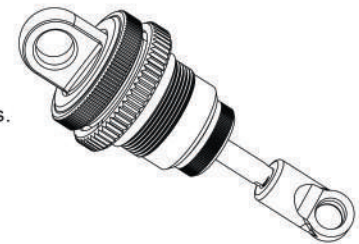


This allows to run the body lower to gain front downforce without excessive touching against the track surface. If you prefer not to use the body stop screws, set 'B' to between 8mm-9mm.

Height 'C' should be cut to achieve a height of between 6mm-9mm. Adjust if excessive touching occurs.

## SHOCK OIL

The aim is to achieve improved handling over bumps and control the weight transfer of the car. If the track is particularly bumpy, increase the shock oil viscosity to help handling over bumps. If the traction is low, lowering the shock oil to improve weight transfer and generate more grip. If the traction is high, increasing the shock oil to make the car smoother and less unpredictable. In higher temperature, increase the shock oil to manage tyre temperature. Our suggested range is between 250cSt and 600cSt, when using Core-Rc shock oil with kit pistons.

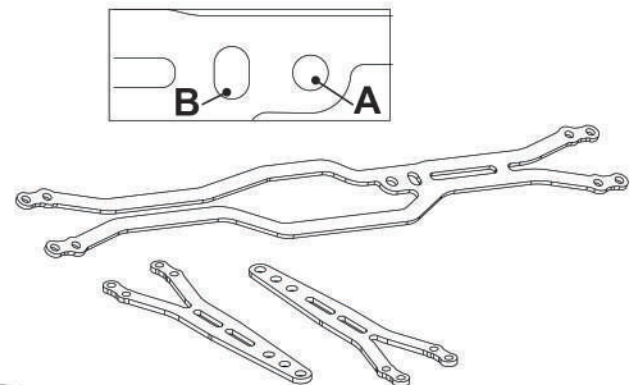


## TOP DECK FLEX OPTIONS

The top deck has options A and B. Kit is A and has more torsional stiffness and offers more steering. Option B makes the car easier to drive, with more rear stability.

U8319 1.6mm Top Deck is useful for very low grip conditions with the CF chassis or medium grip conditions when using the alloy chassis.

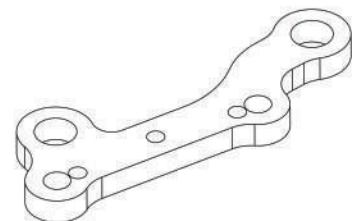
U8245 2 Piece topdeck is a very stiff option, best suited to very high grip conditions.



## UPPER INNER LINK LENGTH

The upper link length can be adjusted using speed secret CF link mounts - 1dot - U8244.

These lengthen the upper link length by 1mm and are best suited to lower grip conditions or for providing more grip to the front or rear. (whichever end of the car they are fitted to.)







### 48DP SPUR GEARS

- AM348069 - Spur Gear 48p - 69T
- AM348070 - Spur Gear 48p - 70T
- AM348071 - Spur Gear 48p - 71T
- AM348072 - Spur Gear 48p - 72T
- AM348073 - Spur Gear 48p - 73T
- AM348074 - Spur Gear 48p - 74T
- AM348075 - Spur Gear 48p - 75T
- AM348078 - Spur Gear 48p - 78T
- AM348081 - Spur Gear 48p - 81T
- AM348082 - Spur Gear 48p - 82T
- AM348083 - Spur Gear 48p - 83T
- AM348084 - Spur Gear 48p - 84T
- AM348086 - Spur Gear 48p - 86T
- AM348087 - Spur Gear 48p - 87T
- U7821 - Spur Gear 89T 48dp CNC - Mi-7

### 64DP SPUR GEARS

- AM364090 - Spur Gear 64p - 90T
- AM364092 - Spur Gear 64p - 92T
- AM364094 - Spur Gear 64p - 94T
- AM364096 - Spur Gear 64p - 96T
- AM364098 - Spur Gear 64p - 98T
- AM364100 - Spur Gear 64p - 100T
- AM364102 - Spur Gear 64p - 102T
- AM364104 - Spur Gear 64p - 104T
- AM364106 - Spur Gear 64p - 106T
- AM364108 - Spur Gear 64p - 108T
- AM364110 - Spur Gear 64p - 110T
- AM364112 - Spur Gear 64p - 112T
- AM364114 - Spur Gear 64p - 114T
- AM364116 - Spur Gear 64p - 116T
- U7820 - Spur Gear 120T 64dp CNC - Mi-7
- U8318 - Stock spur Gear 64dp - 92T - Mi8
- U8253 - Stock spur Gear 64dp - 98T - Mi8
- U8254 - Stock spur Gear 64dp - 104T - Mi8
- U8255 - Stock spur Gear 64dp - 108T - Mi8



U7400 - Titanium Low Profile M4 Serrated Nut (pk4)



U8333 - Wheel Hex Spacers 0.25, 0.5, 0.75mm (pk12)  
Tuning Option



U7542 - Ultra Short Shock Alloy Spring Seat pr



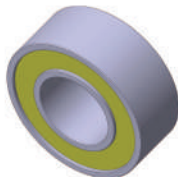
- CR280 - Ti Pro Ball Studs - Short - (pr)
- CR281 - Ti Pro Ball Studs - Ultra Short - (pr)
- U7828 - Ti Ball Stud Low - Ultra Short (pk4)
- U7829 - Ti Ball Stud Low - Short (pk4)



CR309 - Alloy Body Mount Adjuster Set - Black - pk4



- AX011 - Alloy Offset Servo Arm 25T
- AX012 - Alloy Offset Servo Arm 23T
- MR33-AAS23T - Alloy Adjustable 23T
- MR33-AAS25T - Alloy Adjustable 25T



- U4725 - Pro Ball Bearing - 5x10x4 Shield - (pr)
- U4726 - Pro Ball Bearing - 5x10x3 Shield - (pr)
- U4945 - Pro Ball Bearing 1/8 x 1/4 x 7/64 - pr
- U7822 - Pro Ball Bearing 3/16"x5/16"x1/8" Flanged (pr)



- U4328 - Impact Servo Saver
- U4329 - Impact Servo Saver Mouldings
- U4330 - Impact Servo Saver Springs



- CR304 - Titanium Wheel Nuts M4 - pk4  
Lightweight Option



U3582 - Precision Balance Pivot Set



U7854 - Alloy Double Joint Driveshaft Tube pr  
Lightweight Option



- CR310 - Alloy Csk Hex Screws M3 x 6 pk10
- CR311 - Alloy Csk Hex Screws M3 x 8 pk10
- CR312 - Alloy Csk Hex Screws M3 x 10 pk10
- CR313 - Alloy Csk Hex Screws M3 x 12 pk10
- CR314 - Alloy Button Head Hex Screws M3 x 6 pk10
- CR315 - Alloy Button Head Hex Screws M3 x 8 pk10
- CR316 - Alloy Button Head Hex Screws M3 x 10 pk10
- CR317 - Alloy Button Head Hex Screws M3 x 12 pk10



U8057 - Alloy Eccentric - pr  
Tuning Option



- CR722 - Threaded Steel 5g Weight 13.50mm (pk4)
- CR723 - Threaded Steel 10g Weight 17.60mm (pk4)  
Tuning Option



U3570 - Alloy Wheel Hex; Slim pr  
Tuning Option



U8335 - Brass Shorty Lipo Set (pk2)



U7536 - Ultra Short Shock Piston 3 hole pr  
Tuning Option



U7855 - Titanium Rear Axle pr  
Lightweight Option





**U8227** - Kashima Shock Body - Mi8 pk4  
Performance Option



**U8065** - M3 Alloy Thread Inserts pk8  
Lightweight Performance Option



## CORE-RC

**Hi Response TC Springs**  
CR840 - CR851 - Pairs  
CR852 - Soft Spring Set 4pr  
CR853 - Med Spring Set 4pr  
CR854 - Hard Spring Set 4pr



**U8261** - Alloy Shock Top Ball - Mi8 pr  
Lightweight performance Option



**U8244** - Link Mount 1 dot - Mi8 pr  
(-1mm links) - Tuning Option



**U8261** - Alloy Hub Carrier- Mi8 pr  
Durability option



**U8252** - Alloy Upper Link Pivot Front - Mi8 pr  
Lightweight performance Option



**U8323** - C/F Lipo Hooks - Mi8 pr  
Balance Option



**U7816** - Alloy Radius Arms pr



**U7837** - C/F Upper Bumper



**U8235** - Alloy Upper Link Pivot Rear - Mi8 pr  
Lightweight performance Option



**U8313** - C/F Optional Front  
Steering Arms - Mi8 pr  
Tuning Option



**U7866** - Lightweight Foam Bumper  
Lightweight performance option



**U8256** - Alloy T Brace - Mi8  
Tuning Option



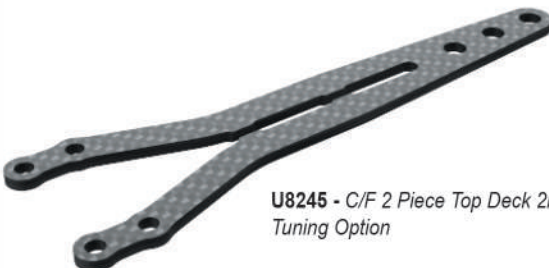
**U8137** - Mass Damper Set  
Tuning Option



**U7827** - Alloy LiPo Mount pr  
Durability Option



**U7839** - C/F LiPo Swivel pr



**U8245** - C/F 2 Piece Top Deck 2mm - Mi8 pr  
Tuning Option



**U8229** - Anti Roll Bar Set - 1.1mm, 1.2mm,  
1.3mm and 1.4mm - Mi8 pk8 Tuning Option



**U8319** - C/F Top Deck 1.6mm - Mi8 - Tuning Option

## SPARES LISTS

### Chassis Parts

U119	Aerial Tube - Pack 4
U4229	Steel Spanner - 5.5mm/3.9mm
U4741	6mm Offset Servo Arms
U4773	Aerial Mount - CAT K2
U4872	Centre Track Rod Shim - Mi6 - (pk4)
U7738	Radius Arms - Mi7 (pr)
U7739	Body Post Spacers - Mi7 (pr)
U7750	LiPo Mounting Mouldings - Mi7 (set)
U7769	Alloy Centre Track Rod Assy - Mi7
U7773	Alloy Steering Pivots/Spacers - Mi7 (pr)
U7790	Foam Bumper - Mi7
U7806	C/F Rear Toe Arm - Mi7 (pr)
U7850	Body Mount Set - Mi7
U8233	Alloy Chassis - Mi8
U8236	C/F Bumper Crash Stop - Mi8
U8237	C/F Chassis 2.25mm - Mi8
U8238	C/F Rear Shock Mount - Mi8
U8239	C/F Front Shock Mount - Mi8
U8242	C/F Top Deck 2.0mm - Mi8
U8246	C/F Front Steering Arms - Mi8 (pr)
U8260	Alloy 1 Piece Servo Mount - Mi8
U8268	Manual - Mi8
U8316	Front Bumper Mouldings - Mi8

### Shock Absorbers

U4557	Shock Seal Cap (Black) - Mi5evo - (1pr)
U7463	Ultra Short Shock Seal 'O' Ring-Mi6evo-pk4
U7530	Ultra Short Shock Diaphragm - Mi6evo pk4
U7533	Ultra Short Shock Collar 'O' Rings (pr)
U7534	Ultra Short Shock Collar - Mi6evo pr
U7537	Ultra Short Shock Piston 4H - Mi6evo pr
U7545	Ultra Short Shock Shims (3.3x6.7x0.05) - Mi6evo
U7561	Ultra Short Shock Spring Seat (pr)
U7782	Ultra Short Shock Rebuild Kit
U7845	Shock Top (5.5mm) - Mi7 (pr)
U8221	Shock Shaft - Mi8 (pr)
U8226	Shock Top Ring - Mi8 (pr)
U8248	Shock Body - Mi8 (pr)
U8317	Lower Shock Socket - Mi8 pk8

### Bearings & Balls

U2698	Ball Bearing - 5x10x4 Red Seal - (pr)
U2699	Ball Bearing - 10x15x4 Red Seal - (pr)
U3075	Ball Bearing - 4x8x3mm Red Seal - (pr)
U3136	Ball Bearing - 5x8x2.5 - Shield (pr)
U3871	Ball Bearing - 5x9x3 Red Seal - (pr)
U4084	Ball Bearing - 6x12x4 Red Seal - (pr)
U4946	Pro Ball Bearing 5 x 10 x 4 sealed - pr
U7088	Ball Bearing 5x10x4 Red Seal FL - (pr)
U7328	Ball Bearing - 5 x 11 x 4 Red Seal - (pr)
U7725	Pro-Ball Bearing 10x15x4 Sealed - (pr)
U7726	Pro-Ball Bearing 6x12x4 Sealed - (pr)
U7729	Pro-Ball Bearing 5x9x3 Sealed - (pr)
U7730	Pro-Ball Bearing 4x8x3 Sealed - (pr)
U7997	Ceramic Ball Bearing 6 x 12 x 4 (pr)

### Suspension

U4775	Pivot Ball 5.5mm - (4pcs)
U4900	Roll Bar Clamp pr - Mi6/evo
U4903	Precision Ball Stud Ultra Short- Mi6 - (pk4)
U4904	Precision Ball Stud Short- Mi6 - (pk4)
U7733	Hub Carriers - Mi7 (pr)
U7747	Wishbone ARB Mount - Mi7 (pr)
U7748	Upper Wishbone Mouldings - Mi7 (pr)
U7783	Dowel Bush - Mi7 (pk4)
U7808	M4 Turnbuckle - 24mm (pr)
U7832	Ball Stud Low (Ultra Short) (pk4)
U7833	Ball Stud Low (Short) (pk4)
U7834	Ball Stud Low (Long) (pk4)

### Suspension Cont.

U7891	Alloy Lock Stop pr - A2,Icon
U8133	6 x 1 'O'ring pk10 - Mi7,Icon,E4
U8166	5.5mm Pivot Ball Socket pk8 - Mi7
U8168	5 x 1 'O'ring (pk10)
U8217	Wishbone Outer Ball/Socket - Mi8 (pr)
U8219	Alloy ARB Drop Link - Mi8 (pr)
U8229	Roll Bar Set - Mi8 (pk8)
U8234	Upper Link Sockets - Mi8 (pk8)
U8240	C/F Front Wishbones - Mi8 (pr)
U8241	C/F Rear Wishbones - Mi8 (pr)
U8243	C/F Upper Link Mount - Mi8 (pr)
U8259	Roll Bar Socket - Mi8 (pk4)
U8263	Alloy M3 Turnbuckle - 25mm - Black (pr)
U8264	Alloy M3 Turnbuckle - 35mm - Black (pr)
U8265	Alloy M3 Turnbuckle - 45mm - Black (pr)
U8314	Upper Link Pivot Rear - Mi8 (pr)
U8315	Upper Link Pivot Front - Mi8 (pr)
U8321	Ball Sockets Pro - Grey (pk8)

### Transmission

AM348085	Spur Gear 48p - 85T
U3170	Pins and Shims; Axle - Mi4/Mi5 4pr
U3525	Alloy Wheel Hex - Medium - Mi4/Mi5 (pr)
U4567	Eccentrics - Mi5evo (4 pcs)
U7731	Layshaft Fences - Mi7
U7732	Diff/Spool Fences - Mi7 (pk4)
U7735	Diff Mouldings - Mi7
U7752	Rear Driveshaft Pins,Pivots - Mi
U7753	Double Joint Driveshaft - V2 (pr)
U7754	Double Joint Driveshaft Pins,Pivots - V2
U7755	Double Joint Driveshaft Bone - V2
U7756	Double Joint Driveshaft Axle - V2
U7757	Double Joint Driveshaft Tube - V2
U7779	Layshaft - Mi7
U7781	Spur Gear Screw - Mi7 (pk3)
U7785	Diff End Float Shim 0.10mm (pk10)
U7786	Gear Diff Rebuild Kit - Mi7
U7809	Driveshaft Blade - Mi7 (pk4)
U8218	Rear Driveshaft - Mi8 (pr)
U8222	Motor Mount - Mi8
U8223	Alloy Trans Housing A - Mi8
U8224	Alloy Trans Housing B - Mi8
U8225	Alloy Diff Output - Mi8
U8230	Alloy Diff Pulley - Mi8
U8231	Alloy Spool Spindle - Mi8
U8232	Alloy Layshaft Pulley - Mi8
U8247	Alloy Spool Output - Mi8
U8249	Alloy Rear Driveshaft Bone - Mi8
U8251	Rear Driveshaft Axle - Mi8
U8257	Alloy Diff Body - Mi8
U8262	Belt 119T - Mi8
U8266	Complete Spool - Mi8
U8267	Complete Diff - Mi8

## SPARES LISTS

### Bearings & Balls

G200	ZX1 - Microlube
H1031	Bearing Blaster Aerosol 500ml
U1300	Axle Grease - Pot
U1301	Silicone Diff Lube-Pot
U1411	Ball Bearing - 4x8x3 Shield - (pr)
U1957	Moly Grease - Pot 5ml
U2148	Ball Bearing - 5x10x4 Shield - (pr)
U2862	Ceramic Bearing - 5x10x4 Shield - (pr)
U3016	Ball Bearing - 10x15x4 - Shield (pr)
U3017	Ceramic Bearing - 10x15x4 - Shield - (pr)
U3136	Ball Bearing - 5x8x2.5 - Shield (pr)
U4725	Pro Ball Bearing - 5x10x4 Shield - (pr)
U4726	Pro Ball Bearing - 5x10x3 Shield - (pr)
U4943	Ball Bearing - 1/8x1/4 Shield - (pr)
U4945	Pro Ball Bearing 1/8 x 1/4 x 7/64 - pr
U7326	Ball Bearing - 5x10x3 Shield - (pr)
U7744	Ball Bearing 2x5x1.5 Open (pr)
U7794	Ball Bearing 3/16"x5/16" Flanged Yellow (pr)
U7822	Pro Ball Bearing 3/16"x5/16"x1/8" Flanged (pr)
U8320	Ball Bearing 3/16"x5/16" Yellow (pr)

### Option Parts

AM030106	Alloy Servo Horn 23T BG
AM030107	Alloy Servo Horn 25T BG
AM348069	Spur Gear 48p - 69T
AM348070	Spur Gear 48p - 70T
AM348071	Spur Gear 48p - 71T
AM348072	Spur Gear 48p - 72T
AM348073	Spur Gear 48p - 73T
AM348074	Spur Gear 48p - 74T
AM348075	Spur Gear 48p - 75T
AM348078	Spur Gear 48p - 78T
AM348081	Spur Gear 48p - 81T
AM348082	Spur Gear 48p - 82T
AM348083	Spur Gear 48p - 83T
AM348084	Spur Gear 48p - 84T
AM348086	Spur Gear 48p - 86T
AM348087	Spur Gear 48p - 87T
AM364090	Spur Gear 64p - 90T
AM364092	Spur Gear 64p - 92T
AM364094	Spur Gear 64p - 94T
AM364096	Spur Gear 64p - 96T
AM364098	Spur Gear 64p - 98T
AM364100	Spur Gear 64p - 100T
AM364102	Spur Gear 64p - 102T
AM364104	Spur Gear 64p - 104T
AM364106	Spur Gear 64p - 106T
AM364108	Spur Gear 64p - 108T
AM364110	Spur Gear 64p - 110T
AM364112	Spur Gear 64p - 112T
AM364114	Spur Gear 64p - 114T
AM364116	Spur Gear 64p - 116T
AX011	Aerox Alloy Servo Arm - Offset 25T Futaba
AX012	Aerox Alloy Servo Arm - Offset 23T KO/Sanwa
CR280	Ti Pro Ball Studs - Short - (pr)
CR281	Ti Pro Ball Studs - Ultra Short - (pr)
CR304	Titanium Wheel Nuts M4 - pk4
CR309	Alloy Body Mount Adjuster Set Mi6 - Black - pk4
CR310	Alloy Csk Hex Screws M3 x 6 pk10
CR311	Alloy Csk Hex Screws M3 x 8 pk10
CR312	Alloy Csk Hex Screws M3 x 10 pk10
CR313	Alloy Csk Hex Screws M3 x 12 pk10
CR314	Alloy Button Head Hex Screws M3 x 6 pk10
CR315	Alloy Button Head Hex Screws M3 x 8 pk10
CR316	Alloy Button Head Hex Screws M3 x 10 pk10
CR317	Alloy Button Head Hex Screws M3 x 12 pk10
CR465	Alloy Offset Servo Arm 23T - Sanwa/KO
CR466	Alloy Offset Servo Arm 25T - Futaba
CR664	Alloy Motor Spacer - 1mm - pk2
CR722	Threaded Steel 5g Weight 13.50mm (pk4)
CR723	Threaded Steel 10g Weight 17.60mm (pk4)

### Option Parts Cont.

MR33-AAS23T	MR33 Adjustable Servo Horn 23t Sanwa
MR33-AAS25T	MR33 Adjustable Servo Horn 25t Futaba
U2566	Titanium Turnbuckle - 45mm (pr)
U3570	Alloy Wheel Hex - Slim - Mi4LP (pr)
U3582	Precision Balance Pivot Set
U4236	M3 x 10mm Alloy Csk Screws pk10
U4328	Impact Servo Saver
U4329	Impact Servo Saver Mouldings
U4330	Impact Servo Saver Springs
U7400	Titanium Low Profile M4 Serrated Nut (pk4)
U7536	Ultra Short Shock Piston 3H - Mi6evo pr
U7542	Ultra Short Shock Alloy Spring Seat - Mi6evo pr
U7812	Alloy Hub Carrier - Mi7 (pr)
U7816	Alloy Radius Arms - Mi7 (pr)
U7820	Spur Gear 120T 64dp CNC - Mi7
U7821	Spur Gear 89T 48dp CNC - Mi7
U7826	Alloy Fan Mount - Mi7
U7827	Alloy LiPo Mount - Mi7 (pr)
U7828	Titanium Ball Stud Low (Ultra Short) (pk4)
U7829	Titanium Ball Stud Low (Short) (pk4)
U7837	C/F Upper Bumper - Mi7
U7839	C/F LiPo Swivel - Mi7 (pr)
U7854	Alloy Double Joint Driveshaft Tube - V2 (pr)
U7855	Titanium Rear Axle - Mi (pr)
U7866	Lightweight Foam Bumper - Mi7
U8057	Alloy Eccentric (pr) - Mi6,Mi7
U8065	M3 Alloy Thread Inserts pk8 - L1,Mi7,E3,E4,A2,Icon
U8184	Optional Rear Body Post Set - Mi8
U8185	Upper Wishbone Conversion - Mi8
U8227	Kashima Shock Body - Mi8 (pk4)
U8235	Optional Alloy Upper Link Pivot Rear - Mi8 (pr)
U8244	C/F Upper Link Mount 1 Dot - Mi8 (pr)
U8245	C/F 2 Piece Top Deck - Mi8 (pr)
U8252	Optional Alloy Upper Link Pivot Front - Mi8 (pr)
U8253	CNC Stock Spur Gear 98T 64DP - Mi8
U8254	CNC Stock Spur Gear 104T 64DP - Mi8
U8255	CNC Stock Spur Gear 108T 64DP - Mi8
U8256	Alloy T Brace - Mi8
U8258	Castor Gauge - Mi8 (pr)
U8261	Alloy Shock Top Ball - Mi8 (pr)
U8310	High Power Belt Roller - Mi8
U8313	C/F Optional Front Steering Arms - Mi8 (pr)
U8317	Mass Damper Set
U8318	CNC Stock Spur Gear 92T 64DP - Mi8
U8319	C/F Top Deck 1.6mm - Mi8
U8323	C/F Lipo Hook - Mi8 (pr)
U8333	Wheel Hex Spacers 0.25, 0.5,0.75mm - Mi8 (pk12)
U8334	Alloy Lipo Swivel - Mi8 (pr)
U8335	Brass Shorty LiPo Set - Mi8 (pr)

## SPARES LISTS

### Hardware

CR024 CORE RC - Serrated M4 Steel Wheel Nut pk4  
CR035 CORE RC - Serrated Alloy M4 Nuts; Blue pk 4  
CR036 CORE RC - Serrated Alloy M4 Nuts; Violet pk 4  
CR060 Small Body Clip 1/10 - Gloss Black (8)  
CR061 Small Body Clip 1/10 - Silver (8)  
CR062 Small Body Clip 1/10 - Gold (8)  
CR063 Small Body Clip 1/10 - Fluorescent Yellow (8)  
CR064 Small Body Clip 1/10 - Fluorescent Green (8)  
CR065 Small Body Clip 1/10 - Fluorescent Red (8)  
CR066 Small Body Clip 1/10 - Metallic Green (8)  
CR067 Small Body Clip 1/10 - Metallic Red (8)  
CR068 Small Body Clip 1/10 - Metallic Blue (8)  
CR069 Small Body Clip 1/10 - Metallic Purple (8)  
CR071 Big Body Clip 1/10 - Silver (8)  
CR072 Big Body Clip 1/10 - Gold (8)  
CR074 Big Body Clip 1/10 - Fluorescent Green (8)  
CR076 Big Body Clip 1/10 - Metallic Green (8)  
CR077 Big Body Clip 1/10 - Metallic Red (8)  
CR078 Big Body Clip 1/10 - Metallic Blue (8)  
CR079 Big Body Clip 1/10 - Metallic Purple (8)  
CR081 Extra Long Body Clip 1/10 - Silver (6)  
CR082 Extra Long Body Clip 1/10 - Gold (6)  
CR083 Extra Long Body Clip 1/10 - Fluorescent Yellow (6)  
CR084 Extra Long Body Clip 1/10 - Fluorescent Green (6)  
CR085 Extra Long Body Clip 1/10 - Fluorescent Red (6)  
CR086 Extra Long Body Clip 1/10 - Metallic Green (6)  
CR087 Extra Long Body Clip 1/10 - Metallic Red (6)  
CR088 Extra Long Body Clip 1/10 - Metallic Blue (6)  
CR089 Extra Long Body Clip 1/10 - Metallic Purple (6)  
CR196 Core RC - Serrated Alloy M4 Nuts - Black - pk4  
CR638 Rubber Body Clip Pulls - pk12  
U1550 SPEED PK-Socket Wrenches-1.5/2.0/2.5/3.0mm  
U1606 SPEED PACK - Servo Tape - 30pk  
U1633 SPEED PACK - Small Pins (pk)  
U2128 SPEED PACK - Grub-Set Screws M3 M4  
U3021 SPEED PACK - M3x6 Csk Hd - (pk10)  
U3022 SPEED PACK - M3x8 Csk Hd - (pk10)  
U3023 SPEED PACK - M3x10 Csk Hd - (pk10)  
U3131 SPEED PACK Alloy Spacers - M3x7mm 0.5;1;2mm (pk18)  
U4112 S/Steel Shims 1/4x5/16x0.004-SS/Al/Ecl  
U4155 SPEED PACK - M3 Csk Washers - Black Alloy (pk10)  
U4210 SPEED PACK - Pinion Grub Screw Set pk10  
U4220 O' Ring 9.0x1.0 (pk10)  
U4235 M3 x 8mm Alloy Csk Screws pk10  
U4314 SPEED PACK - Alloy Black M3 Washers - 18pc  
U4662 SPEED PACK - M3x4 Grub Screw - Cone Point (10pcs)  
U4835 SPEED PACK - M3 Steel Nut Black (pk8)  
U4862 Black Alloy Washers 0.50mm (pk12)  
U7102 SPEED PACK - M3X4 Button Hd (pk10)  
U7103 SPEED PACK - M3X6 Button Hd (pk10)  
U7104 SPEED PACK - M3X8 Button Hd (pk10)  
U7105 SPEED PACK - M3X10 Button Hd (pk10)  
U7106 SPEED PACK - M3X12 Button Hd (pk10)  
U7107 SPEED PACK - M3X16 Button Hd (pk10)  
U7109 SPEED PACK - M3X25 Button Hd (pk10)  
U7122 SPEED PACK - M3x12 Csk Hd (pk10)  
U7538 SPEED PACK M2x6 CSK pk 10  
U7689 M3 Brass Inserts - pk10  
U7709 M3 Black Alloy Washers 0.75mm (pk10)  
U7710 M3 Black Alloy Washers 1.00mm (pk10)  
U7711 M3 Black Alloy Washers 2.00mm (pk10)  
U7712 M3 Black Alloy Washers 3.00mm (pk10)  
U7728 M2.5x4 Button Screws (pk10)  
U7751 M3x8 Grub Screw Dome End (pk4)  
U7774 M3 Alloy Washer Black 1.5 mm (pk10)  
U7795 M3x2 Grub Screw (pk10)  
U8322 SPEED PACK - M2.5x4 Cone Grub Screw (pk5)  
U8324 SPEED PACK M2x8 CSK pk 10  
U8336 SPEED PACK - Body Clips (pk 10)

### Pinions

CR4818 Pinion Gear 48DP 18T (7075 Hard)  
CR4819 Pinion Gear 48DP 19T (7075 Hard)  
CR4820 Pinion Gear 48DP 20T (7075 Hard)  
CR4821 Pinion Gear 48DP 21T (7075 Hard)  
CR4822 Pinion Gear 48DP 22T (7075 Hard)  
CR4823 Pinion Gear 48DP 23T (7075 Hard)  
CR4824 Pinion Gear 48DP 24T (7075 Hard)  
CR4825 Pinion Gear 48DP 25T (7075 Hard)  
CR4826 Pinion Gear 48DP 26T (7075 Hard)  
CR4827 Pinion Gear 48DP 27T (7075 Hard)  
CR4828 Pinion Gear 48DP 28T (7075 Hard)  
CR4829 Pinion Gear 48DP 29T (7075 Hard)  
CR4830 Pinion Gear 48DP 30T (7075 Hard)  
CR4831 Pinion Gear 48DP 31T (7075 Hard)  
CR4832 Pinion Gear 48DP 32T (7075 Hard)  
CR4833 Pinion Gear 48DP 33T (7075 Hard)  
CR4834 Pinion Gear 48DP 34T (7075 Hard)  
CR4835 Pinion Gear 48DP 35T (7075 Hard)  
CR4836 Pinion Gear 48DP 36T (7075 Hard)  
CR4837 Pinion Gear 48DP 37T (7075 Hard)  
CR4838 Pinion Gear 48DP 38T (7075 Hard)  
CR4839 Pinion Gear 48DP 39T (7075 Hard)  
CR4840 Pinion Gear 48DP 40T (7075 Hard)  
CR4841 Pinion Gear 48DP 41T (7075 Hard)  
CR4842 Pinion Gear 48DP 42T (7075 Hard)  
CR4843 Pinion Gear 48DP 43T (7075 Hard)  
CR4844 Pinion Gear 48DP 44T (7075 Hard)  
CR4845 Pinion Gear 48DP 45T (7075 Hard)  
CR4846 Pinion Gear 48DP 46T (7075 Hard)  
CR6424 Pinion Gear 64DP 24T (7075 Hard)  
CR6425 Pinion Gear 64DP 25T (7075 Hard)  
CR6426 Pinion Gear 64DP 26T (7075 Hard)  
CR6427 Pinion Gear 64DP 27T (7075 Hard)  
CR6428 Pinion Gear 64DP 28T (7075 Hard)  
CR6429 Pinion Gear 64DP 29T (7075 Hard)  
CR6430 Pinion Gear 64DP 30T (7075 Hard)  
CR6431 Pinion Gear 64DP 31T (7075 Hard)  
CR6432 Pinion Gear 64DP 32T (7075 Hard)  
CR6433 Pinion Gear 64DP 33T (7075 Hard)  
CR6434 Pinion Gear 64DP 34T (7075 Hard)  
CR6435 Pinion Gear 64DP 35T (7075 Hard)  
CR6436 Pinion Gear 64DP 36T (7075 Hard)  
CR6437 Pinion Gear 64DP 37T (7075 Hard)  
CR6438 Pinion Gear 64DP 38T (7075 Hard)  
CR6439 Pinion Gear 64DP 39T (7075 Hard)  
CR6440 Pinion Gear 64DP 40T (7075 Hard)  
CR6441 Pinion Gear 64DP 41T (7075 Hard)  
CR6442 Pinion Gear 64DP 42T (7075 Hard)  
CR6443 Pinion Gear 64DP 43T (7075 Hard)  
CR6444 Pinion Gear 64DP 44T (7075 Hard)  
CR6445 Pinion Gear 64DP 45T (7075 Hard)  
CR6446 Pinion Gear 64DP 46T (7075 Hard)  
CR6447 Pinion Gear 64DP 47T (7075 Hard)  
CR6448 Pinion Gear 64DP 48T (7075 Hard)  
CR6449 Pinion Gear 64DP 49T (7075 Hard)  
CR6450 Pinion Gear 64DP 50T (7075 Hard)  
CR6451 Pinion Gear 64DP 51T (7075 Hard)  
CR6452 Pinion Gear 64DP 52T (7075 Hard)  
CR6453 Pinion Gear 64DP 53T (7075 Hard)  
CR6454 Pinion Gear 64DP 54T (7075 Hard)  
CR6455 Pinion Gear 64DP 55T (7075 Hard)  
CR6456 Pinion Gear 64DP 56T (7075 Hard)  
CR6457 Pinion Gear 64DP 57T (7075 Hard)  
CR6458 Pinion Gear 64DP 58T (7075 Hard)  
CR6459 Pinion Gear 64DP 59T (7075 Hard)  
CR6460 Pinion Gear 64DP 60T (7075 Hard)  
CR6461 Pinion Gear 64DP 61T (7075 Hard)  
CR6462 Pinion Gear 64DP 62T (7075 Hard)  
U3418 Pinion; Hard Alloy 48dp - 18T  
U3419 Pinion; Hard Alloy 48dp - 19T  
U3420 Pinion; Hard Alloy 48dp - 20T  
U3421 Pinion; Hard Alloy 48dp - 21T  
U3422 Pinion; Hard Alloy 48dp - 22T

## SPARES LISTS

### Pinions Cont.

U3423	Pinion; Hard Alloy 48dp - 23T
U3424	Pinion; Hard Alloy 48dp - 24T
U3425	Pinion; Hard Alloy 48dp - 25T
U3426	Pinion; Hard Alloy 48dp - 26T
U3427	Pinion; Hard Alloy 48dp - 27T
U3428	Pinion; Hard Alloy 48dp - 28T
U3429	Pinion; Hard Alloy 48dp - 29T
U3430	Pinion; Hard Alloy 48dp - 30T
U3431	Pinion; Hard Alloy 48dp - 31T
U3432	Pinion; Hard Alloy 48dp - 32T
U3433	Pinion; Hard Alloy 48dp - 33T
U3434	Pinion; Hard Alloy 48dp - 34T
U3435	Pinion; Hard Alloy 48dp - 35T
U3436	Pinion; Hard Alloy 48dp - 36T
U3437	Pinion; Hard Alloy 48dp - 37T
U3438	Pinion; Hard Alloy 48dp - 38T
U3439	Pinion; Hard alloy 48dp - 39T
U3440	Pinion; Hard Alloy 48dp - 40T
U3619	Pinion; Hard Alloy 48dp - 41T
U3620	Pinion; Hard Alloy 48dp - 42T
U3621	Pinion; Hard Alloy 48dp - 43T
U3622	Pinion; Hard Alloy 48dp - 44T
U3623	Pinion; Hard Alloy 48dp - 45T
U3624	Pinion; Hard Alloy 64dp - 24T
U3625	Pinion; Hard Alloy 64dp - 25T
U3626	Pinion; Hard Alloy 64dp - 26T
U3627	Pinion; Hard Alloy 64dp - 27T
U3628	Pinion; Hard Alloy 64dp - 28T
U3629	Pinion; Hard Alloy 64dp - 29T
U3630	Pinion; Hard Alloy 64dp - 30T
U3631	Pinion; Hard Alloy 64dp - 31T
U3632	Pinion; Hard Alloy 64dp - 32T
U3633	Pinion; Hard Alloy 64dp - 33T
U3634	Pinion; Hard Alloy 64dp - 34T
U3635	Pinion; Hard Alloy 64dp - 35T
U3636	Pinion; Hard Alloy 64dp - 36T
U3637	Pinion; Hard Alloy 64dp - 37T
U3638	Pinion; Hard Alloy 64dp - 38T
U3639	Pinion; Hard Alloy 64dp - 39T
U3640	Pinion; Hard Alloy 64dp - 40T
U3641	Pinion; Hard Alloy 64dp - 41T
U3642	Pinion; Hard Alloy 64dp - 42T
U3643	Pinion; Hard Alloy 64dp - 43T
U3644	Pinion; Hard Alloy 64dp - 44T
U3645	Pinion; Hard Alloy 64dp - 45T
U3646	Pinion; Hard Alloy 64dp - 46T
U3647	Pinion; Hard Alloy 64dp - 47T
U3648	Pinion; Hard Alloy 64dp - 48T
U3649	Pinion; Hard Alloy 64dp - 49T
U3650	Pinion; Hard Alloy 64dp - 50T

### Bodyshells & Decals

AX001	Aerox Razor Body - 1/10 Touring - Light - 190mm
AX007	Aerox Razor Wing - 1.00mm
AX008	Aerox Razor Wing - 0.75mm
CR258	Body Repair Tape - 50mm x 1Mtr
KB48600	K1 Light Weight Racing Body EFRA/FEMCA/ROAR
MR33-RW05	MR33 Touring Rear Wing 0.5mm v2
MR33-RW10	MR33 Touring Rear Wing 1mm v2
MR33-RW2	MR33 Touring Rear Wing 0.7mm v2
MR-WING	MR33 Touring Wing - 1mm
MT018002H	Montech Wing Hard 1mm
MT018003M	Montech Wing Medium 0.75mm
MT019013	Montech Montecarlo Body - Std
MT019013ETS	Montech Montecarlo ETS Body
MT019013L	Montech Montecarlo Body - Light Weight
MT019013SL	Montech Montecarlo Superleggera Body
MT019018	Montech YSOT Body Standard
MT019018L	Montech YSOT Body Light Weight
MT021001	Montech IMOLA TC Body - Standard
MT021001L	Montech IMOLA TC Body - Lightweight

### Bodyshells & Decals Cont.

MT0210111	Montech Zero TC Body - Standard
MT0210111L	Montech Zero TC Body - Lightweight
U3478	Decal sheet - Schumacher and racing-cars.com (pk3)
U4806	Touring Car Wheel Arch Cutting Jig
U5119	Touring Car Wing + 2 End Plates - Clear
U5120	Touring Car Wing + 2 End Plates - Black
U5121	Touring Car Wing + 2 End Plates - Carbon
U8269	Decals - Mi8
XTMTB0413-05	Xtreme Twister Super Light TC Body
XTMTB0413-07	Xtreme Twister Ultra Light TC Body
XTMTB0415-05	Xtreme Twister Speciale - Super Light
XTMTB0415-06	Xtreme Twister Speciale - Ultra Light
XTMTB0415-07	Xtreme Twister Speciale - ETS
XTMTB0418-05	Xtreme Brutale Body - Super Light
XTMTB0418-06	Xtreme Brutale Body - Ultra Light
XTMTB0418-07	Xtreme Brutale Body - ETS

### Core-RC Hi Response Springs

CR840	CORE RC Hi Response TC Spring 1.9 - White
CR841	CORE RC Hi Response TC Spring 2.1 - Red
CR842	CORE RC Hi Response TC Spring 2.3 - Green
CR848	CORE RC Hi Response TC Spring 2.5 - Blue
CR843	CORE RC Hi Response TC Spring 2.6 - Black
CR844	CORE RC Hi Response TC Spring 2.7 - Orange
CR845	CORE RC Hi Response TC Spring 2.8 - Yellow
CR846	CORE RC Hi Response TC Spring 2.9 - Purple
CR847	CORE RC Hi Response TC Spring 2.2-2.9 Brown
CR849	CORE RC Hi Response TC Spring 3.1 - Grey
CR850	CORE RC Hi Response TC Spring 3.3 - Pink
CR851	CORE RC Hi Response TC Spring 3.5 - Green/Yellow
CR852	CORE RC Hi Response TC Spring Set - Soft
CR853	CORE RC Hi Response TC Spring Set - Med
CR854	CORE RC Hi Response TC Spring Set - Hard
U7539	Ultra Short Shock Springs 3.0 pr - Mi6/ev0,Mi7

### Wheels and Tyres

JR-34RY	Contact Pre-Glued A34 Outdoor Spec - pk4
JR-A30KS	Contact Pre-Glued A30 Carpet Spec - pk4
LRP65040	VTEC G32 Pre-Glued TC Asphalt Wheels-4pcs
LRP65041	VTEC G36 Pre-Glued TC Asphalt Wheels-4pcs
LRP65050	VTEC CPX-V22 Pre-Glued TC Carpet Wheels-4pcs
R-A30KS	Contact Pre-Glued A30 Carpet Spec - pk4
RU0445	Rush PreGlued Carpet Tyres 30CPM
RU0445	Rush PreGlued Carpet Tyres 30CPM
RU0449	Rush Preglued Tyres 32M R2
RU-0450	SPE36VR2 Rush Japan Nats Control Tyre
RU0569	Rush Pre-Glued Tyres SPC32M R2 BTCC 4pcs
RU0569	Rush Pre-Glued Tyres SPC32M R2 BTCC 4pcs
U2500	Rev-Lite; 24mm - White (Pk4)
U2777	Rev-Lite; Flex 24mm - White (Pk4)
U3792	Rev-Lite wheel Std; 20mm - White (Pk4)
U6623	SST Mini Pins 24/25 - Blue (pr)
U6624	SST Mini Pins 24/25 - Yellow (pr)
U6627	SST Foam Tyre Insert - 24/25 Hard (pr)
U6628	SST Foam Tyre Insert - 24/25 Comp (pr)
U6629	SST Rally 24/25 - Yellow (pr)
U6630	SST Rally 24/25 - White (pr)
U6635	SST Foam Tyre Insert - 20 Hard (pr)
U6670	SST Mini Pins 20 - Blue (pr)
U6671	SST Mini Pins 20 - Yellow (pr)
U6672	SST Belted Slick 25 - White (pr)
U6690	SST Carpet Dragon 24/25mm (pr)
U6716	SST Mini Pins 24/25 - Green (pr)
U6717	SST Mini Pins 20 - Green (pr)
U6758	Moulded Insert; Yellow - Touring (pr)
U6764	JB Foam Inserts (pr)
U6780	Moulded Insert: Red - Touring (pr)
U6799	Foam Inserts - Touring - Dark Grey - (pr)
XG-RAIN	Shimizu D01J Wet Pre-Glued - pk4 BRCA-V3.1

Driver: **Andy Murray** Track: **N/A** Event: **BRCA National Championship Baseline**  
 Date: **N/A** Qualifying: **N/A** Final: **P1** Best Lap: **N/A**

### TRACK TYPE

Grip Level  High  Medium  Low   
 Type  Tight  Open  Mixed   
 Condition  Flat  Bumpy  Mixed   
 Surface  Tarmac (Asphalt)  Carpet   
 Track Temp  °C  
 Weather

Notes:

### TYRES

Tyres   
 Cleaner   
 Additive   
 Additive Time Front:  mins Rear:  mins  
 Heating Time Front:  mins Rear:  mins  
 Heating Temp Front:  °C Rear:  °C

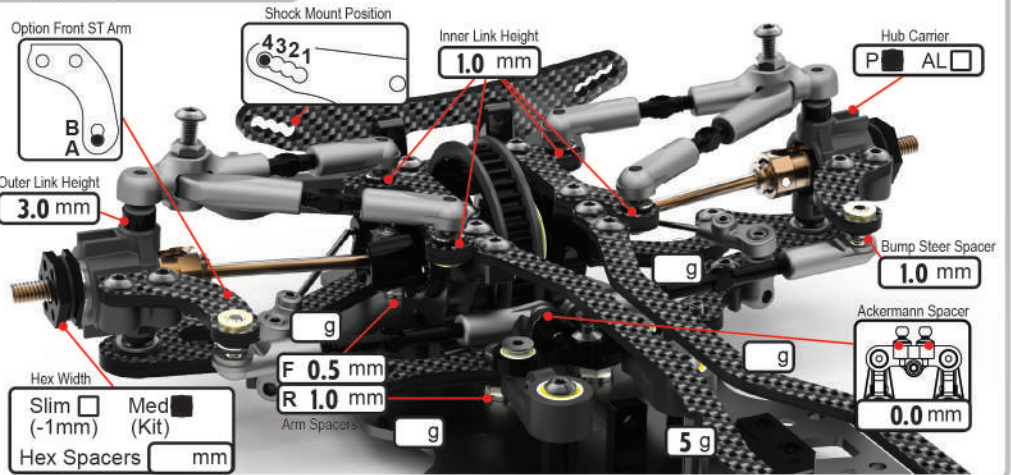
Notes:

### FRONT

KEY: CF = Carbon Fibre, AL = Aluminium, P = Plastic, F = Front, R = Rear  
 H = High, L = Low, Y = Yes, N = No, V = Vertical, H = Horizontal

Ride Height  mm  
 Camber  deg  
 Droop  mm  
 Castor  deg  
 Toe  deg  
 Anti Roll Bar  1.1  1.2  1.3  1.4   
 Upper Link Mount  0 dot  1 dot   
 Spool Height  H  L   
 Diff Oil (if applicable)   
 Servo Horn Height  mm Saver   
 Steering Travel  in  out

Notes:

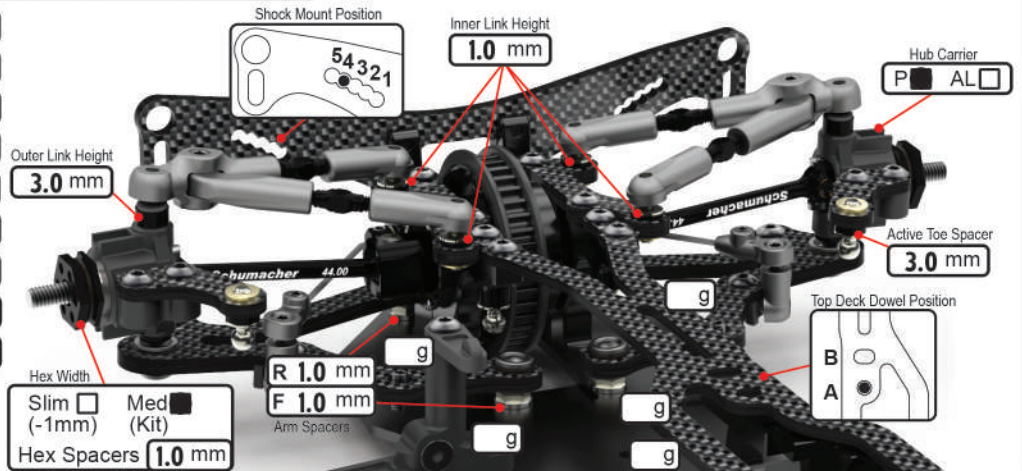


### REAR

KEY: CF = Carbon Fibre, AL = Aluminium, P = Plastic, F = Front, R = Rear  
 H = High, L = Low, Y = Yes, N = No, V = Vertical, H = Horizontal

Ride Height  mm  
 Camber  deg  
 Droop  mm  
 Castor  deg  
 Toe  deg  
 Anti Roll Bar  1.1  1.2  1.3  1.4   
 Upper Link Mount  0 dot  1 dot   
 Diff Height  H  L   
 Diff Oil

Notes:



### BODYSHELL

Body   
 Wing   
 Wing Height  mm  
 Front Height  mm  
 Body Stopper  Y  N   
 Stopper Height  mm  
 Body Weight  g  
 Rear Posts  V  H   
 Body Offset Fwd  mm  
 Wing Offset Rwd  mm

Notes:

### CHASSIS

Chassis  AL  CF   
 Top Deck  2mm Kit  1.6mm  2 piece   
 T Brace  Y  N   
 Motor Mount Screws  1  2  3  4  
 Rear  Front   
 Total Weight  g  
 Mass Damper  F  R   
 F  cSt  
 R  cSt

Notes:

### ELECTRONICS

E.S.C.   
 Servo   
 RX   
 LiPo   
 Motor   
 Rotor Dia.  mm  
 Timing  deg  
 Gear Pitch  48  64   
 Pinion  t  
 Spur  t  
 Ratio

### SHOCKS

KEY: x = Stroke, e = external  
 V = Vented (Drilled), S = Sealed

	FRONT	REAR
Cap Type	<input checked="" type="checkbox"/> V <input type="checkbox"/> S	<input checked="" type="checkbox"/> V <input type="checkbox"/> S
Body	<input checked="" type="checkbox"/> Kit <input type="checkbox"/> Kashima Coated	
Oil	<input type="text" value="300"/> cSt	<input type="text" value="300"/> cSt
Piston	<input type="text" value="kit - 4 hole 1.1mm"/>	<input type="text" value="kit - 4 hole 1.1mm"/>
Spring	<input type="text" value="Core-RC Grey"/>	<input type="text" value="Core-RC Purple"/>
Length (x)	<input type="text" value="9.0"/> mm	<input type="text" value="9.0"/> mm
Rebound	<input type="text" value="0.0"/> mm	<input type="text" value="0.0"/> mm
Limiters (e)	<input type="text" value="0.0"/> mm	<input type="text" value="0.0"/> mm

Notes:

Driver: **Zak Smith**      Track: **Telford**      Event: **Midland Indoor Carpet Championship R1**  
 Date: **17/10/21**      Qualifying:      Final: **P2**      Best Lap:

### TRACK TYPE

Grip Level  High  Medium  Low  
 Type  Tight  Open  Mixed   
 Condition  Flat  Bumpy  Mixed   
 Surface  Tarmac (Asphalt)  Carpet  
 Track Temp \_\_\_\_\_ °C  
 Weather \_\_\_\_\_

Notes:

### TYRES

Tyres **MICC**  
 Cleaner **Brake Cleaner**  
 Additive **CS High Grip**  
 Additive Time Front: **12** mins Rear: **12** mins  
 Heating Time Front: \_\_\_\_\_ mins Rear: \_\_\_\_\_ mins  
 Heating Temp Front: \_\_\_\_\_ °C Rear: \_\_\_\_\_ °C

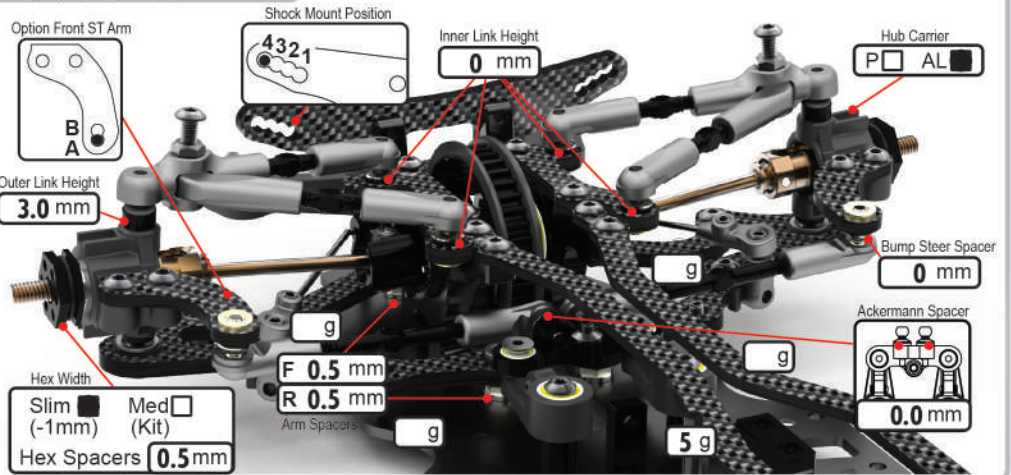
Notes:

### FRONT

KEY: CF = Carbon Fibre, AL = Aluminium, P = Plastic, F = Front, R = Rear  
 H = High, L = Low, Y = Yes, N = No, V = Vertical, H = Horizontal

Ride Height **5.0** mm  
 Camber **-2.0** deg  
 Droop **23.4** mm  
 Castor **4.0** deg  
 Toe **-1.0** deg  
 Anti Roll Bar  1.1  1.2  1.3  1.4  
 Upper Link Mount  0 dot  1 dot  
 Spool Height  H  L  
 Diff Oil (if applicable) \_\_\_\_\_ cSt  
 Servo Horn Height \_\_\_\_\_ mm Saver   
 Steering Travel **26** in \_\_\_\_\_ out

Notes:

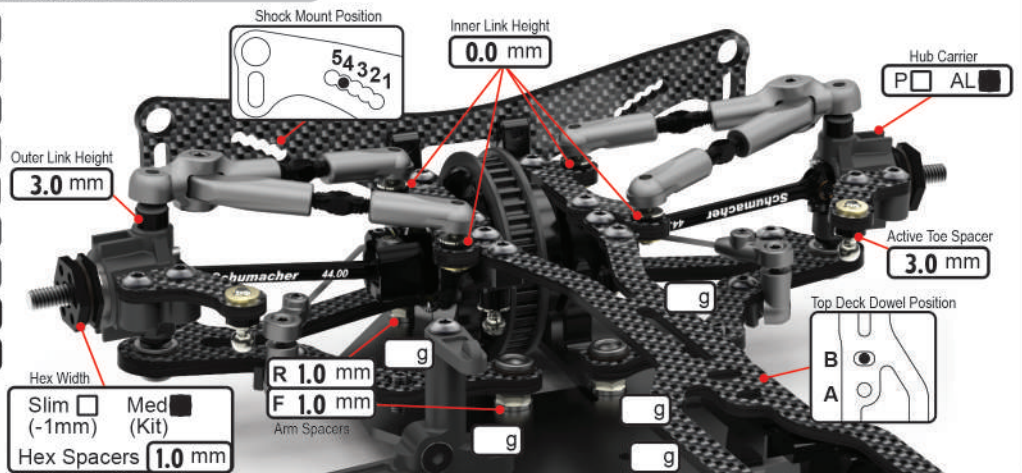


### REAR

KEY: CF = Carbon Fibre, AL = Aluminium, P = Plastic, F = Front, R = Rear  
 H = High, L = Low, Y = Yes, N = No, V = Vertical, H = Horizontal

Ride Height **5.2** mm  
 Camber **-2.0** deg  
 Droop **21.4** mm  
 Castor **4.0** deg  
 Toe **3.0** deg  
 Anti Roll Bar  1.1  1.2  1.3  1.4  
 Upper Link Mount  0 dot  1 dot  
 Diff Height  H  L  
 Diff Oil **4K** cSt

Notes:



### BODYSHELL

Body **Xtreme Speciale 0.5**  
 Wing **Xtreme 0.5**  
 Wing Height \_\_\_\_\_ mm  
 Front Height \_\_\_\_\_ mm  
 Body Stopper  Y  N  
 Stopper Height \_\_\_\_\_ mm  
 Body Weight \_\_\_\_\_ g  
 Rear Posts  V  H  
 Body Offset Fwd \_\_\_\_\_ mm  
 Wing Offset Rwd \_\_\_\_\_ mm

Notes:

### CHASSIS

Chassis  AL  CF  
 Top Deck  2mm Kit  1.6mm  2 piece  
 T Brace  Y  N  
 Motor Mount Screws **1 2 3 4**  
 Rear     Front  
 Total Weight **1320** g  
 Mass Damper **F**  \_\_\_\_\_ cSt **R**  \_\_\_\_\_ cSt

Notes:

### ELECTRONICS

E.S.C. **LRP Flow X**  
 Servo **Ko Propo**  
 RX **Sanwa**  
 LiPo **LRP Graphene 4 4000**  
 Motor **LRP X22 5.0 Turn**  
 Rotor Dia. **Std** mm  
 Timing **-5** deg  
 Gear Pitch **48**  **64**   
 Pinion \_\_\_\_\_ **21** t  
 Spur \_\_\_\_\_ **87** t  
 Ratio \_\_\_\_\_

### SHOCKS

KEY: x = Stroke, e = external  
 V = Vented (Drilled), S = Sealed

	FRONT	REAR
Cap Type	<input checked="" type="checkbox"/> V <input type="checkbox"/> S	<input checked="" type="checkbox"/> V <input type="checkbox"/> S
Body	<input checked="" type="checkbox"/> Kit <input type="checkbox"/> Kashima Coated	
Oil	<b>350</b> cSt	<b>350</b> cSt
Piston	<b>kit - 4 hole 1.1mm</b>	<b>kit - 4 hole 1.1mm</b>
Spring	<b>Core-RC Yellow</b>	<b>Core-RC Yellow</b>
Length (x)	<b>9.0</b> mm	<b>9.0</b> mm
Rebound	<b>0.0</b> mm	<b>0.0</b> mm
Limiters (e)	<b>0.0</b> mm	<b>0.0</b> mm

Notes:

Driver: **James Hart** Track: **Bedworth** Event: **Brca National**  
 Date: **26/09/21** Qualifying: **P1** Final: **P1** Best Lap: **12.75**

### TRACK TYPE

Grip Level High  Medium  Low   
 Type Tight  Open  Mixed   
 Condition Flat  Bumpy  Mixed   
 Surface Tarmac (Asphalt)  Carpet   
 Track Temp **32 °C**  
 Weather **Sunny/Dry**

Notes:

### TYRES

Tyres **BRCA**  
 Cleaner \_\_\_\_\_  
 Additive \_\_\_\_\_  
 Additive Time Front: **25** mins Rear: **25** mins  
 Heating Time Front: **25** mins Rear: **25** mins  
 Heating Temp Front: **50** °C Rear: **50** °C

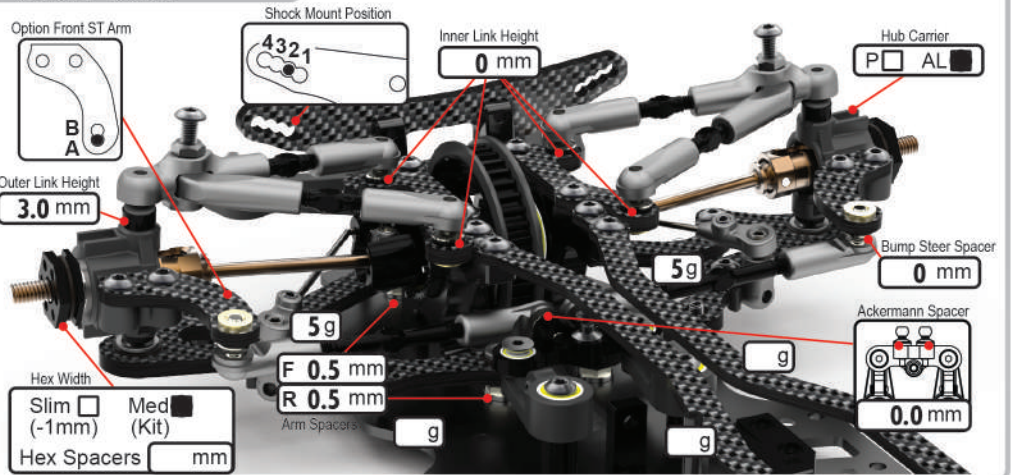
Notes:

### FRONT

KEY: CF = Carbon Fibre, AL = Aluminium, P = Plastic, F = Front, R = Rear  
 H = High, L = Low, Y = Yes, N = No, V = Vertical, H = Horizontal

Ride Height **5.0** mm  
 Camber **-1.75** deg  
 Droop **22.4** mm  
 Castor **4.0** deg  
 Toe **-0.5** deg  
 Anti Roll Bar 1.1  1.2  1.3  1.4   
 Upper Link Mount 0 dot  1 dot   
 Spool Height H  L   
 Diff Oil (if applicable) \_\_\_\_\_ cSt  
 Servo Horn Height **18** mm Saver   
 Steering Travel **27** in \_\_\_\_\_ out

Notes:

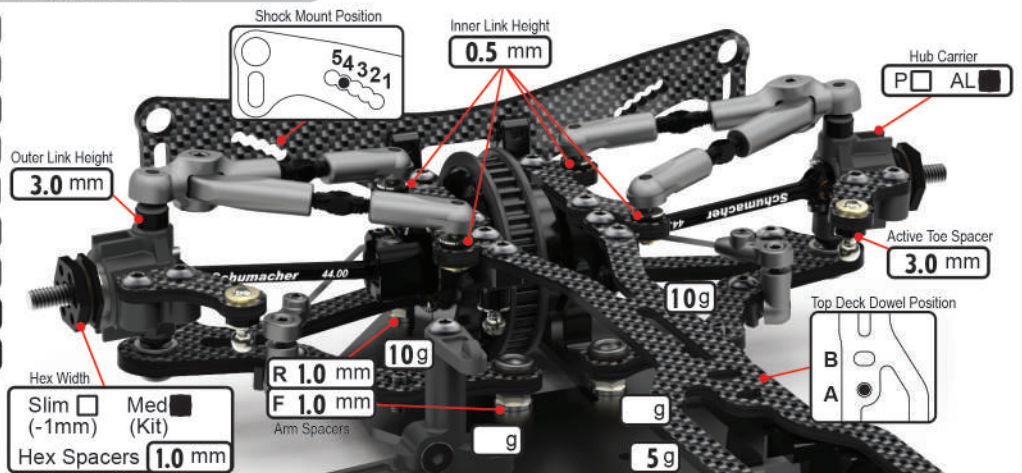


### REAR

KEY: CF = Carbon Fibre, AL = Aluminium, P = Plastic, F = Front, R = Rear  
 H = High, L = Low, Y = Yes, N = No, V = Vertical, H = Horizontal

Ride Height **5.2** mm  
 Camber **-2.0** deg  
 Droop **21.4** mm  
 Castor **4.0** deg  
 Toe **2.0** deg  
 Anti Roll Bar 1.1  1.2  1.3  1.4   
 Upper Link Mount 0 dot  1 dot   
 Diff Height H  L   
 Diff Oil **4K** cSt

Notes:



### BODYSHELL

Body **Xtreme Speciale 0.5**  
 Wing **Std**  
 Wing Height **113** mm  
 Front Height **5** mm  
 Body Stopper Y  N   
 Stopper Height **2** mm  
 Body Weight \_\_\_\_\_ g  
 Rear Posts V  H   
 Body Offset Fwd **3** mm  
 Wing Offset Rwd **0** mm

Notes:

### CHASSIS

Chassis AL  CF   
 Top Deck 2mm Kit   
 1.6mm   
 2 piece   
 T Brace Y  N   
 Motor Mount Screws 1 2 3 4  
 Rear     Front  
 Total Weight **1325** g  
 Mass Damper F  \_\_\_\_\_ cSt  
 R  \_\_\_\_\_ cSt

Notes:

### ELECTRONICS

E.S.C. **LRP Flow X**  
 Servo **Highest**  
 RX **Sanwa**  
 LiPo **LRP Graphene 4 6100**  
 Motor **LRP X22 13.5 Turn**  
 Rotor Dia. **Std** mm  
 Timing **45** deg  
 Gear Pitch 48  64   
 Pinion \_\_\_\_\_ t  
 Spur \_\_\_\_\_ t  
 Ratio **5.4**

### SHOCKS

KEY: x = Stroke, e = external  
 V = Vented (Drilled), S = Sealed

	FRONT	REAR
Cap Type	V <input checked="" type="checkbox"/> S <input type="checkbox"/>	V <input checked="" type="checkbox"/> S <input type="checkbox"/>
Body	Kit <input checked="" type="checkbox"/> Kashima Coated <input type="checkbox"/>	
Oil	<b>300</b> cSt	<b>300</b> cSt
Piston	kit - 4 hole 1.1mm	kit - 4 hole 1.1mm
Spring	<b>Core-RC Purple</b>	<b>Core-RC Purple</b>
Length (x)	<b>9.0</b> mm	<b>9.0</b> mm
Rebound	<b>0.0</b> mm	<b>0.0</b> mm
Limiters (e)	<b>0.0</b> mm	<b>0.0</b> mm

Notes:



Driver: **Michal Orlowski** Track: **ETS Carpet** Event: **Carpet Baseline**  
 Date: \_\_\_\_\_ Qualifying: \_\_\_\_\_ Final: \_\_\_\_\_ Best Lap: \_\_\_\_\_

### TRACK TYPE

Grip Level  High  Medium  Low   
 Type  Tight  Open  Mixed   
 Condition  Flat  Bumpy  Mixed   
 Surface  Tarmac (Asphalt)  Carpet   
 Track Temp \_\_\_\_\_ °C  
 Weather \_\_\_\_\_

Notes:

### TYRES

Tyres **Matrix ETS**  
 Cleaner **MR33 V3**  
 Additive **MR33 V3**  
 Additive Time Front: **10** mins Rear: **10** mins  
 Heating Time Front: \_\_\_\_\_ mins Rear: \_\_\_\_\_ mins  
 Heating Temp Front: \_\_\_\_\_ °C Rear: \_\_\_\_\_ °C

Notes:

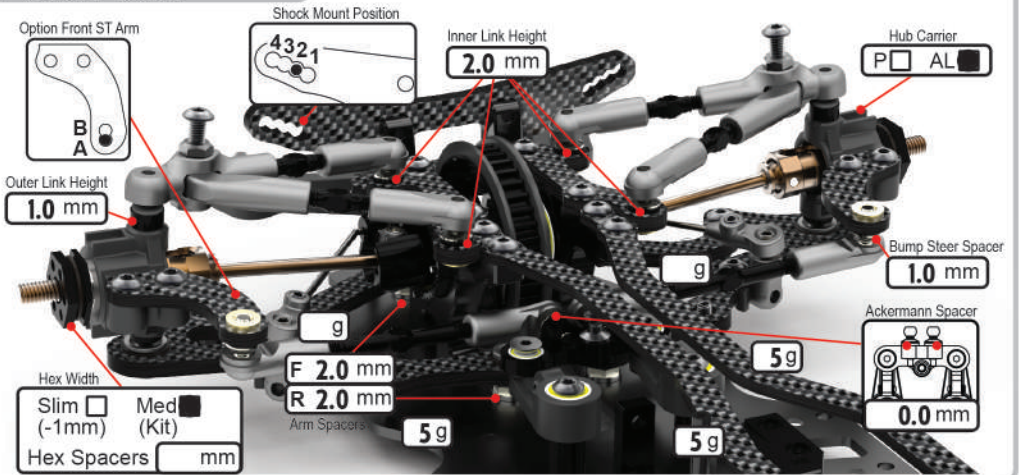
\*Outer Upper Link Height: Shorter thread ball studs must be used when less than 3mm is used. U4904 - Ball Stud Short.\*

### FRONT

KEY: CF = Carbon Fibre, AL = Aluminium, P = Plastic, F = Front, R = Rear  
 H = High, L = Low, Y = Yes, N = No, V = Vertical, H = Horizontal

Ride Height **5.0** mm  
 Camber **-2.0** deg  
 Droop **24.0** mm  
 Castor **4.0** deg  
 Toe **-1.0** deg  
 Anti Roll Bar  1.1  1.2  1.3  1.4   
 Upper Link Mount  0 dot  1 dot   
 Spool Height  H  L   
 Diff Oil (if applicable) \_\_\_\_\_ cSt  
 Servo Horn Height **17** mm Saver   
 Steering Travel \_\_\_\_\_ in **17** out

Notes:

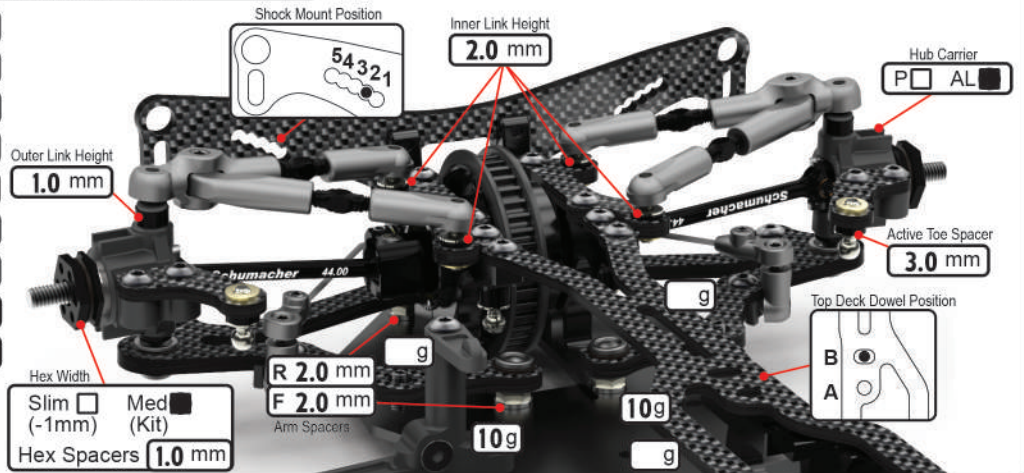


### REAR

KEY: CF = Carbon Fibre, AL = Aluminium, P = Plastic, F = Front, R = Rear  
 H = High, L = Low, Y = Yes, N = No, V = Vertical, H = Horizontal

Ride Height **5.2** mm  
 Camber **-2.0** deg  
 Droop **23.0** mm  
 Castor **4.0** deg  
 Toe **2.0-2.4** deg  
 Anti Roll Bar  1.1  1.2  1.3  1.4   
 Upper Link Mount  0 dot  1 dot   
 Diff Height  H  L   
 Diff Oil **9K** cSt

Notes:



### BODYSHELL

Body **Xtreme Speciale 0.5**  
 Wing **Twister 0.5**  
 Wing Height **114** mm  
 Front Height **6.5** mm  
 Body Stopper  Y  N   
 Stopper Height **5.0** mm  
 Body Weight \_\_\_\_\_ g  
 Rear Posts  V  H   
 Body Offset Fwrd **5** mm  
 Wing Offset Rwrdr **0** mm

Notes:

### CHASSIS

Chassis  AL  CF   
 Top Deck  2mm Kit  1.6mm  2 piece   
 T Brace  Y  N   
 Motor Mount Screws **1 2 3 4**  
 Rear     Front   
 Total Weight **1320** g  
 Mass Damper **F** \_\_\_\_\_ cSt **R** \_\_\_\_\_ cSt

Notes:

### ELECTRONICS

E.S.C. **LRP Flow X**  
 Servo **Power HD**  
 RX **Sanwa**  
 LiPo **LRP Graphene 4 4000**  
 Motor **LRP X22 5.0 Turn**  
 Rotor Dia. **Std** mm  
 Timing **-5** deg  
 Gear Pitch  48  64   
 Pinion \_\_\_\_\_ **20** t  
 Spur \_\_\_\_\_ **85** t  
 Ratio \_\_\_\_\_ **7.73**

### SHOCKS

KEY: x = Stroke, e = external  
 V = Vented (Drilled), S = Sealed

	FRONT	REAR
Cap Type	<input checked="" type="checkbox"/> V <input type="checkbox"/> S <input type="checkbox"/>	<input checked="" type="checkbox"/> V <input type="checkbox"/> S <input type="checkbox"/>
Body	<input checked="" type="checkbox"/> Kit <input type="checkbox"/> Kashima Coated <input type="checkbox"/>	
Oil	<b>350</b> cSt	<b>350</b> cSt
Piston	<b>kit - 4 hole 1.1mm</b>	<b>kit - 4 hole 1.1mm</b>
Spring	<b>Core-RC Orange</b>	<b>Core-RC Brown</b>
Length (x)	<b>9.0</b> mm	<b>9.0</b> mm
Rebound	<b>0.0</b> mm	<b>0.0</b> mm
Limiters (e)	<b>0.0</b> mm	<b>0.0</b> mm

Notes:

Driver: \_\_\_\_\_ Track: \_\_\_\_\_ Event: \_\_\_\_\_  
 Date: \_\_\_\_\_ Qualifying: \_\_\_\_\_ Final: \_\_\_\_\_ Best Lap: \_\_\_\_\_

### TRACK TYPE

Grip Level  High  Medium  Low   
 Type  Tight  Open  Mixed   
 Condition  Flat  Bumpy  Mixed   
 Surface  Tarmac (Asphalt)  Carpet   
 Track Temp \_\_\_\_\_ °C  
 Weather \_\_\_\_\_

Notes:

### TYRES

Tyres \_\_\_\_\_  
 Cleaner \_\_\_\_\_  
 Additive \_\_\_\_\_  
 Additive Time Front: \_\_\_\_\_ mins Rear: \_\_\_\_\_ mins  
 Heating Time Front: \_\_\_\_\_ mins Rear: \_\_\_\_\_ mins  
 Heating Temp Front: \_\_\_\_\_ °C Rear: \_\_\_\_\_ °C

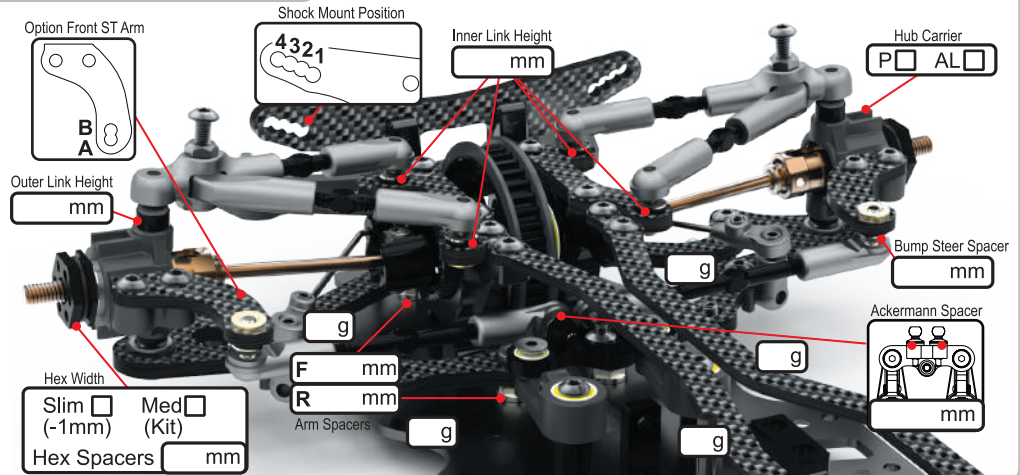
Notes:

### FRONT

KEY: CF = Carbon Fibre, AL = Aluminium, P = Plastic, F = Front, R = Rear  
 H = High, L = Low, Y = Yes, N = No, V = Vertical, H = Horizontal

Ride Height \_\_\_\_\_ mm  
 Camber \_\_\_\_\_ deg  
 Droop \_\_\_\_\_ mm  
 Castor \_\_\_\_\_ deg  
 Toe \_\_\_\_\_ deg  
 Anti Roll Bar  1.1  1.2  1.3  1.4  
 Upper Link Mount  0 dot  1 dot  
 Spool Height  H  L  
 Diff Oil (if applicable) \_\_\_\_\_ cSt  
 Servo Horn Height \_\_\_\_\_ mm Saver   
 Steering Travel \_\_\_\_\_ in \_\_\_\_\_ out

Notes:

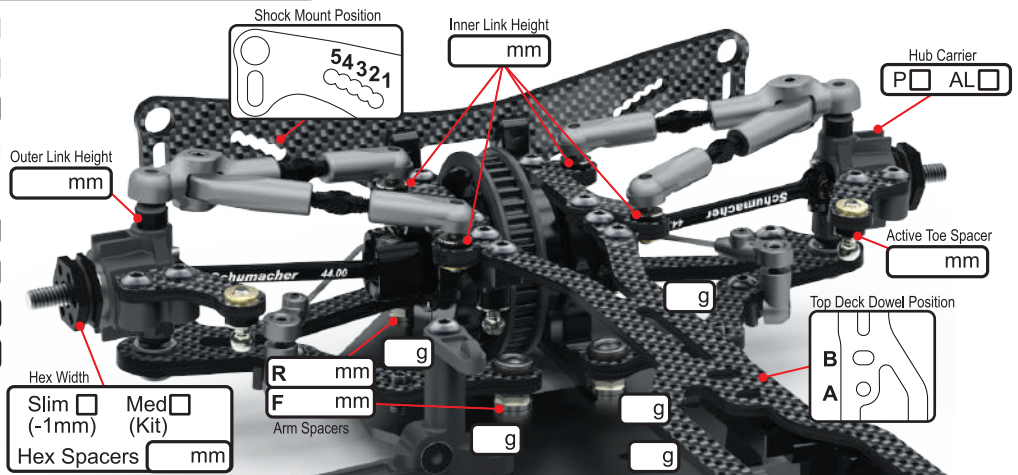


### REAR

KEY: CF = Carbon Fibre, AL = Aluminium, P = Plastic, F = Front, R = Rear  
 H = High, L = Low, Y = Yes, N = No, V = Vertical, H = Horizontal

Ride Height \_\_\_\_\_ mm  
 Camber \_\_\_\_\_ deg  
 Droop \_\_\_\_\_ mm  
 Castor \_\_\_\_\_ deg  
 Toe \_\_\_\_\_ deg  
 Anti Roll Bar  1.1  1.2  1.3  1.4  
 Upper Link Mount  0 dot  1 dot  
 Diff Height  H  L  
 Diff Oil \_\_\_\_\_ cSt

Notes:



### BODYSHELL

Body \_\_\_\_\_  
 Wing \_\_\_\_\_  
 Wing Height \_\_\_\_\_ mm  
 Front Height \_\_\_\_\_ mm  
 Body Stopper  Y  N   
 Stopper Height \_\_\_\_\_ mm  
 Body Weight \_\_\_\_\_ g  
 Rear Posts  V  H   
 Body Offset Fwrd \_\_\_\_\_ mm  
 Wing Offset Rwrdr \_\_\_\_\_ mm

Notes:

### CHASSIS

Chassis  AL  CF   
 Top Deck 2mm Kit   
 1.6mm   
 2 piece   
 T Brace  Y  N   
 Motor Mount Screws  
 1 2 3 4  
 Rear     Front  
 Total Weight \_\_\_\_\_ g  
 Mass Damper  
 F  \_\_\_\_\_ cSt  
 R  \_\_\_\_\_ cSt

Notes:

### ELECTRONICS

E.S.C. \_\_\_\_\_  
 Servo \_\_\_\_\_  
 RX \_\_\_\_\_  
 LiPo \_\_\_\_\_  
 Motor \_\_\_\_\_  
 Rotor Dia. \_\_\_\_\_ mm  
 Timing \_\_\_\_\_ deg  
 Gear Pitch 48  64   
 Pinion \_\_\_\_\_ t  
 Spur \_\_\_\_\_ t  
 Ratio \_\_\_\_\_

### SHOCKS

KEY: x = Stroke, e = external  
 V = Vented (Drilled), S = Sealed

	FRONT	REAR
Cap Type	<input type="checkbox"/> V <input type="checkbox"/> S	<input type="checkbox"/> V <input type="checkbox"/> S
Body	<input type="checkbox"/> Kit <input type="checkbox"/> Kashima Coated	
Oil	_____ cSt	_____ cSt
Piston	_____	_____
Spring	_____	_____
Length (x)	_____ mm	_____ mm
Rebound	_____ mm	_____ mm
Limiters (e)	_____ mm	_____ mm

Notes: