

ECLIPSE 5

WORLD CLASS 1/12TH PRO LMP CHASSIS

Driver: **Michal Orłowski** Track: **Hudy Arena** Event: **x2 EFRA 1/12 European Championship**
 Date: **08-10/04/2022** Qualifying: **1st x2** Final: **1st x2** Best Lap:

TRACK TYPE

Grip Level High Medium Low

Type Tight Open Mixed

Condition Flat Bumpy Mixed

Carpet Type **New ETS**

Track Temp °C

Weather

Notes:

TYRES

Side Wall Glue F: Y N

Tyres Front: **Contact Jt2-35FT** Rear: **Contact Jt3-35RT**

Diameter Front: **40.5 mm** Rear: **41.5 mm**

Additive **Speedtech** Coverage Front: **14mm**

Additive On Time Total time before the race starts Front: **8 mins** Rear: **40 mins**

Additive Off Time Total time the tyre is dry before the race Front: **6 mins** Rear: **7 mins**

Tyre Age Runs: **0** Time Between Runs **N/A**

Notes:

Stock 13.5T and Modified European Champion 2022

FRONT

KEY: CF = Carbon Fibre, AL = Aluminium, P = Plastic, F = Front, R = Rear
 H = High, L = Low, Y = Yes, N = No, V = Vertical, H = Horizontal

Ride Height **3.4 mm**

Droop **0.75 mm**

Toe Out **1.0 deg** St Links **15.6 mm**

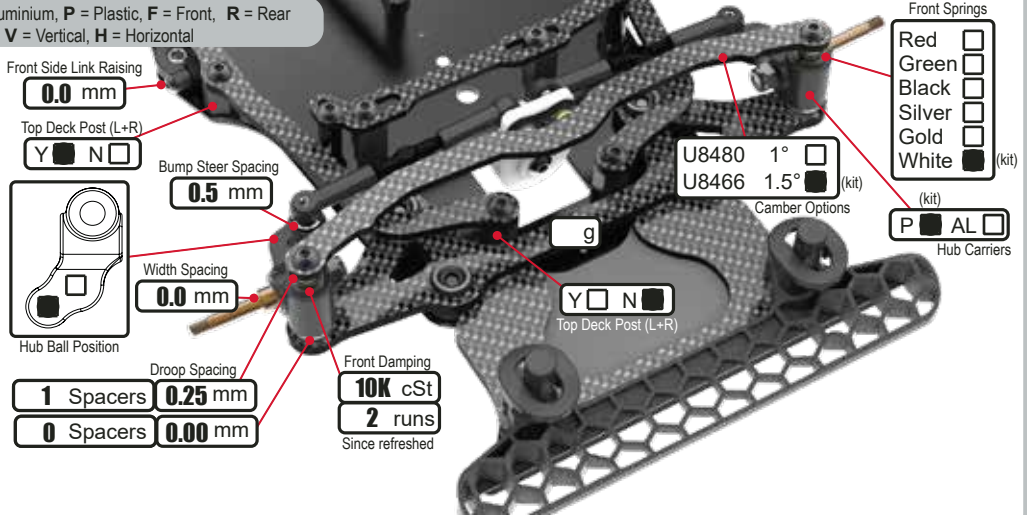
Servo Saver Type **Kimbrogh 25T**

Steering Travel **28 in** out

Castor (+Ride Height Set) **4 deg**

0.50 mm (Rear) 2.00 mm (Front) (Total Spacing)

Notes:



REAR

KEY: CF = Carbon Fibre, AL = Aluminium, P = Plastic, F = Front, R = Rear
 H = High, L = Low, Y = Yes, N = No, V = Vertical, H = Horizontal

Ride Height **3.6 mm**

Droop **1.2 mm**

Track width (total) **172 mm**

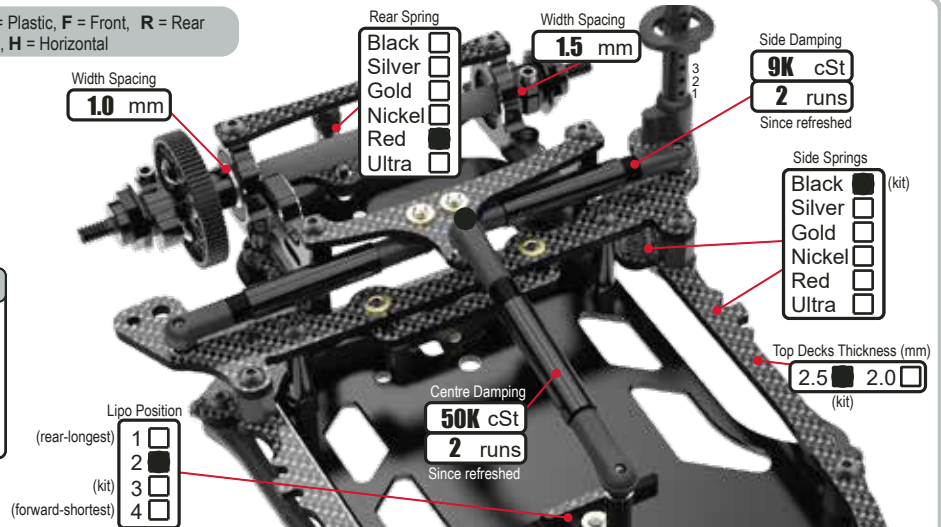
Drive Type Diff Spool Hex

Diff Preload (if applicable)

Eccentric Height **0.25**

Pod Angle **4.2 mm** (Kit = 4.2mm)

Notes:



BODYSHELL

Body **Montech M20 LW**

Rear Wing Height **81 mm**

Front Height **5 mm**

Front Post Hole # **N/A**

Front Post Hanger # **N/A**

Rear Post Hole # **6**

Rear Post Hanger # **1**

Body F/R Offset **0 mm**

Body Weight **30 g**

Foam Pads (U2840) F R

Notes:

CHASSIS

Chassis AL CF

Centre Pivot AL

Spacing **1.0 mm**

Total Weight **732 g**

Weight Distribution F : R

Motor Spacer **1 mm**

Motor Fan

Notes:

ELECTRONICS

E.S.C. **Hobbywing XR10 1S**

Servo **Sanwa PGS-HR**

RX **Sanwa**

LiPo **LRP Graphene 4 8100**

Motor **Hobbywing 6.5t + 13.5t**

Rotor Dia. **Std mm**

Timing **47.5 deg**

Gear Pitch 48 64

Pinion **34 - 44 t**

Spur **88 - 76 t**

Rollout mm/rev

Notes: