

SET UP SHEET

ECLIPSE 5

WORLD CLASS 1/12TH PRO LMP CHASSIS

Driver: **Test Driver** Track: **Any** Event: **Kit Build**
 Date: **08/12/2022** Qualifying: Final: Best Lap:

TRACK TYPE

Grip Level High Medium Low
 Type Tight Open Mixed
 Condition Flat Bumpy Mixed
 Carpet Type **Lindau/Primafelt/ETS**
 Track Temp _____ °C
 Weather _____

Notes:

TYRES

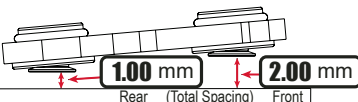
Side Wall Glue F: Y N
 Tyres Front: **Contact Jt2-35FT** Rear: **Contact Jt3-35RT**
 Diameter Front: **40.5 mm** Rear: **41.5 mm**
 Additive **SXT 3.0** Coverage Front: **14mm**
 Additive On Time Total time before the race starts Front: **8 mins** Rear: **25 mins**
 Additive Off Time Total time the tyre is dry before the race Front: **4 mins** Rear: **6 mins**
 Tyre Age Runs: **2** Time Between Runs **2 hours**

Notes:

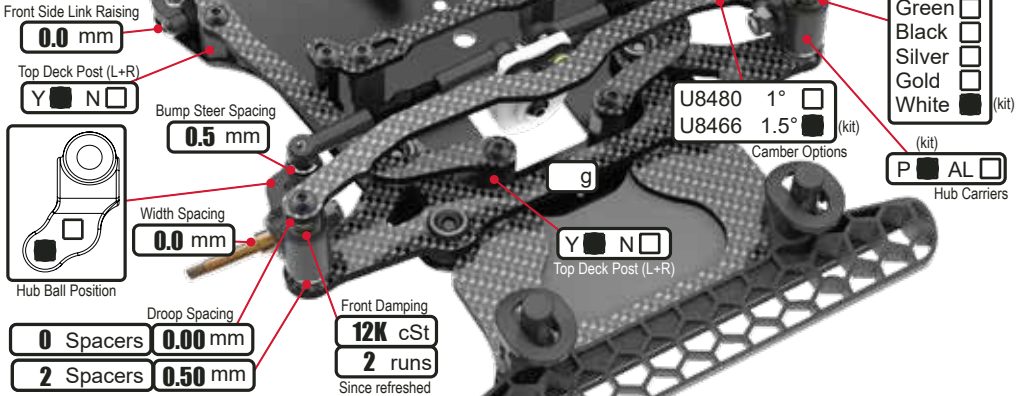
FRONT

KEY: CF = Carbon Fibre, AL = Aluminium, P = Plastic, F = Front, R = Rear
 H = High, L = Low, Y = Yes, N = No, V = Vertical, H = Horizontal

Ride Height **3.4 mm**
 Droop **0.5 mm**
 Toe Out **1.0 deg** St Links **15.6 mm**
 Servo Saver Type **Kimbrogh 25T**
 Steering Travel **25 in** out
 Castor (+Ride Height Set) **3 deg**



Notes:

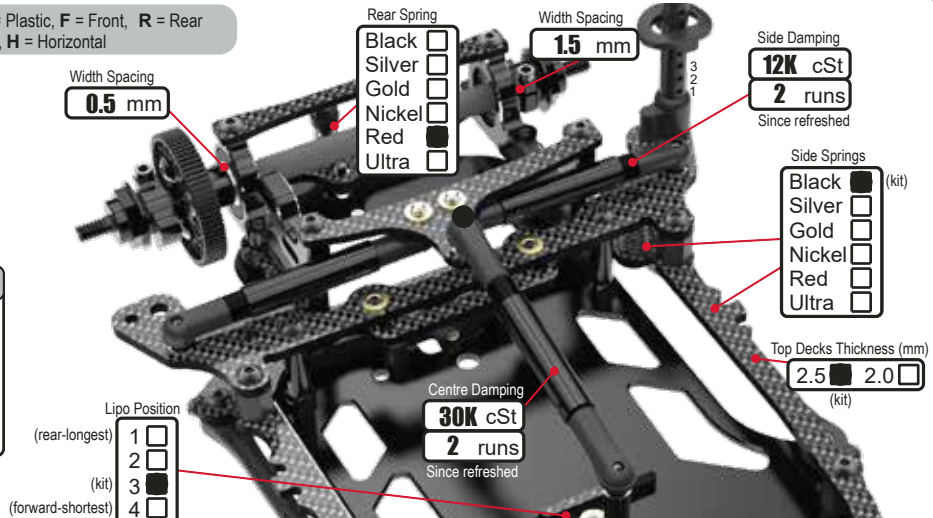


Front Side Link Raising **0.0 mm**
 Top Deck Post (L+R) Y N
 Bump Steer Spacing **0.5 mm**
 Width Spacing **0.0 mm**
 Hub Ball Position
 Droop Spacing **0 Spacers 0.00 mm**
2 Spacers 0.50 mm
 Front Damping **12K cSt**
2 runs Since refreshed
 Camber Options U8480 1° U8466 1.5° (kit)
 Front Springs Red Green Black Silver Gold White (kit)
 Hub Carriers P AL
 Top Deck Post (L+R) Y N

REAR

KEY: CF = Carbon Fibre, AL = Aluminium, P = Plastic, F = Front, R = Rear
 H = High, L = Low, Y = Yes, N = No, V = Vertical, H = Horizontal

Ride Height **3.6 mm**
 Droop **1.0 mm**
 Track width (total) **171.5 mm**
 Drive Type Diff Spool Hex
 Diff Preload (if applicable) _____
 Eccentric Height **0.50**
 Pod Angle **4.2 mm**
Kit = 4.2mm



Width Spacing **0.5 mm**
 Rear Spring Black Silver Gold Nickel Red Ultra
 Width Spacing **1.5 mm**
 Side Damping **12K cSt**
2 runs Since refreshed
 Side Springs Black Silver Gold Nickel Red Ultra (kit)
 Top Decks Thickness (mm) **2.5** **2.0** (kit)
 Centre Damping **30K cSt**
2 runs Since refreshed
 Lipo Position (rear-longest) 1 2 (kit) 3 4 (forward-shortest)

BODYSHELL

Body **Montech MT21**
 Rear Wing Height **80 mm**
 Front Height **6 mm**
 Front Post Hole # **N/A**
 Front Post Hanger # **N/A**
 Rear Post Hole # **5**
 Rear Post Hanger # **3**
 Body F/R Offset **0 mm**
 Body Weight **35 g**
 Foam Pads (U2840) F R

Notes:

CHASSIS

Chassis AL CF
 Centre Pivot AL
 Spacing _____ mm
 Total Weight **732 g**
 Weight Distribution F : R
 Motor Spacer **0 mm**
 Motor Fan _____

Notes:

ELECTRONICS

E.S.C. **Hobbywing XR10 1S**
 Servo **Sanwa PGS-HR**
 RX **Sanwa**
 LiPo **LRP Graphene 4 8100**
 Motor **Hobbywing G4**
 Rotor Dia. _____ Std mm
 Timing _____ **40 deg**
 Gear Pitch 48 64
 Pinion _____ **39 t**
 Spur _____ **76 t**
 Rollout _____ **66.90 mm/rev**

Notes: