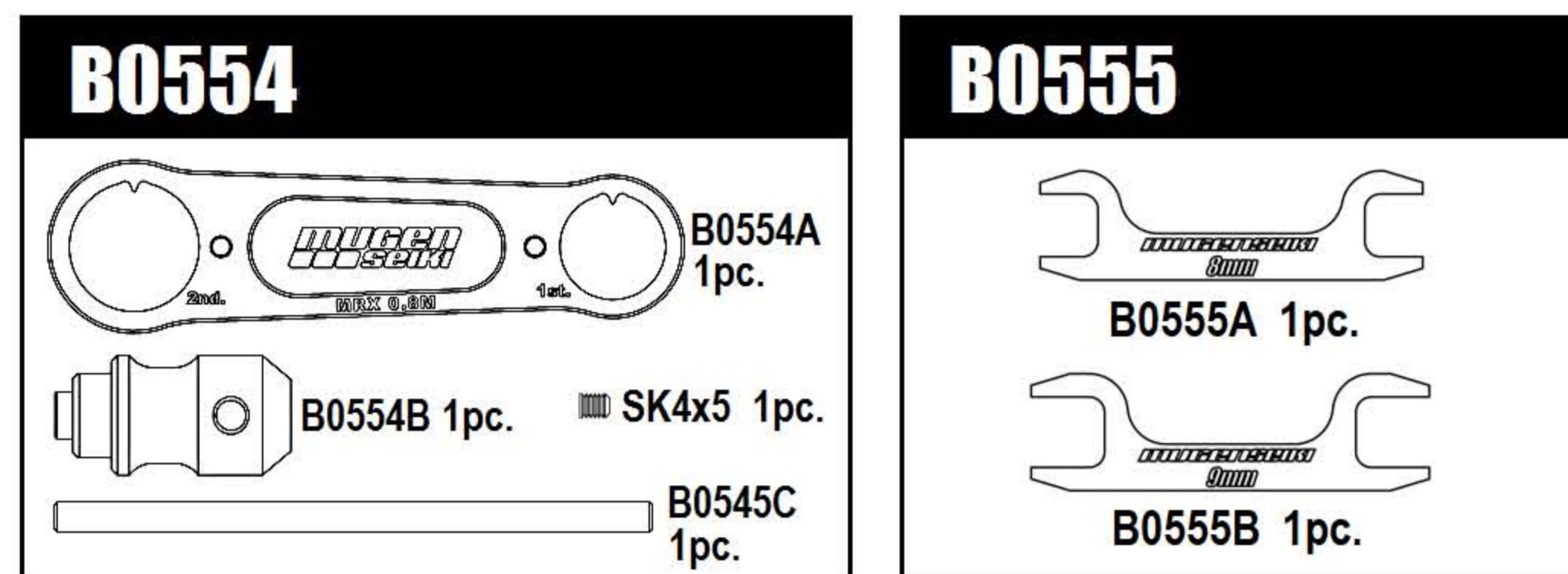
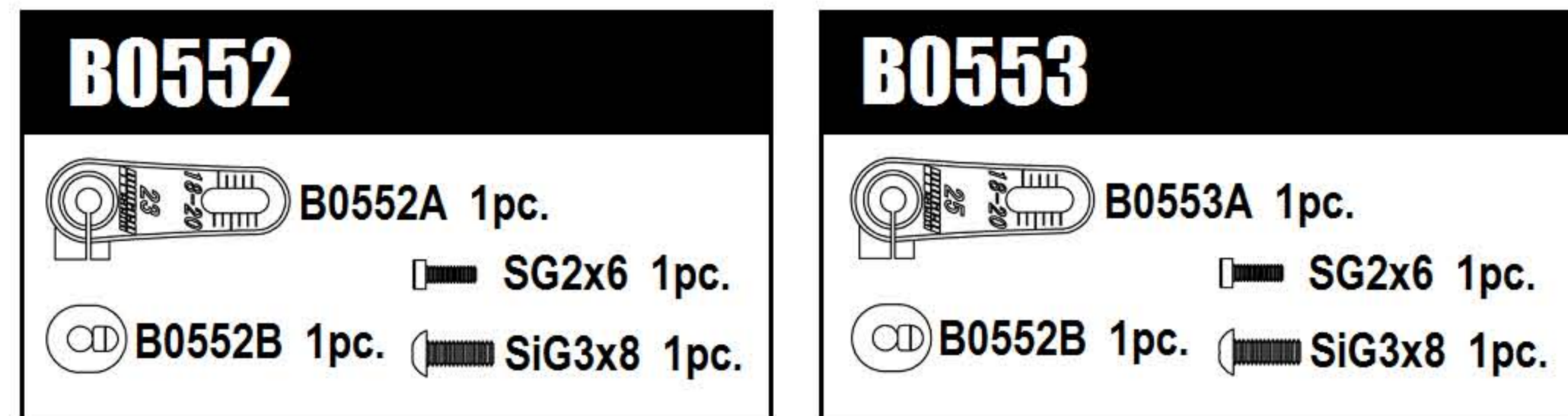
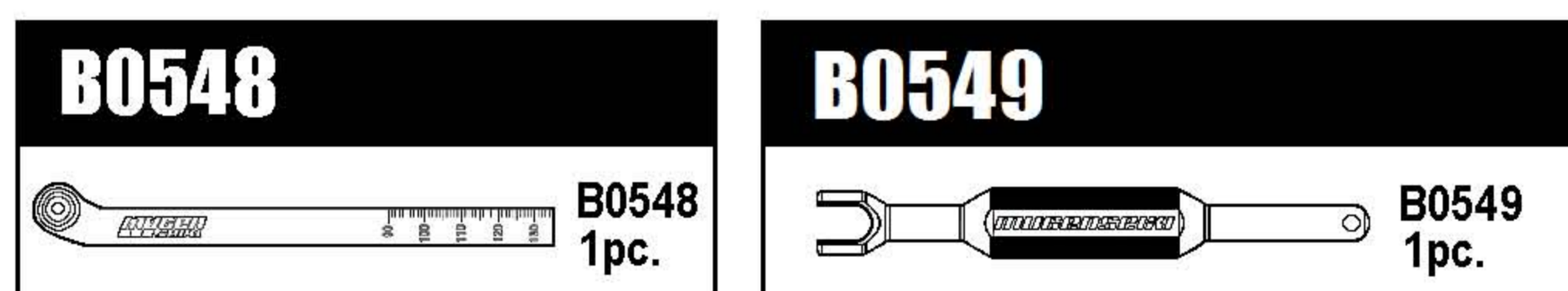
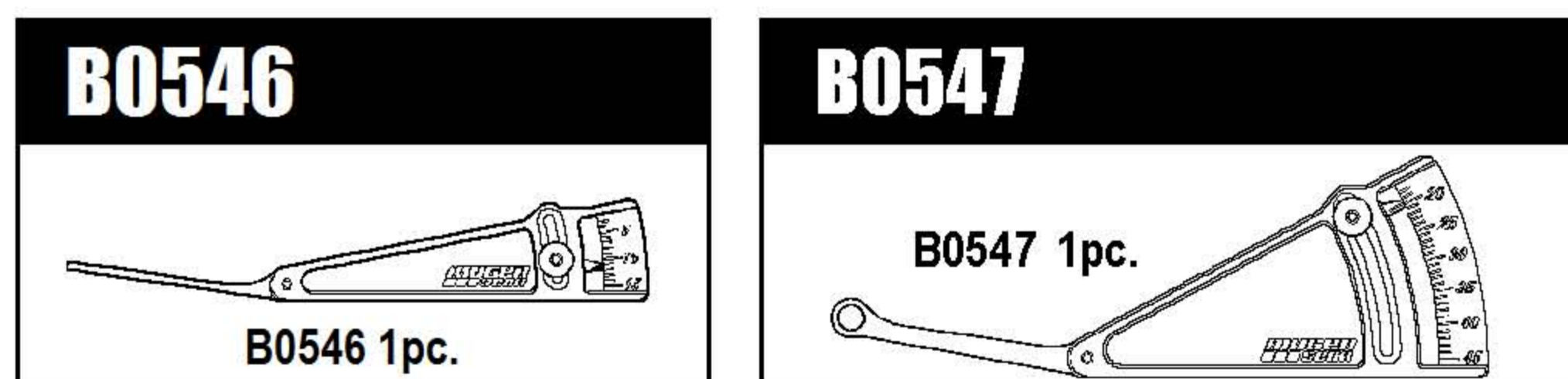
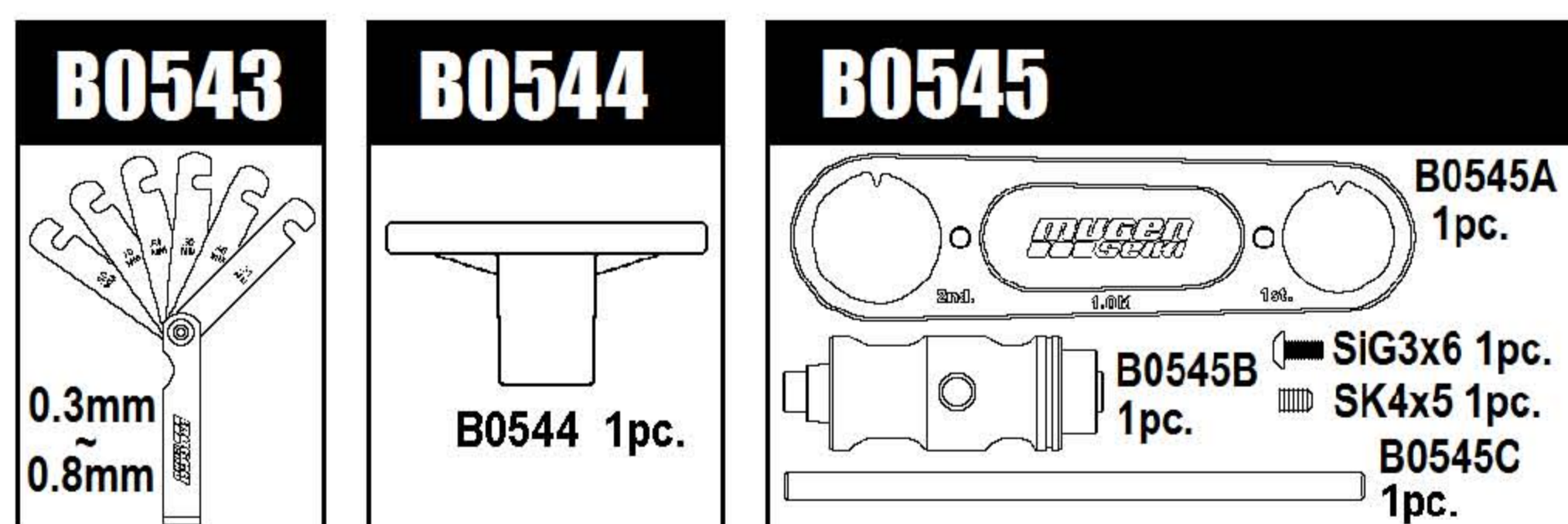
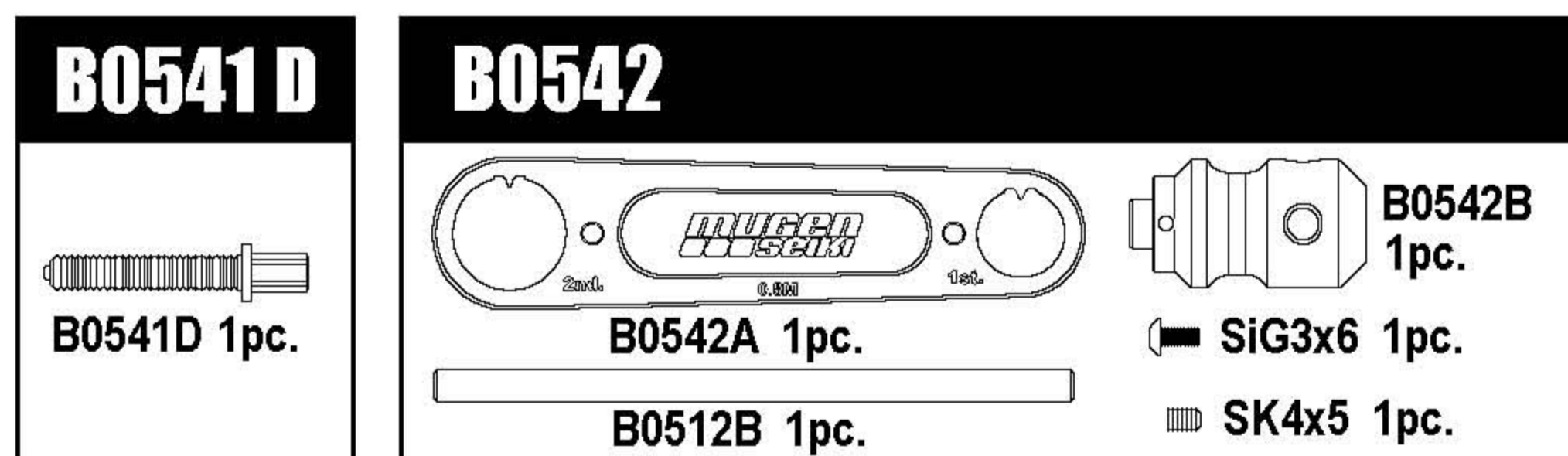
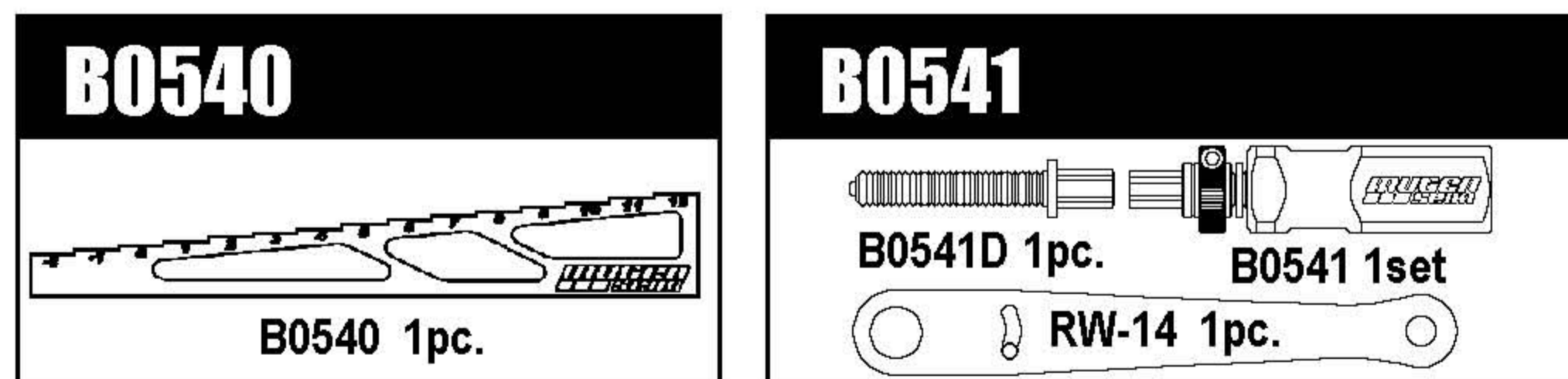
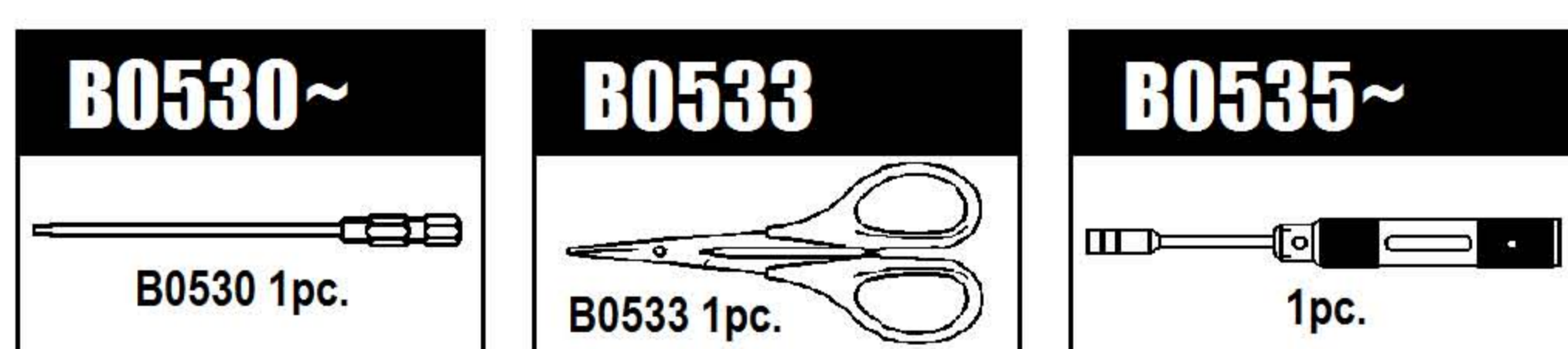
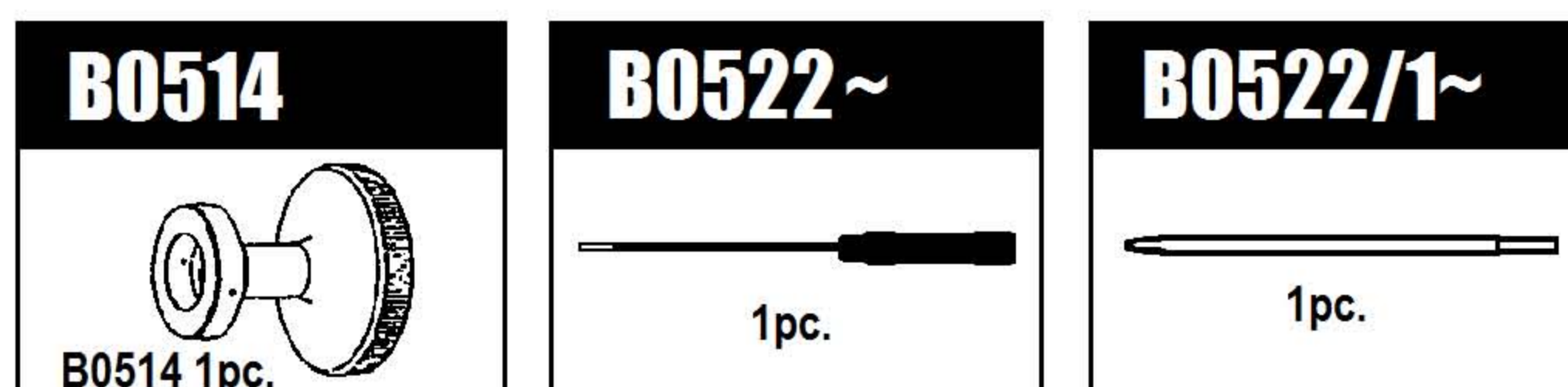
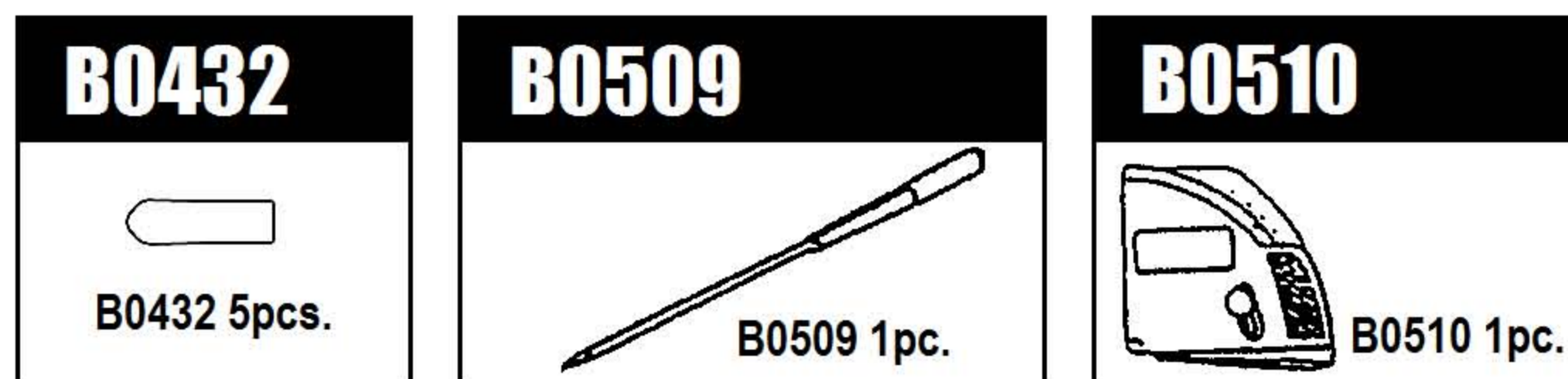
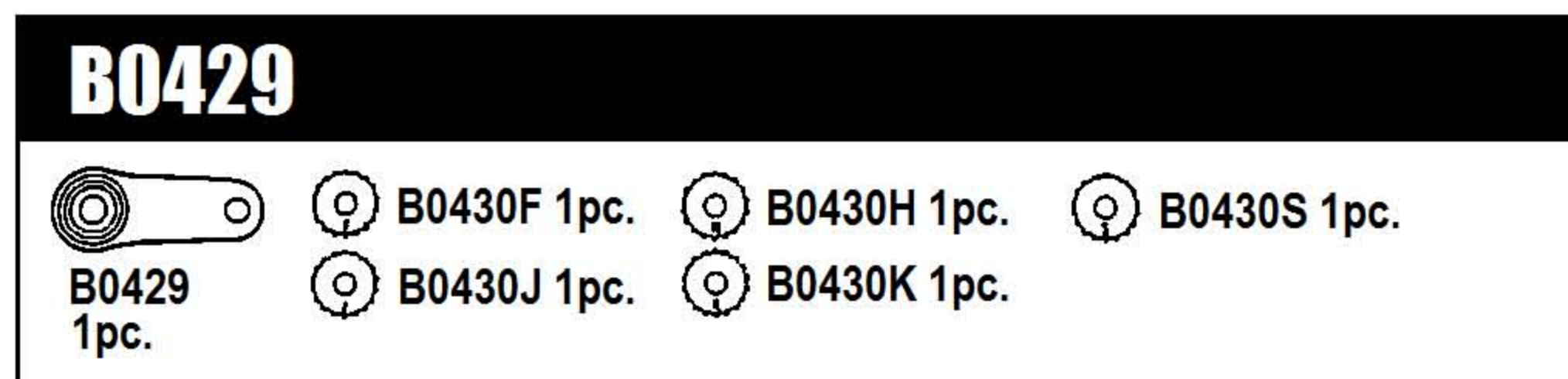
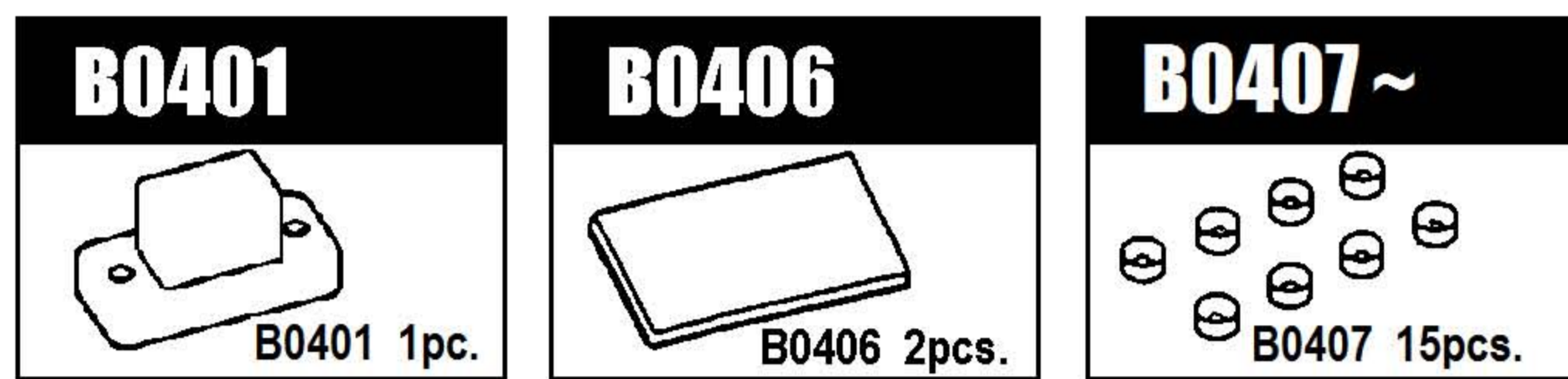
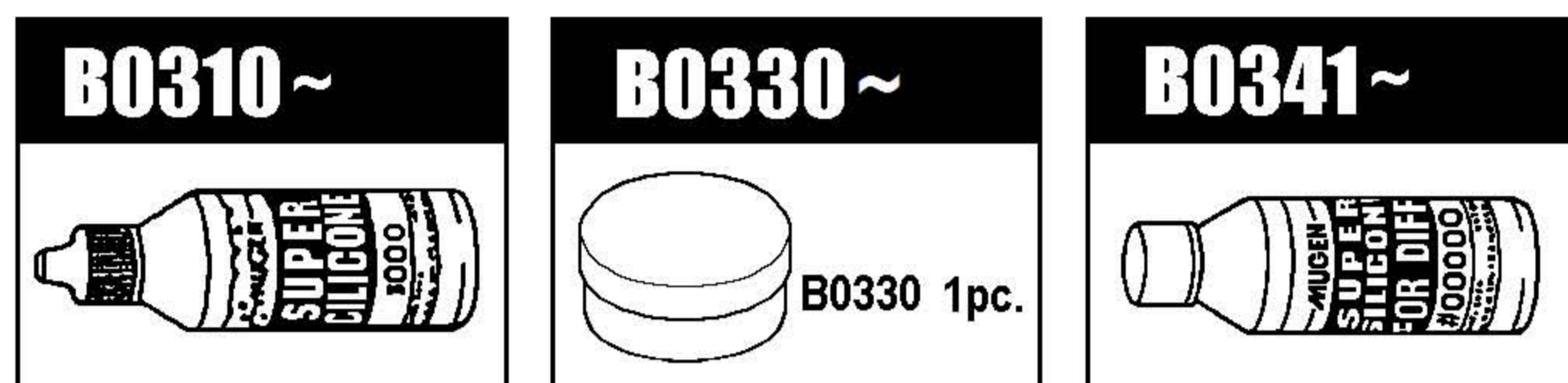
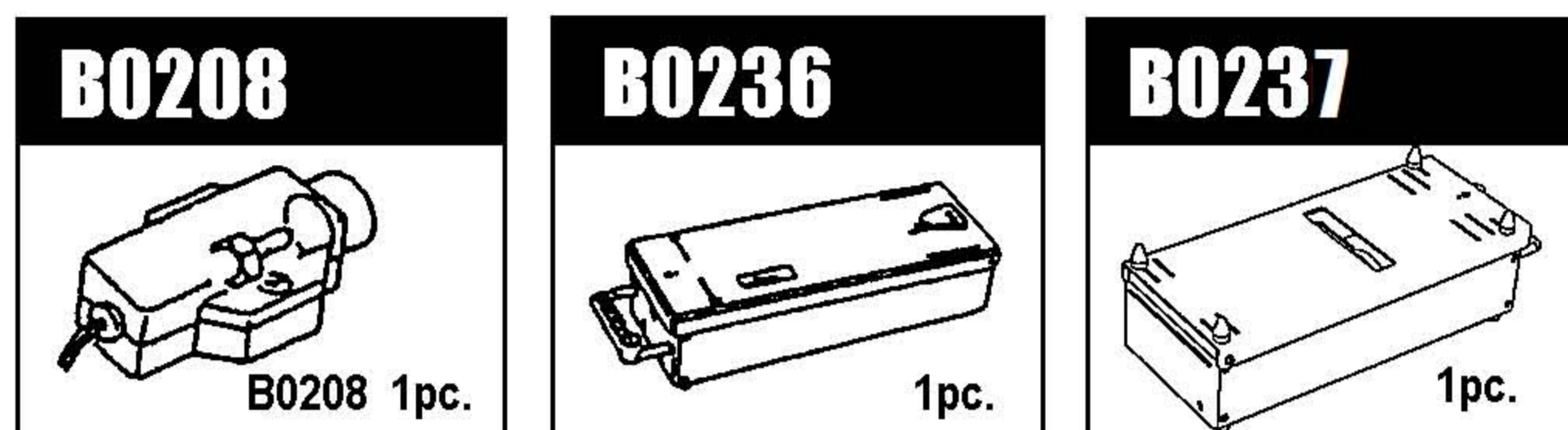
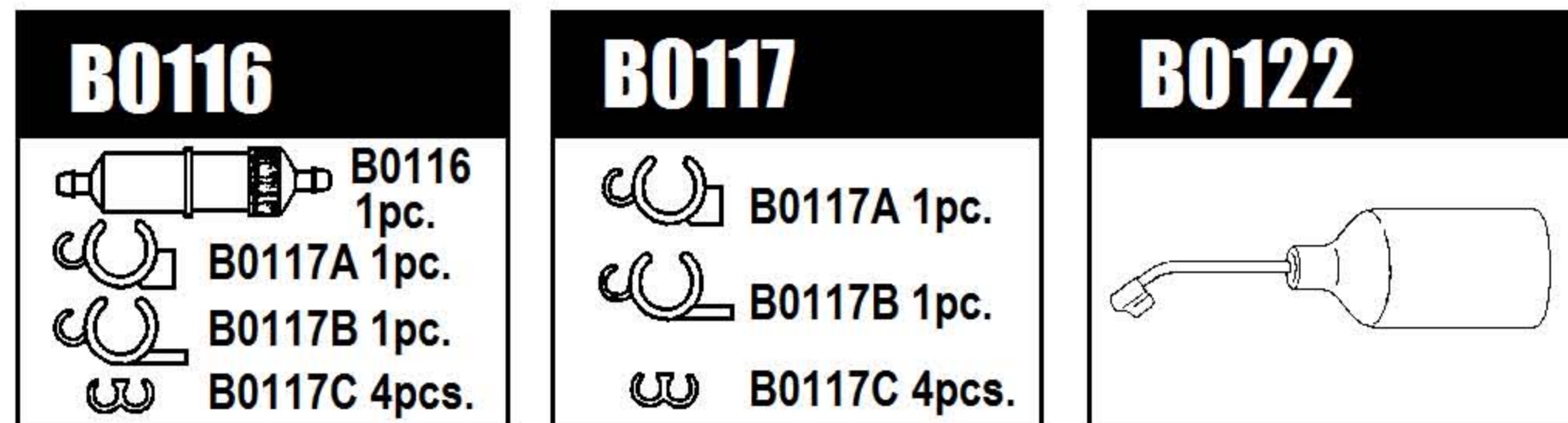


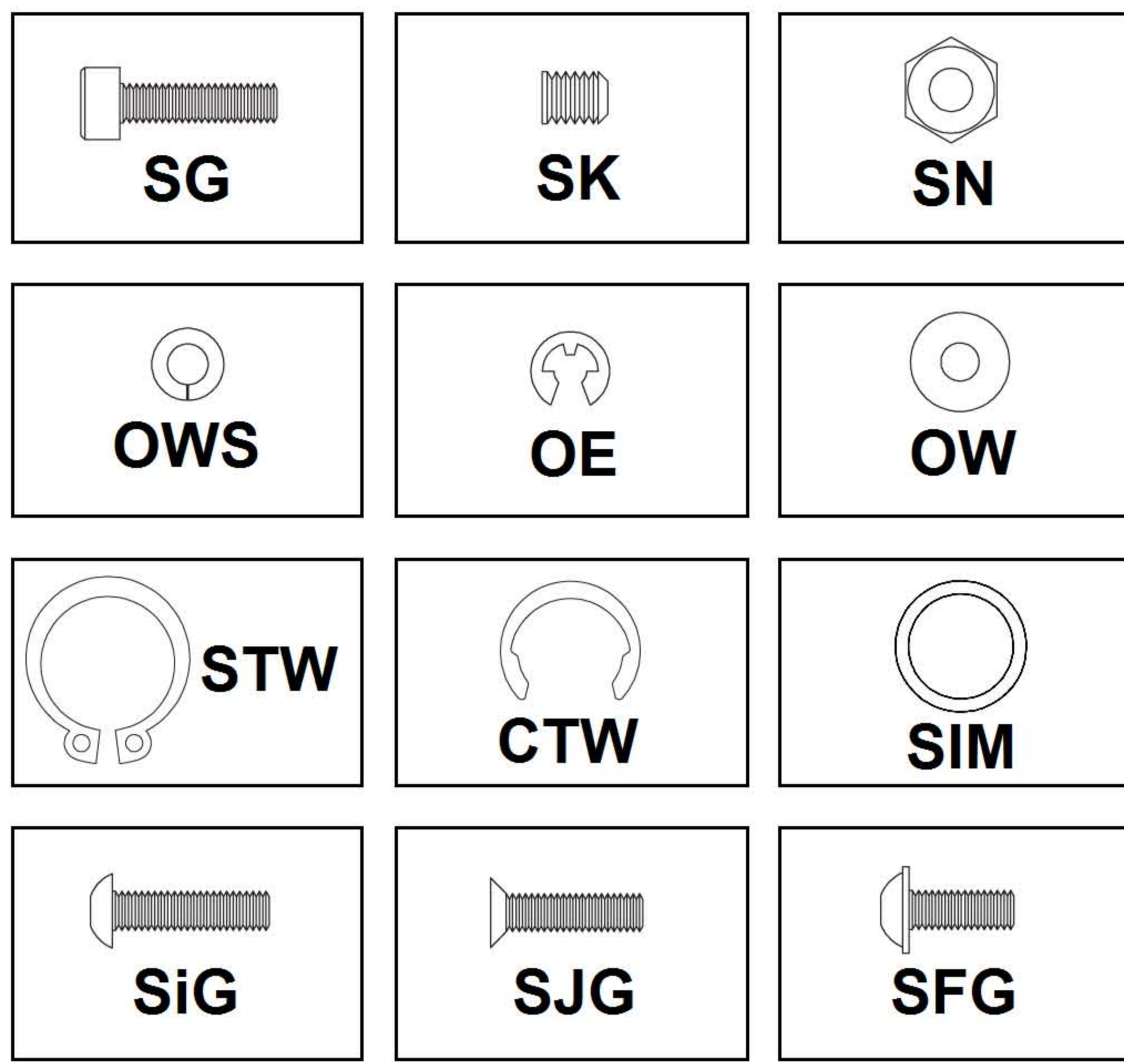
OTHER OPTIONAL PARTS



- B0116 PRESSURE CHAMBER SET
 B0117 PRESSURE CHAMBER MOUNT
 B0122 FUEL BOTTLE 500ml
 B0208 ADAPTER FOR POCKET BOOSTER
 B0236 PRO STARTER R3
 B0237 PRO STARTER B3
 B0244 POCKET BOOSTER
 B0244/1 POCKET BOOSTER (WITH BATTERY)
 B0301 LOCK FIRM LIQUID
 B0303 ENGINE MAINTENANCE OIL
 B0310 SUPER SILICONE #100
 B0311 SUPER SILICONE #150
 B0312 SUPER SILICONE #200
 B0313 SUPER SILICONE #250
 B0314 SUPER SILICONE #300
 B0315 SUPER SILICONE #350
 B0316 SUPER SILICONE #400
 B0317a SILICONE FOR DIFF. #10000
 B0318a SILICONE FOR DIFF. #30000
 B0319a SILICONE FOR DIFF. #50000
 B0320B SILICONE FOR DIFF. #100000
 B0321 SILICONE FOR DIFF. #3000
 B0322 SILICONE FOR DIFF. #5000
 B0323 SILICONE FOR DIFF. #7000
 B0324 SILICONE FOR DIFF. #1000
 B0325 SUPER SILICONE #500
 B0326 SUPER SILICONE #600
 B0327 SUPER SILICONE #700
 B0328 SUPER SILICONE #800
 B0330 SUPER JOINT GREASE
 B0332 SUPER SILICONE #450
 B0333 SUPER SILICONE #550
 B0334 SILICONE FOR DIFF. #2000
 B0335 SILICONE FOR DIFF. #4000
 B0337a SILICONE FOR DIFF. #15000
 B0338a SILICONE FOR DIFF. #20000
 B0339 PREMIUM GREASE
 B0340 SUPER ONE-WAY GREASE
 B0341a SILICONE FOR DIFF. #60000
 B0343a SILICONE FOR DIFF. #80000
 B0345 SILICONE FOR DIFF. #200000
 B0347 SILICONE FOR DIFF. #300000
 B0348 SUPER SILICONE #650
 B0349 SILICONE FOR DIFF. #1000000
 B0350 SILICONE FOR DIFF. #6000
 B0351 SILICONE FOR DIFF. #500000
 B0401 SWITCH COVER
 B0406 BOTH SIDE TAPE
 B0407 FLAT WASHER 3mm
 B0408 FLAT WASHER 4mm
 B0413 COLOR SILICONE PIPE GRAY
 B0422 BODY PIN S
 B0428 VELCRO TAPE
 B0429 AL. SERVO HORN SET
 B0430 SERVO HORN PARTS
 B0432 ANTENNA CAP (5pcs.)
 B0509 SETTING DRIVER FOR ENGINE
 B0510 CAMBER GAUGE
 B0514 CLUTCH SPRING ADJ. TOOL
 B0522 (-) 0.5 SCREW DRIVER
 B0523 1.5mm Hex. WRENCH
 B0524 2.0mm Hex. WRENCH
 B0525 2.5mm Hex. WRENCH
 B0526 3.0mm Hex. WRENCH
 B0527 2.0mm Ball-Hex. WRENCH
 B0528 2.5mm Ball-Hex. WRENCH
 B0522/1 (-) 0.5 SCREW DRIVER TIP
 B0523/1 1.5mm Hex. WRENCH TIP
 B0524/1 2.0mm Hex. WRENCH TIP
 B0525/1 2.5mm Hex. WRENCH TIP
 B0526/1 3.0mm Hex. WRENCH TIP
 B0527/1 2.0mm Ball-Hex. WRENCH TIP
 B0528/1 2.5mm Ball-Hex. WRENCH TIP
 B0530 2.0mm Hex. WRENCH TIP FOR ELECTRIC DRIVER
 B0531 2.5mm Hex. WRENCH TIP FOR ELECTRIC DRIVER
 B0533 CURVED SCISSORS
 B0535 BOX WRENCH 5.5mm
 B0536 BOX WRENCH 7.0mm
 B0537 BOX WRENCH 5.0mm
 B0538 PROSPEC Hex. WRENCH SET
 B0539 HEIGHT GAUGE SPACER
 B0540 HEIGHT GAUGE
 B0541 PIN REPLACEMENT TOOL
 B0541D SPARE TIP FOR PIN REPLACEMENT TOOL

- B0542 PINION GEAR TOOL (MTX6/5)
 B0543 THICKNESS GAUGE (FOR CLUTCH)
 B0544 WHEEL NUT WRENCH
 B0545 PINION GEAR TOOL (MRX/MGT7)
 B0546 RIDE HEIGHT GAUGE R
 B0547 RIDE HEIGHT GAUGE B
 B0548 REBOUND STOP GAUGE
 B0549 TURN BUCKLE WRENCH FOR (4mm)
 B0552 ADJ. SERVO HORN AL. 23T(SANWA/KO)
 B0553 ADJ. SERVO HORN AL. 25T(FUTABA)
 B0554 PINION GEAR FOR TOOL MRX (0.8M)
 B0555 8mm/9mm WRENCH (MTC2)

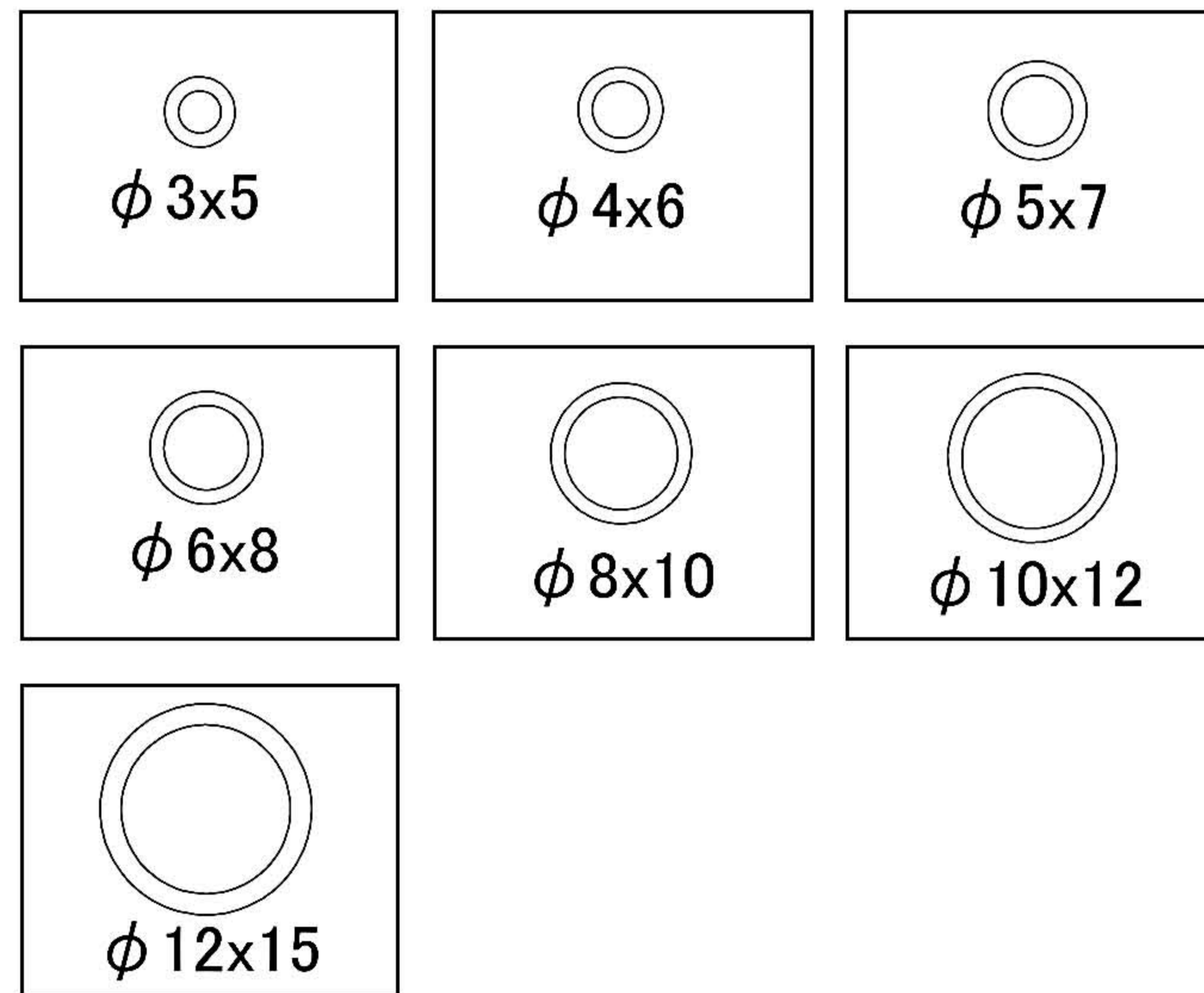
OTHER OPTIONAL PARTS



B0660 SG3x10 CAP SCREW
 B0661 SG3x23 CAP SCREW
 B06601 SG3x25 CAP SCREW
 B06602 SG2x6 CAP SCREW
 B06603 SG2.5x6 CAP SCREW
 B06604 SG2x8 CAP SCREW
 B06605 SG3x18 CAP SCREW
 B06606 SG2x10 CAP SCREW
 B06607 SG2.5x10 CAP SCREW
 B06608 SG2x4 CAP SCREW (8pcs.)
 B0662 SG3x8 CAP SCREW
 B0663 SG3x12 CAP SCREW
 B0664 SG3x16 CAP SCREW
 B0665 SG2.6x12 CAP SCREW
 B0668 SG2x5 CAP SCREW
 B0670 SK3x3 SET SCREW
 B06701 SK3x4 SET SCREW
 B0671 SK3x5 SET SCREW
 B0672 SK3x12 SET SCREW
 B0673 SK3x8 SET SCREW
 B0674 SK3x2.6 SET SCREW (6pcs.)
 B0675 SK3x16 SET SCREW
 B0676 SK3x6 SET SCREW
 B0677 SK3x10 SET SCREW
 B0680 SK4x4 SET SCREW
 B0681 SK4x5 SET SCREW
 B0682 SK4x8 SET SCREW
 B0690 SK5x5 SET SCREW
 B0712 SN2.6 NYLON NUT
 B0713 SN3 NYLON NUT
 B0714 SN4 NYLON NUT
 B0716 AL. FLANGE NUT 4mm (5pcs.)
 B07201 OWS3 SPRING WASHER
 B07202 OE-2.3 E-RING
 B0722 OE-2.5 E-RING
 B0723 OW3x8x0.5 WASHER
 B0724 OE-3 E-RING
 B0725 OW2.5x6x0.5 WASHER
 B0726 OE-5 E-RING
 B0727 OE-7 E-RING
 B0728 STW-14 SNAP RING (5pcs.)
 B0729 CTW-46 C-RING
 B0730 SiG3x8 B/H SCREW
 B07301 SiG3x23 B/H SCREW
 B07303 SiG4x10 B/H SCREW
 B07304 SiG2.5x8 B/H SCREW
 B07305 SiG3x5 B/H SCREW
 B07306 SiG2x6 B/H SCREW (8pcs.)
 B07307 SiG2x3 B/H SCREW (8pcs.)
 B0731 SiG3x10 B/H SCREW
 B0732 SiG3x12 B/H SCREW
 B0733 SiG3x14 B/H SCREW
 B0734 SiG3x16 B/H SCREW
 B0735 SiG3x18 B/H SCREW
 B0736 SiG3x6 B/H SCREW
 B0737 SiG3x20 B/H SCREW
 B0739 SiG3x4 B/H SCREW
 B0740 SJG3x8 F/H SCREW
 B07401 SJG2x8 F/H SCREW (8pcs.)
 B0741 SJG3x10 F/H SCREW
 B0742 SJG3x6 F/H SCREW
 B0743 SJG3x12 F/H SCREW
 B0746 SJG4x8 F/H SCREW
 B0747 SJG4x10 F/H SCREW
 B0748 SJG4x15 F/H SCREW
 B0749 SJG4x20 F/H SCREW
 B0750 SJG4x12 F/H SCREW
 B0752 SJG3x16 F/H SCREW
 B0753 SJG3x5 F/H SCREW
 B0754 SJG2x6 F/H SCREW
 B0755 SJG2.5x8 F/H SCREW
 B0756 SJG3x14 F/H SCREW
 B0757 SJG2x10 F/H SCREW (8pcs.)
 B0758 SJG2x16 F/H SCREW (8pcs.)
 B0759 SJG2.5x6 F/H SCREW
 B0761 SFG3x6 BF/H SCREW
 B0762 SFG3x8 BF/H SCREW

B0730Ta SiG3x8 B/H TITANIUM SCREW
 B07301Ta SiG3x23 B/H TITANIUM SCREW
 B07302Ta SiG3x28 B/H TITANIUM SCREW
 B07303T SiG3x5 B/H TITANIUM SCREW
 B0731Ta SiG3x10 B/H TITANIUM SCREW
 B0732Ta SiG3x12 B/H TITANIUM SCREW
 B0733Ta SiG3x14 B/H TITANIUM SCREW
 B0734Ta SiG3x16 B/H TITANIUM SCREW
 B0735Ta SiG3x18 B/H TITANIUM SCREW
 B0736Ta SiG3x6 B/H TITANIUM SCREW
 B0737Ta SiG3x20 B/H TITANIUM SCREW
 B0739T SiG3x4 B/H TITANIUM SCREW
 B0740Ta SJG3x8 F/H TITANIUM SCREW
 B0741Ta SJG3x10 F/H TITANIUM SCREW
 B0742Ta SJG3x6 F/H TITANIUM SCREW
 B0743Ta SJG3x12 F/H TITANIUM SCREW
 B0746T SJG4x8 F/H TITANIUM SCREW(4pcs.)
 B0747T SJG4x10 F/H TITANIUM SCREW
 B0748T SJG4x15 F/H TITANIUM SCREW
 B0750T SJG4x12 F/H TITANIUM SCREW
 B0751T SJG3x32 F/H TITANIUM SCREW(4pcs.)
 B0752Ta SJG3x16 F/H TITANIUM SCREW
 B0753Ta SJG3x5 F/H TITANIUM SCREW
 B0756Ta SJG3x14 F/H TITANIUM SCREW
 B0763T SJG4x20 F/H TITANIUM SCREW(4pcs.)

NEW PARTS



B0763 SHIM SET φ 3x5 (0.1/0.2/0.3 10ea.)
 B0764 SHIM SET φ 4x6 (0.1/0.2/0.3 10ea.)
 B0765 SHIM SET φ 5x7 (0.1/0.2/0.3 10ea.)
 B0766 SHIM SET φ 6x8 (0.1/0.2/0.3 10ea.)
 B0767 SHIM SET φ 8x10 (0.1/0.2/0.3 10ea.)
 B0768 SHIM SET φ 10x12 (0.1/0.2/0.3 10ea.)
 B0769 SHIM SET φ 12x15 (0.1/0.2/0.3 10ea.)